

Product catalogue



Together we create a better future

At Glob-el, our mission is to build lasting partnerships rooted in trust, collaboration, and shared purpose. We approach business with the spirit of teamwork—driven by passion to create solutions that make life safer, easier, and more sustainable.

Along the way, we support one another, grow together, respect the environment, and bring a sense of enjoyment to what we do. Our goal is to be a lifelong partner, delivering high-value products and service with professionalism and care. Through this commitment, we believe we can help shape a better future for all.

Your trusted partner in electrical innovation and excellence

With over 35 years of expertise in electrical engineering and product manufacturing, Glob-el delivers trusted solutions for both professionals and DIY users.

Our product range includes more than 3,000 items, designed for quality, safety and ease of use. We work closely with industry professionals to develop products that meet real-world needs and help them work more efficiently. Innovation drives us forward and with over 150 patents, we continually develop new technologies to meet evolving industry demands.

At Glob-el, we're committed to powering progress with smart, reliable and future-focused electrical products.

Contents

Universal series for wooden and metal studs

Single outlet boxes.....	16
One-and-a-half outlet boxes.....	25
Ceiling boxes.....	34
Junction boxes.....	37
Pocket boxes.....	41
Multi boxes.....	45
Double boxes.....	47
Big boxes.....	49
Accessories.....	51

Universal series for fabrication and concrete casting

Outlet boxes.....	77
Outlet boxes for solid walls.....	84
Accessories.....	86

Simple series

Outlet boxes.....	93
Junction boxes.....	97
Accessories.....	99

Lime series

Outlet boxes.....	104
Junction boxes.....	107
Bushing insulators.....	109
Accessories.....	111

Cables and wires

Cables and wires.....	122
Cable clips.....	130

Industrial power connections

Plugs and sockets.....	196
Power distribution units.....	211

Corrugated pipes

Corrugated pipes.....	138
Accessories.....	145

Series X product range

Sockets.....	218
Switches and dimmers.....	234
Other products.....	246
Frames.....	258

Surface-mounted outlet boxes

Series X range.....	152
Series P range.....	159

Series P product range

Sockets.....	268
Switches and dimmers.....	298
Perilex, stove sockets & plugs.....	324
Other products.....	328
Frames.....	344

USB and trunking systems

USB modules.....	180
Socket modules.....	186

About us

Glob-el is a seasoned manufacturer of electrical and electronic installation products, serving residential, commercial, and industrial sectors for over 35 years. With production hubs in Lithuania and China, we support customers across Europe and beyond with a diverse portfolio of more than 1,000 reliable, installation-ready items.

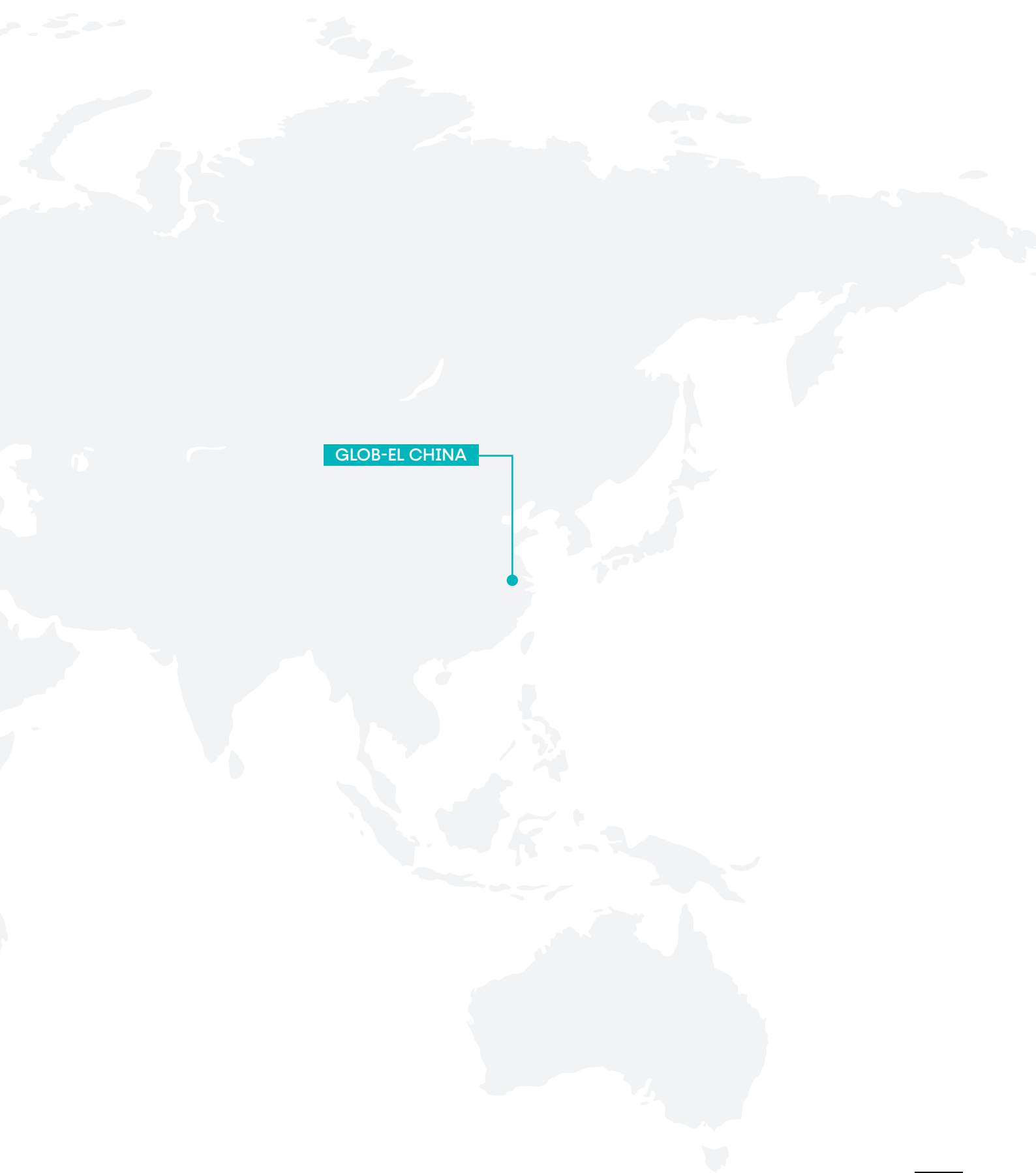
We are more than just a product supplier. From fast-charging USB modules and modular socket systems to specialised wall boxes for concrete casting and cavity walls, every product reflects input from the professionals who use them. We work closely with installers, engineers, and industry specialists to develop practical, scalable solutions that simplify work on-site and deliver long-term value. This hands-on collaboration has helped us secure over 150 patents and a reputation for manufacturing products that are robust, flexible, and future-focused.

Our in-house R&D and OEM/ODM capabilities make us a preferred partner for tailored solutions, while certifications such as TÜV SÜD and Intertek Semko reinforce our commitment to safety and quality. We also place a strong emphasis on sustainability, ensuring our products meet environmental standards and evolving regulatory needs.

At Glob-el, we believe in partnerships that last - built on trust, expertise, and a shared goal of making electrical installations safer, easier, and greener.



GLOB-EL LITHUANIA



GLOB-EL CHINA

Accreditations and certifications

Our certifications and accreditations reflect Glob-el's dedication to delivering high-quality, safe, and reliable products that meet rigorous international standards and industry requirements.



A globally recognised mark of trust, demonstrating a commitment to safety, quality, and sustainability of a product.



Intertek

Products with the S Mark by Intertek show compliance with legal European electrical safety requirements via third-party testing.



This signifies that our products comply with the EU health, safety, and environmental protection laws and regulations.



This demonstrates our organisation's commitment to consistent quality and compliance.



We have implemented a robust environmental management system (EMS) that meets international standards.



We've certified for Magnetic Power Profile technology, which aligns devices and chargers perfectly for improved energy efficiency and faster charging.



The marking indicates that a product meets the UK's safety, health, and environmental protection requirements.



The certification verifies that our products meet the necessary standards for electromagnetic compatibility.

RoHS

The directive verifies that our products meet the necessary standards for electromagnetic compatibility.

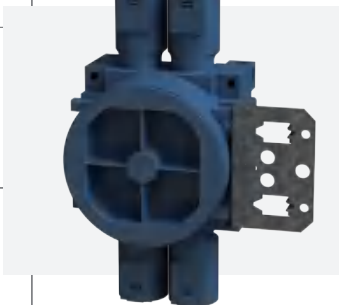
Solutions for every installation

At Glob-el, we provide wall boxes and accessories designed to suit every type of installation, whether it's timber construction, modular housing, hollow walls, or concrete casting.

Our solutions are engineered with the installer in mind, making every step of the process more efficient, reliable, and adaptable to real-world site conditions.

For wooden structures and modular builds, we offer boxes with flexible mounting options—nail-on, screw-fix, or quick-fit—ensuring a stable and time-saving installation. In hollow wall environments, our depth-adjustable boxes, support brackets, and ganging accessories simplify alignment and secure positioning, whether it's single or double plasterboard.

For on-site and prefabricated concrete casting, our high-heat-resistant boxes are compatible with industry-standard magnets and formwork systems. They ensure precise positioning, clean finishes, and reduced installation time, whatever the casting method.



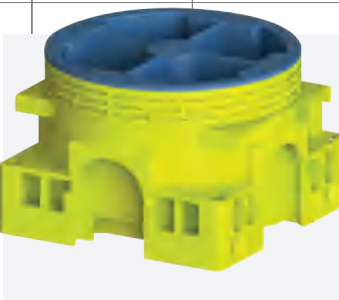
For wooden construction and modular homes

The Universal Series boxes are designed for wooden construction, offering secure and flexible mounting with nail-on or screw-fix options.



For on-site concrete casting and prefabrication

The Universal Series boxes are engineered for on-site and prefabricated concrete applications, featuring robust materials and mounting options compatible with metal and wooden moulds.

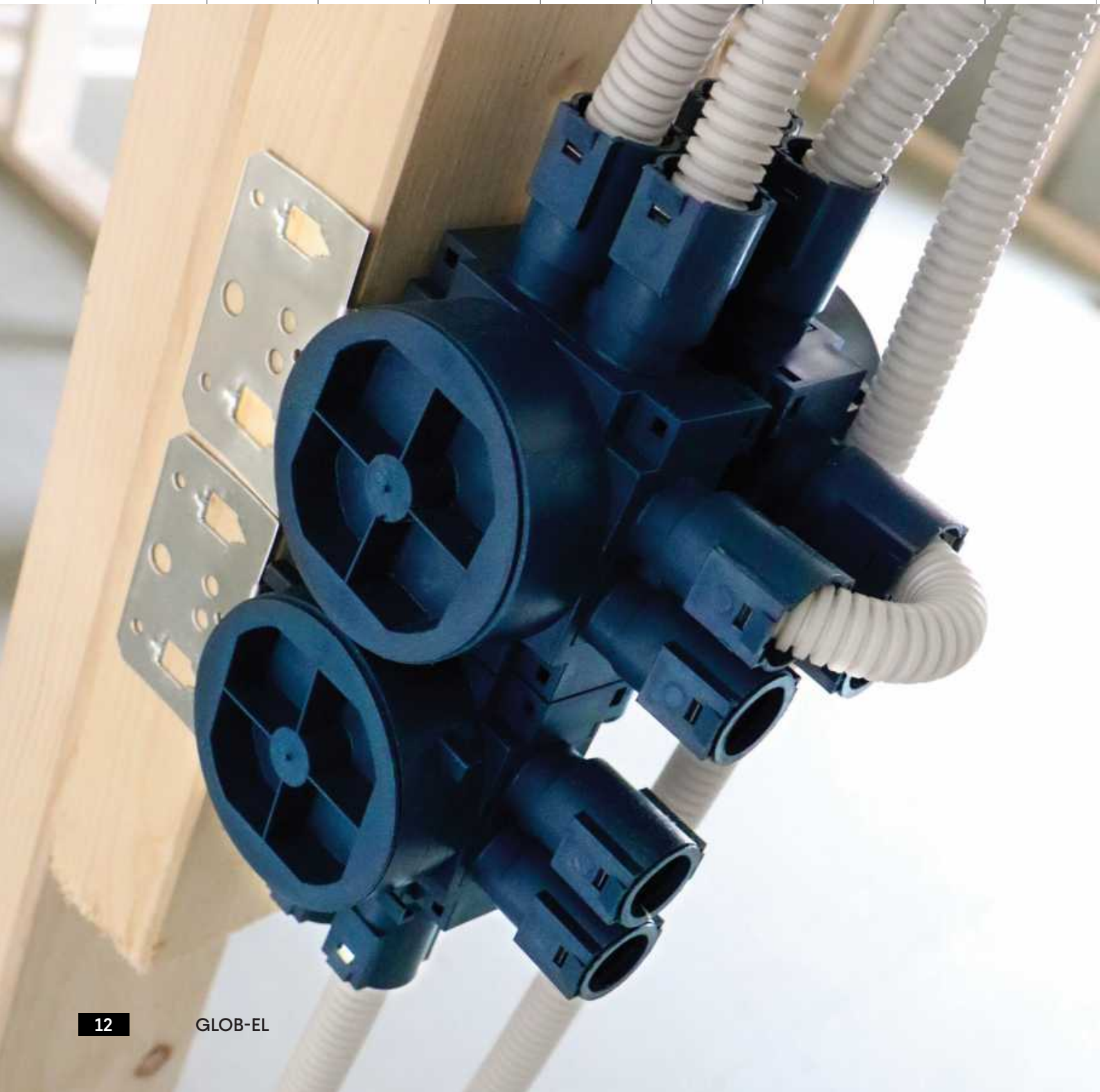


For hollow walls and concrete casting

The Lime Series offers versatile wall and junction boxes designed for both hollow wall installations and concrete casting, ensuring reliability across diverse construction environments.

FOR WOODEN AND METAL STUDS

Universal series



Inlet attachments for wall boxes feature locking springs that securely hold conduits in place. Each conduit entry point is equipped with a removable cap, protecting the interior from debris and dust to ensure a safe installation. These inlets accommodate different conduit diameters, available in 16mm, 20mm, and 25mm sizes.

Single wall boxes feature inner rings that allow easy height adjustments, adding up to an additional 15mm. These inner rings are user-friendly and enhance the box's adaptability to various installation needs. Additionally, a range of rings in different heights is available separately for one-and-a-half and double boxes, ensuring all boxes can be customised to the project's specifications.

Each wall box includes a versatile plastic lid that

safeguards wiring during construction. This lid also functions as a turning tool for adjusting the inner ring in single-wall boxes, ensuring precise height customisation. After installation, the lid can be recycled, promoting environmental sustainability. This dual-purpose design enhances the wall boxes' functionality and eco-friendliness, making them an ideal choice for conscientious installers.

Our wall boxes offer three main fixing methods, you can choose the best fit for your project. Option 1: steel plates with holes allow screwing into wooden or metal studs. Option 2: steel plates with metal pegs enable quick hammering into wooden studs. Option 3: boxes without steel plates can be screwed or nailed directly to studs through side holes. These adaptable solutions ensure secure and quick installation every time.

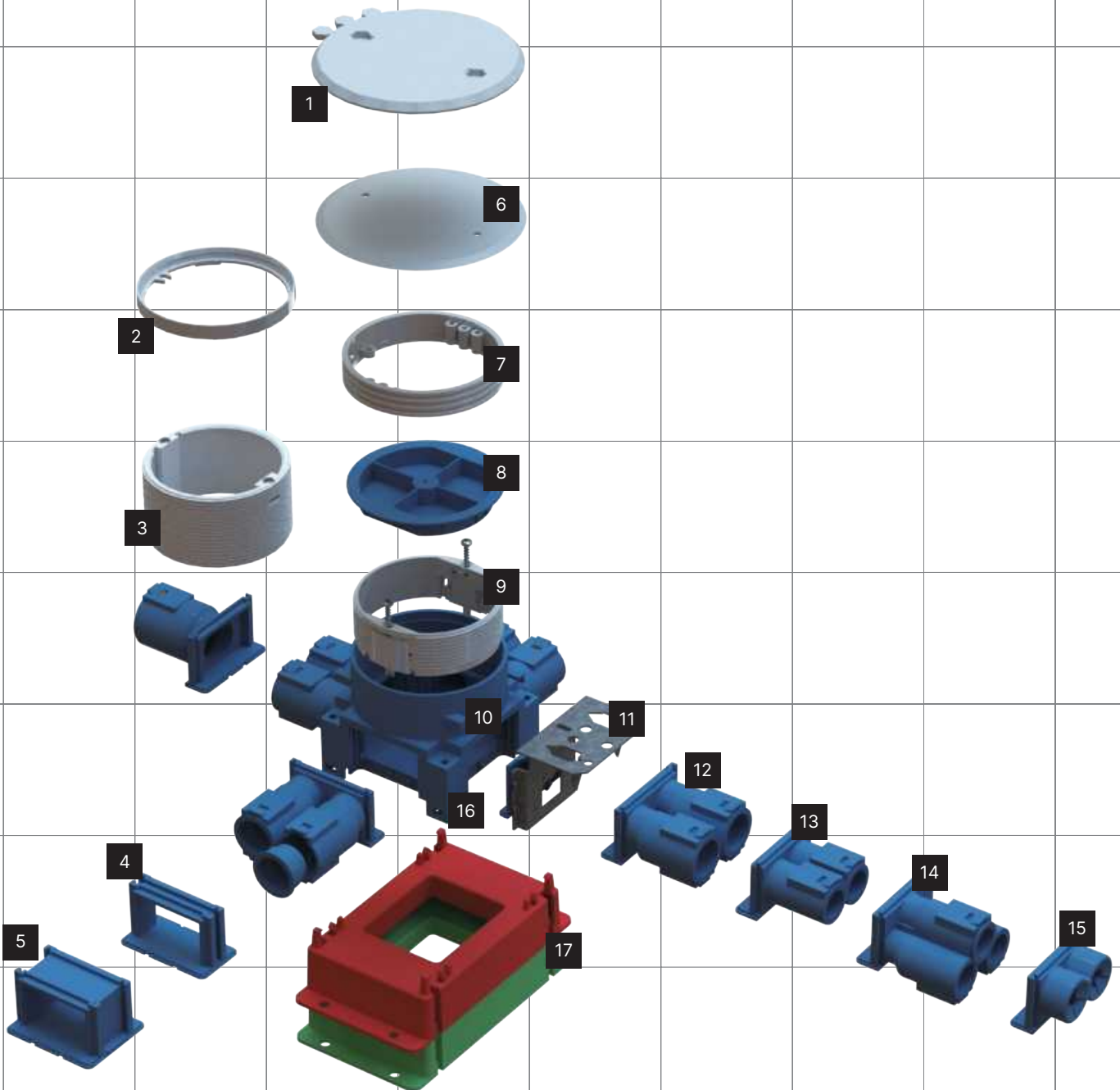
PRODUCT RANGE



MODULAR DESIGN THAT'S EASY TO USE

With various heights and dimensions, our boxes can be customised using a range of inlet attachments, joining frames, and different fixing plates. Boxes can also be joined together, ensuring seamless integration and adaptability.

Wide range of accessories



- 1** Box cover, Ø90mm, with screw covers.
- 2** Extension ring, height 6mm
- 3** Additional inner ring, height 37mm
- 4** Connection piece for joining boxes together with cc distance of 71mm between them.
- 5** Connection piece for joining boxes together with cc distance of 84mm between them.
- 6** Box cover, Ø90mm
- 7** Extension ring, height 12mm. It can be stacked to height of 24mm.
- 8** Plastic lid included with every box.
- 9** Turnable inner ring with fixing centre 60mm and 3M.
- 10** Boxes comes in two sizes. Single plasterboard boxes 12-13mm and double plasterboard boxes 24-26mm.

- 11** Steel fastening plate. Two versions available - one with pins for hammering to wooden studs & another used with screws.
- 12** Inlet attachment for Ø16 and Ø20 conduits. It features locking springs and sealing caps.
- 13** Inlet attachment for two Ø16 conduits. It features locking springs and sealing caps.
- 14** Inlet attachment for three Ø16 conduits. It features locking springs and sealing caps.
- 15** Coupling bushes with tension reliefs for MMJ and EKK cables: 3G1.5mm² and 3G2.5mm². The diameter for those two are 9mm and 10mm.
- 16** 3.5×3.5 square nails can be used to hammer wall boxes directly to wooden studs.
- 17** Spacers with 18, 22, 25, 30 and 34mm height available. Can be stacked to 66, 70, 95 and 120mm to adjust to different height wooden studs.

Outlet boxes



Single base box for single plasterboard

ETM676S IP30 PP HALOGEN FREE

Colour: blue
 Certificates: CE, Semko
 Conforms with: LVD, RoHS, WEEE
 Complies with the standards: IEC 60670-1
 Fire hazard test: 850°C (IEC60695-2-11)
 Working temperature: -25°C to +60°C;
 Installation temperature: -5°C to +25°C

This base wall box is designed for single plasterboard installations (12mm) and comes without inlet attachments. It features an adjustable inner ring, allowing you to customise the height for a perfect fit. The included lid protects wiring during construction and can be recycled post-installation. Equipped with 2x Ø16mm and 2x Ø20mm knockout inlets at the back.

REFERENCE	PACKAGING OPTIONS	
ETM676S	1PCS	120PCS

Single base box for double plasterboard

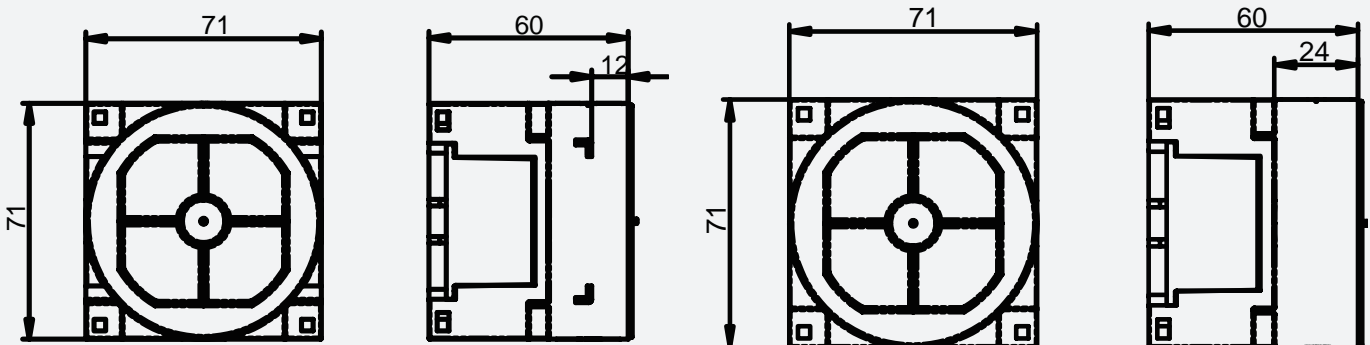
ETM606S IP30 PP HALOGEN FREE

Colour: blue
 Certificates: CE, Semko
 Conforms with: LVD, RoHS, WEEE
 Complies with the standards: IEC 60670-1
 Fire hazard test: 850°C (IEC60695-2-11)
 Working temperature: -25°C to +60°C;
 Installation temperature: -5°C to +25°C

This base wall box is designed for double plasterboard installations (24mm) and comes without inlet attachments. It features an adjustable inner ring, allowing you to customise the height for a perfect fit. The included lid protects wiring during construction and can be recycled post-installation. Equipped with 2x Ø16mm and 2x Ø20mm knockout inlets at the back.

REFERENCE	PACKAGING OPTIONS	
ETM606S	1PCS	120PCS

Technical drawings





Single wall box for single plasterboard with Ø16/Ø20mm inlets

ETM672S

IP30

PP

HALOGEN FREE

Colour: blue
 Certificates: CE, Semko
 Conforms with: LVD, RoHS, WEEE
 Complies with the standards: IEC 60670-1
 Fire hazard test: 850°C (IEC60695-2-11)
 Working temperature: -25°C to +60°C;
 Installation temperature: -5°C to +25°C

This single plasterboard (12mm) wall box features an inner ring for precise height adjustment and includes two double inlet attachments compatible with Ø16mm and Ø20mm conduits. It comes with a protective lid and the attachments are equipped with conduit locking springs and entry plugs for secure and convenient installation.

REFERENCE	PACKAGING OPTIONS	
ETM672S	1PCS	700PCS



Single wall box for double plasterboard with Ø16/Ø20mm inlets

ETM631S

IP30

PP

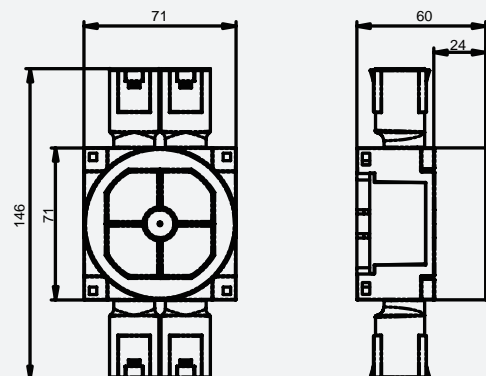
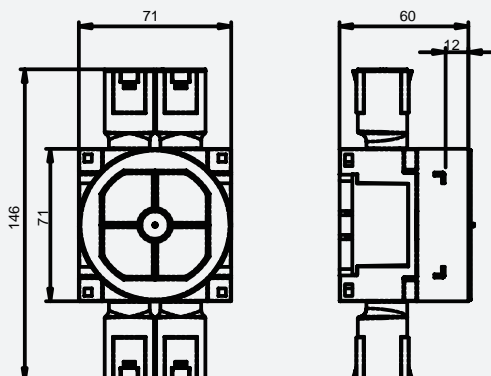
HALOGEN FREE

Colour: blue
 Certificates: CE, Semko
 Conforms with: LVD, RoHS, WEEE
 Complies with the standards: IEC 60670-1
 Fire hazard test: 850°C (IEC60695-2-11)
 Working temperature: -25°C to +60°C;
 Installation temperature: -5°C to +25°C

Designed for double plasterboard walls (24mm), this wall box features an inner ring for height adjustment and includes two double inlet attachments compatible with Ø16mm and Ø20mm conduits. The box comes with a protective lid, while the attachments feature conduit locking springs and entry plugs for secure and easy installation.

REFERENCE	PACKAGING OPTIONS	
ETM631S	1PCS	85PCS

Technical drawings



Outlet boxes



Single wall box for single plasterboard with Ø16/Ø20mm inlets

Single wall box for double plasterboard with Ø16/Ø20mm inlets

ETM678S **IP30** **PP** **HALOGEN FREE**

ETM387S **IP30** **PP** **HALOGEN FREE**

Colour: blue
 Certificates: CE, Semko
 Conforms with: LVD, RoHS, WEEE
 Complies with the standards: IEC 60670-1
 Fire hazard test: 850°C (IEC60695-2-11)
 Working temperature: -25°C to +60°C;
 Installation temperature: -5°C to +25°C

Colour: blue
 Certificates: CE, Semko
 Conforms with: LVD, RoHS, WEEE
 Complies with the standards: IEC 60670-1
 Fire hazard test: 850°C (IEC60695-2-11)
 Working temperature: -25°C to +60°C;
 Installation temperature: -5°C to +25°C

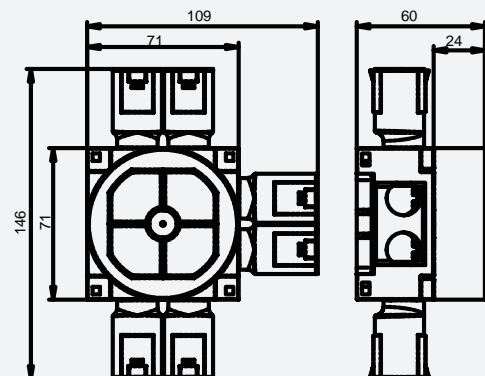
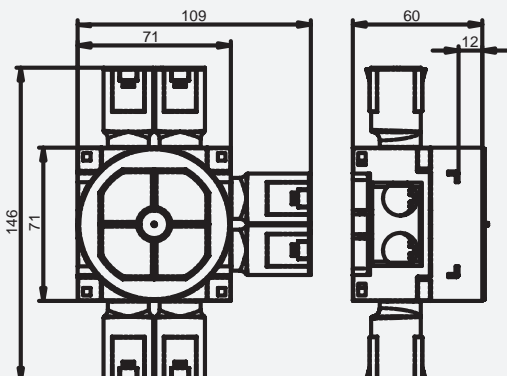
This wall box is designed with an inner ring for precise height adjustment and includes three double inlet attachments suitable for Ø16mm and Ø20mm conduits. It comes with a protective lid, and the attachments are equipped with conduit locking springs and entry plugs for secure installation. Suitable for single plasterboard walls (12mm).

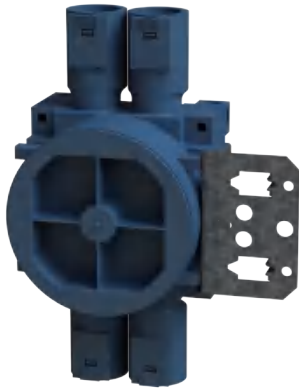
This wall box is designed with an inner ring for precise height adjustment and includes three double inlet attachments suitable for Ø16mm and Ø20mm conduits. It comes with a protective lid, and the attachments are equipped with conduit locking springs and entry plugs for secure installation. Suitable for double plasterboard walls (24mm).

REFERENCE	PACKAGING OPTIONS	
ETM678S	1PCS	520PCS

REFERENCE	PACKAGING OPTIONS	
ETM387S	1PCS	520PCS

Technical drawings





Single wall box for single plasterboard with $\varnothing 16/\varnothing 20$ mm inlets and fixing plate

ETM336S

IP30

PP

HALOGEN FREE

Colour: blue

Certificates: CE, Semko

Conforms with: LVD, RoHS, WEEE

Complies with the standards: IEC 60670-1

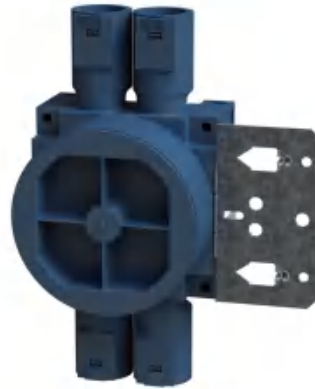
Fire hazard test: 850°C (IEC60695-2-11)

Working temperature: -25°C to +60°C;

Installation temperature: -5°C to +25°C

This single (12mm) plasterboard wall box features an inner ring for precise height adjustment and includes two double inlet attachments compatible with $\varnothing 16$ mm and $\varnothing 20$ mm conduits. It is equipped with a steel plate attachment with pins for easy hammering directly onto wooden studs. The box also comes with a protective lid, and the attachments feature conduit locking springs and entry plugs for secure and convenient installation.

REFERENCE	PACKAGING OPTIONS	
ETM336S	1PCS	560PCS



Single wall box for double plasterboard with $\varnothing 16/\varnothing 20$ mm inlets and fixing plate

ETM335S

IP30

PP

HALOGEN FREE

Colour: blue

Certificates: CE, Semko

Conforms with: LVD, RoHS, WEEE

Complies with the standards: IEC 60670-1

Fire hazard test: 850°C (IEC60695-2-11)

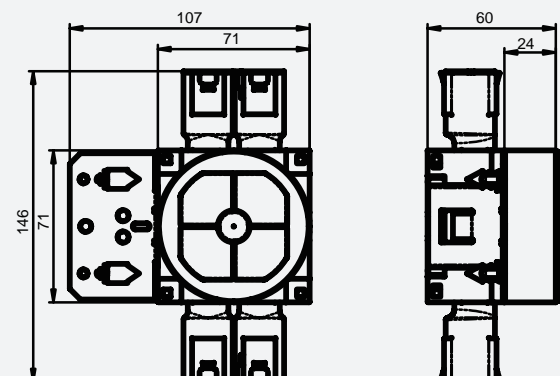
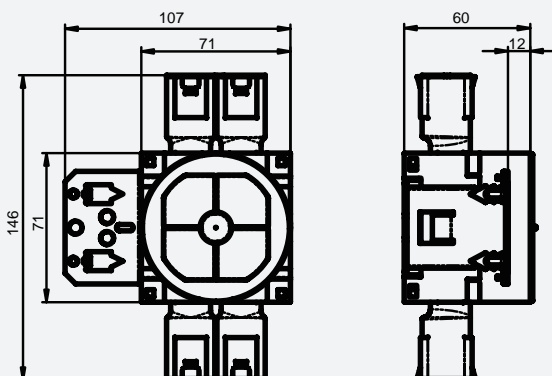
Working temperature: -25°C to +60°C;

Installation temperature: -5°C to +25°C

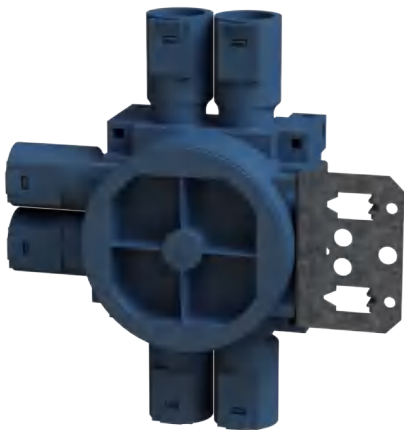
A double (24mm) plasterboard wall box features an inner ring for precise height adjustment and includes two double inlet attachments compatible with $\varnothing 16$ mm and $\varnothing 20$ mm conduits. It is equipped with a steel plate attachment with pins for easy hammering directly onto wooden studs. The box also comes with a protective lid, and the attachments feature conduit locking springs and entry plugs for secure and convenient installation.

REFERENCE	PACKAGING OPTIONS	
ETM335S	1PCS	560PCS

Technical drawings



Outlet boxes



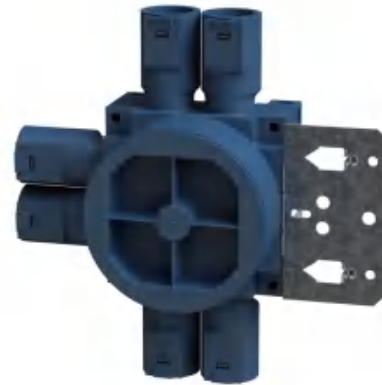
Single wall box for single plasterboard with Ø16/Ø20mm inlets and fixing plate

ETM338S IP30 PP HALOGEN FREE

Colour: blue
 Certificates: CE, Semko
 Conforms with: LVD, RoHS, WEEE
 Complies with the standards: IEC 60670-1
 Fire hazard test: 850°C (IEC60695-2-11)
 Working temperature: -25°C to +60°C;
 Installation temperature: -5°C to +25°C

The single (12mm) plasterboard wall box has an inner ring for height adjustment and includes three double inlets for Ø16mm and Ø20mm conduits. It comes with a steel plate attachment with pins, allowing for easy hammering directly onto wooden studs.

REFERENCE	PACKAGING OPTIONS	
ETM338S	1PCS	400PCS



Single wall box for double plasterboard with Ø16/Ø20mm inlets and fixing plate

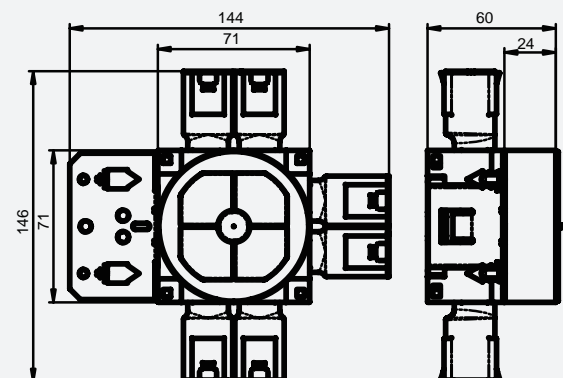
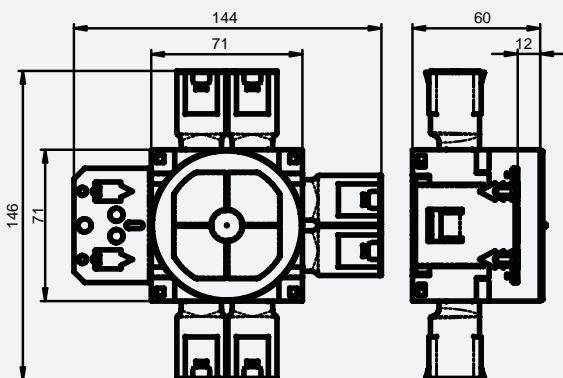
ETM337S IP30 PP HALOGEN FREE

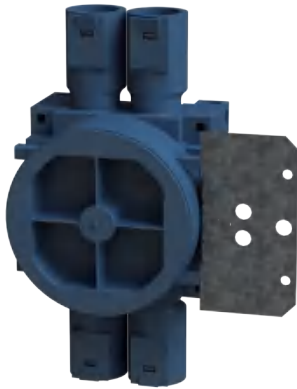
Colour: blue
 Certificates: CE, Semko
 Conforms with: LVD, RoHS, WEEE
 Complies with the standards: IEC 60670-1
 Fire hazard test: 850°C (IEC60695-2-11)
 Working temperature: -25°C to +60°C;
 Installation temperature: -5°C to +25°C

The single (12mm) plasterboard wall box has an inner ring for height adjustment and includes three double inlets for Ø16mm and Ø20mm conduits. It comes with a steel plate attachment with pins, allowing for easy hammering directly onto wooden studs.

REFERENCE	PACKAGING OPTIONS	
ETM337S	1PCS	400PCS

Technical drawings





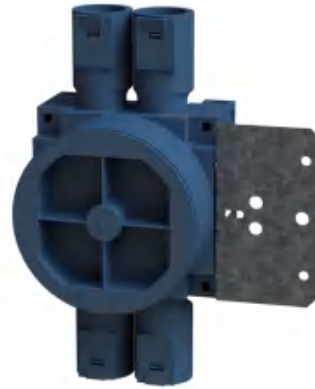
Single wall box for single plasterboard with Ø16/Ø20mm inlets and fixing plate

ETM336SF **IP30** **PP** **HALOGEN FREE**

Colour: blue
 Certificates: CE, Semko
 Conforms with: LVD, RoHS, WEEE
 Complies with the standards: IEC 60670-1
 Fire hazard test: 850°C (IEC60695-2-11)
 Working temperature: -25°C to +60°C;
 Installation temperature: -5°C to +25°C

This single (12mm) plasterboard wall box features an inner ring for precise height adjustment and includes two double inlets for Ø16mm and Ø20mm conduits. It is equipped with a steel plate for screwing onto wooden or metal studs. The box also comes with a protective lid.

REFERENCE	PACKAGING OPTIONS	
ETM336SF	1PCS	560PCS



Single wall box for double plasterboard with Ø16/Ø20mm inlets and fixing plate

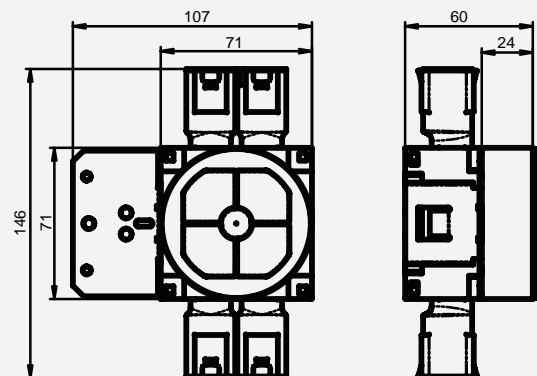
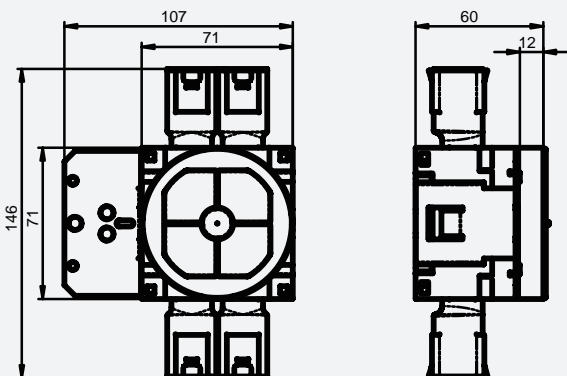
ETM335SF **IP30** **PP** **HALOGEN FREE**

Colour: blue
 Certificates: CE, Semko
 Conforms with: LVD, RoHS, WEEE
 Complies with the standards: IEC 60670-1
 Fire hazard test: 850°C (IEC60695-2-11)
 Working temperature: -25°C to +60°C;
 Installation temperature: -5°C to +25°C

This double (24mm) plasterboard wall box features an inner ring for precise height adjustment and includes two double inlets for Ø16mm and Ø20mm conduits. It is equipped with a steel plate for screwing onto wooden or metal studs. The box also comes with a protective lid.

REFERENCE	PACKAGING OPTIONS	
ETM335SF	1PCS	560PCS

Technical drawings



Outlet boxes



Single wall box for single plasterboard with Ø16/Ø20mm inlets and fixing plate

ETM338SF **IP30** **PP** **HALOGEN FREE**

Colour: blue
 Certificates: CE, Semko
 Conforms with: LVD, RoHS, WEEE
 Complies with the standards: IEC 60670-1
 Fire hazard test: 850°C (IEC60695-2-11)
 Working temperature: -25°C to +60°C;
 Installation temperature: -5°C to +25°C

The single (12mm) plasterboard wall box features an inner ring for height adjustment and includes three double inlets with locking springs for Ø16mm and Ø20mm conduits. It has a steel plate for screwing onto wooden or metal studs. The box also comes with a protective lid.

REFERENCE	PACKAGING OPTIONS	
ETM338SF	1PCS	400PCS



Single wall box for double plasterboard with Ø16/Ø20mm inlets and fixing plate

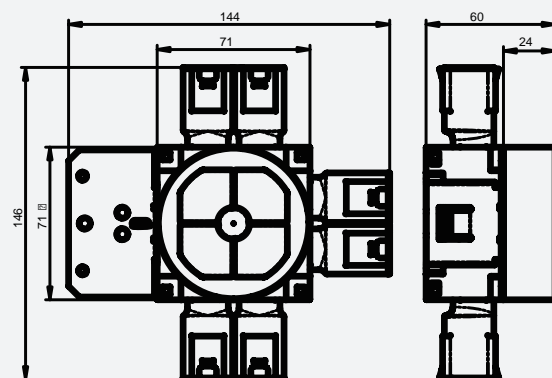
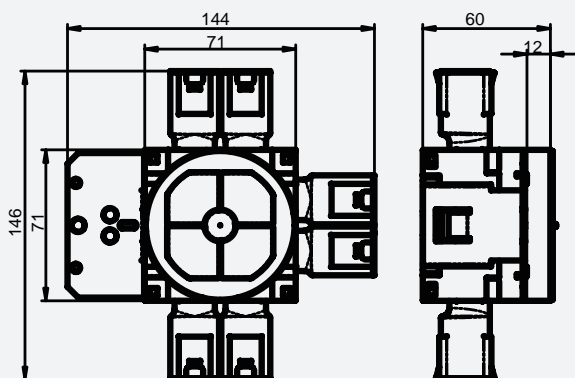
ETM337SF **IP30** **PP** **HALOGEN FREE**

Colour: blue
 Certificates: CE, Semko
 Conforms with: LVD, RoHS, WEEE
 Complies with the standards: IEC 60670-1
 Fire hazard test: 850°C (IEC60695-2-11)
 Working temperature: -25°C to +60°C;
 Installation temperature: -5°C to +25°C

The double (24mm) plasterboard wall box features an inner ring for height adjustment and includes three double inlets with locking springs for Ø16mm and Ø20mm conduits. It has a steel plate for screwing onto wooden or metal studs. The box also comes with a protective lid.

REFERENCE	PACKAGING OPTIONS	
ETM337SF	1PCS	400PCS

Technical drawings





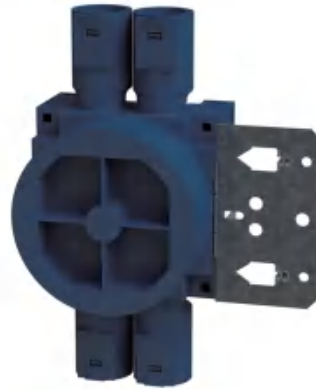
Single wall box for single plasterboard with Ø16/Ø20mm inlets and adjustable fixing plate

ETM335SA IP30 PP HALOGEN FREE

Colour: blue
 Certificates: CE, Semko
 Conforms with: LVD, RoHS, WEEE
 Complies with the standards: IEC 60670-1
 Fire hazard test: 850°C (IEC60695-2-11)
 Working temperature: -25°C to +60°C;
 Installation temperature: -5°C to +25°C

This wall box features adjustable steel plate and has two double inlets with locking plates for Ø16mm and Ø20mm conduits, and a steel plate with pins for easy hammering onto wooden studs. The lid is included.

REFERENCE	PACKAGING OPTIONS	
ETM335SA	1PCS	570PCS



Single wall box for double plasterboard with Ø16/Ø20mm inlets and adjustable fixing plate

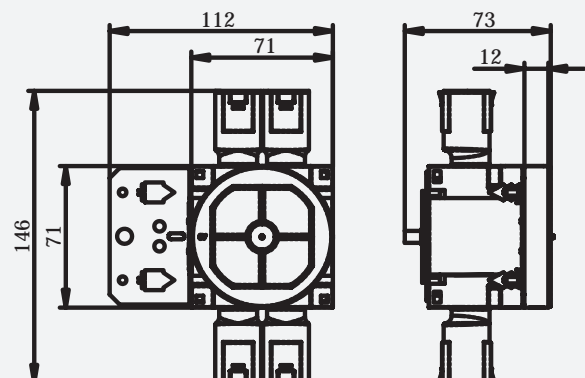
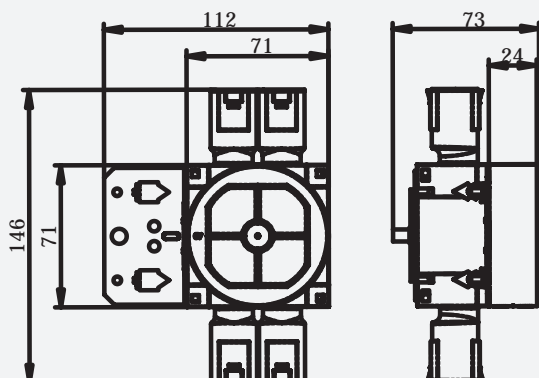
ETM336SA IP30 PP HALOGEN FREE

Colour: blue
 Certificates: CE, Semko
 Conforms with: LVD, RoHS, WEEE
 Complies with the standards: IEC 60670-1
 Fire hazard test: 850°C (IEC60695-2-11)
 Working temperature: -25°C to +60°C;
 Installation temperature: -5°C to +25°C

This wall box includes two double inlet attachments for Ø16mm and Ø20mm conduits, and an adjustable steel plate with pins for easy hammering onto wooden studs. The box comes with a lid, and the inlets feature conduit locking springs and entry sealing plugs, ensuring secure and dust-free installation.

REFERENCE	PACKAGING OPTIONS	
ETM336SA	1PCS	570PCS

Technical drawings



Outlet boxes



Single wall box for single plasterboard with Ø16/Ø20mm inlets and adjustable fixing plate

ETM337SA **IP30** **PP** **HALOGEN FREE**

Colour: blue
 Certificates: CE, Semko
 Conforms with: LVD, RoHS, WEEE
 Complies with the standards: IEC 60670-1
 Fire hazard test: 850°C (IEC60695-2-11)
 Working temperature: -25°C to +60°C;
 Installation temperature: -5°C to +25°C

This wall box includes three double inlet attachments for Ø16mm and Ø20mm conduits, and an adjustable steel plate with pins for easy hammering onto wooden studs. The box comes with a lid, and the inlets feature conduit locking springs and entry sealing plugs, ensuring secure and dust-free installation.

REFERENCE	PACKAGING OPTIONS	
ETM337SA	1PCS	350PCS



Single wall box for double plasterboard with Ø16/Ø20mm inlets and adjustable fixing plate

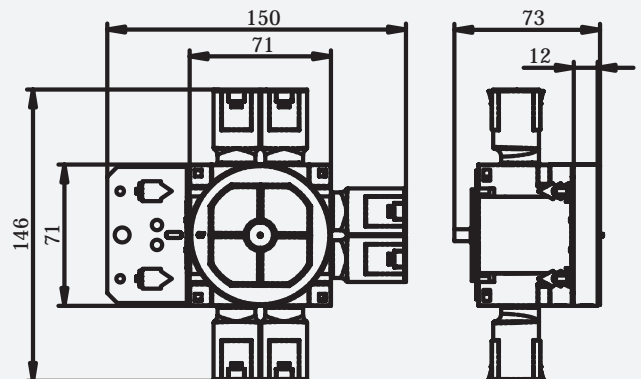
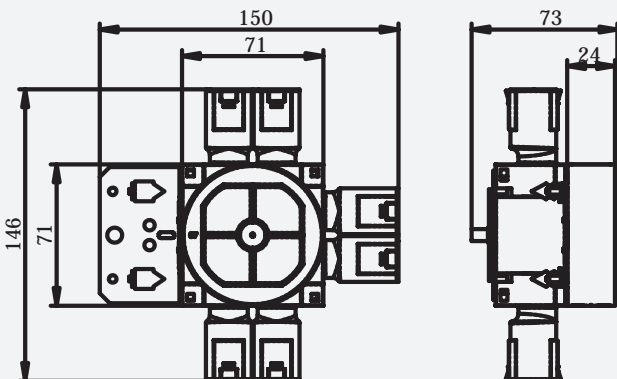
ETM338SA **IP30** **PP** **HALOGEN FREE**

Colour: blue
 Certificates: CE, Semko
 Conforms with: LVD, RoHS, WEEE
 Complies with the standards: IEC 60670-1
 Fire hazard test: 850°C (IEC60695-2-11)
 Working temperature: -25°C to +60°C;
 Installation temperature: -5°C to +25°C

This wall box includes three double inlet attachments for Ø16mm and Ø20mm conduits, and an adjustable steel plate with pins for easy hammering onto wooden studs. The box comes with a lid, and the inlets feature conduit locking springs and entry sealing plugs, ensuring secure and dust-free installation.

REFERENCE	PACKAGING OPTIONS	
ETM338SA	1PCS	350PCS

Technical drawings





1.5 wall box for single plasterboard with Ø16/Ø20mm inlets

ETM673S

IP30

PP

HALOGEN FREE

Colour: blue

Certificates: CE, Semko

Conforms with: LVD, RoHS, WEEE

Complies with the standards: IEC 60670-1

Fire hazard test: 850°C (IEC60695-2-11)

Working temperature: -25°C to +60°C;

Installation temperature: -5°C to +25°C

This blue 1.5 wall box is designed for single plasterboard walls (12mm) and features a 60mm depth. It includes two inlets for Ø16mm and Ø20mm conduits, each fitted with locking plates to securely hold the conduits in place. The box comes with a protective lid and inlet sealing plugs to ensure a dust-proof and secure installation.

REFERENCE	PACKAGING OPTIONS	
ETM673S	1PCS	480PCS



1.5 wall box for double plasterboard with Ø16/Ø20mm inlets

ETM633S

IP30

PP

HALOGEN FREE

Colour: blue

Certificates: CE, Semko

Conforms with: LVD, RoHS, WEEE

Complies with the standards: IEC 60670-1

Fire hazard test: 850°C (IEC60695-2-11)

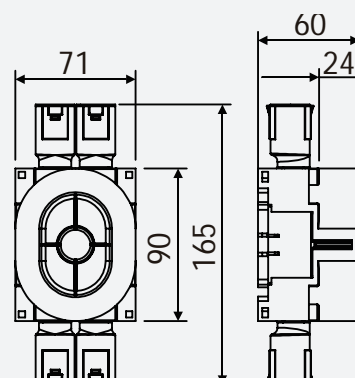
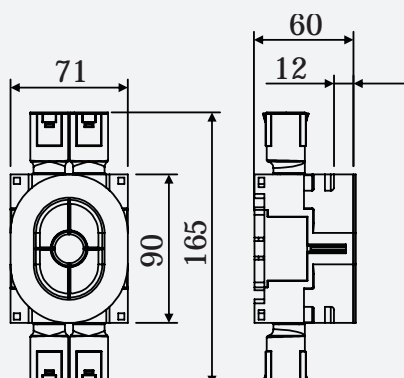
Working temperature: -25°C to +60°C;

Installation temperature: -5°C to +25°C

This blue 1.5 box is designed for double plasterboard walls (24mm) and features a 60mm depth. It includes two inlets for Ø16mm and Ø20mm conduits, each fitted with locking plates to securely hold the conduits in place. The box comes with a protective lid and inlet sealing plugs to ensure a dust-proof and secure installation.

REFERENCE	PACKAGING OPTIONS	
ETM633S	1PCS	480PCS

Technical drawings



Outlet boxes



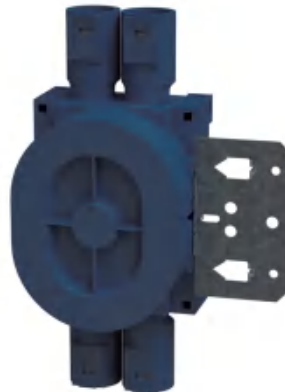
1.5 wall box for single plasterboard with Ø16/Ø20mm inlets and fixing plate

ETM613S IP30 PP HALOGEN FREE

Colour: blue
 Certificates: CE, Semko
 Conforms with: LVD, RoHS, WEEE
 Complies with the standards: IEC 60670-1
 Fire hazard test: 850°C (IEC60695-2-11)
 Working temperature: -25°C to +60°C;
 Installation temperature: -5°C to +25°C

The wall box features a 60mm depth and includes two inlets for Ø16mm and Ø20mm conduits. Each inlet is equipped with locking plates to securely hold conduits in place, and the box comes with sealing plugs to prevent dust ingress. The box also includes a protective lid and a steel plate with pins, allowing for easy hammering directly into wooden studs.

REFERENCE	PACKAGING OPTIONS	
ETM613S	1PCS	480PCS



1.5 wall box for double plasterboard with Ø16/Ø20mm inlets and fixing plate

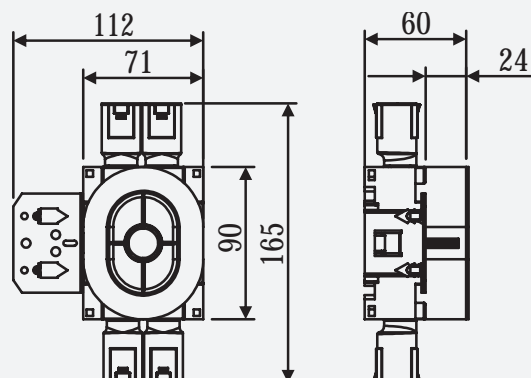
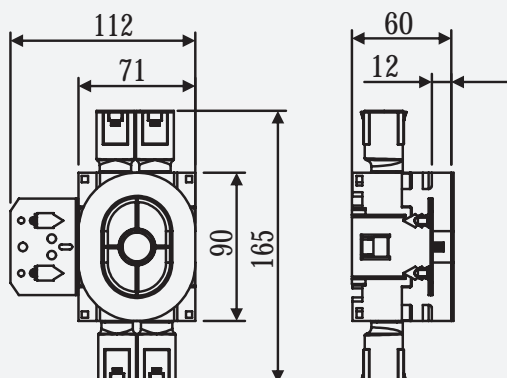
ETM614S IP30 PP HALOGEN FREE

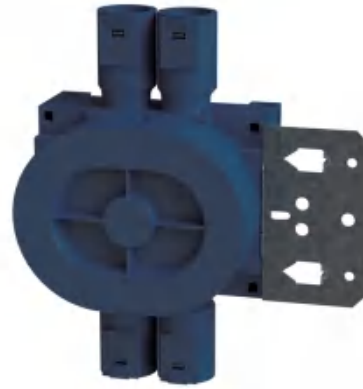
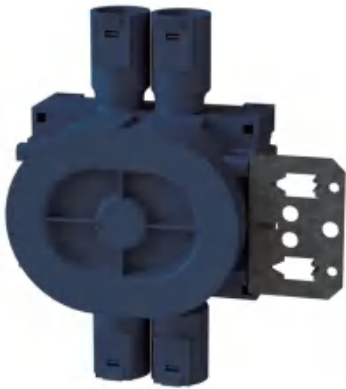
Colour: blue
 Certificates: CE, Semko
 Conforms with: LVD, RoHS, WEEE
 Complies with the standards: IEC 60670-1
 Fire hazard test: 850°C (IEC60695-2-11)
 Working temperature: -25°C to +60°C;
 Installation temperature: -5°C to +25°C

The wall box features a 60mm depth and includes two inlets for Ø16mm and Ø20mm conduits. Each inlet is equipped with locking plates to securely hold conduits in place, and the box comes with sealing plugs to prevent dust ingress. The box also includes a protective lid and a steel plate with pins, allowing for easy hammering directly into wooden studs.

REFERENCE	PACKAGING OPTIONS	
ETM614S	1PCS	480PCS

Technical drawings





1.5 wall box for single plasterboard with Ø16/Ø20mm inlets and fixing plate

ETM615S

IP30

PP

HALOGEN FREE

Colour: blue

Certificates: CE, Semko

Conforms with: LVD, RoHS, WEEE

Complies with the standards: IEC 60670-1

Fire hazard test: 850°C (IEC60695-2-11)

Working temperature: -25°C to +60°C;

Installation temperature: -5°C to +25°C

This horizontal 1.5 wall box is tailored for single plasterboard walls and features a 60mm depth. It includes two inlets for Ø16mm and Ø20mm conduits, each fitted with locking plates to securely hold the conduits in place. The box comes with a protective lid and sealing plugs to ensure a dust-free installation. Additionally, it has a steel plate with pins, making it easy to hammer the box securely into wooden studs.

REFERENCE	PACKAGING OPTIONS	
ETM615S	1PCS	400PCS

1.5 wall box for double plasterboard with Ø16/Ø20mm inlets and fixing plate

ETM616S

IP30

PP

HALOGEN FREE

Colour: blue

Certificates: CE, Semko

Conforms with: LVD, RoHS, WEEE

Complies with the standards: IEC 60670-1

Fire hazard test: 850°C (IEC60695-2-11)

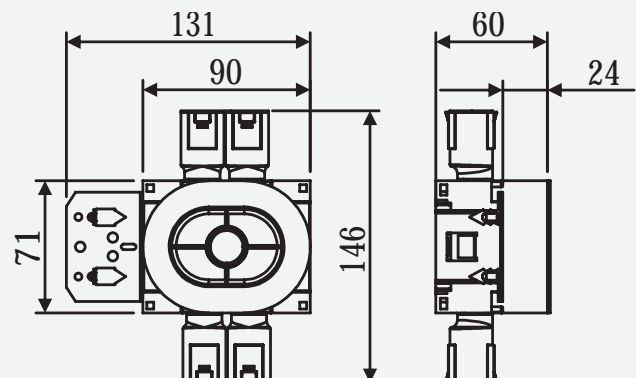
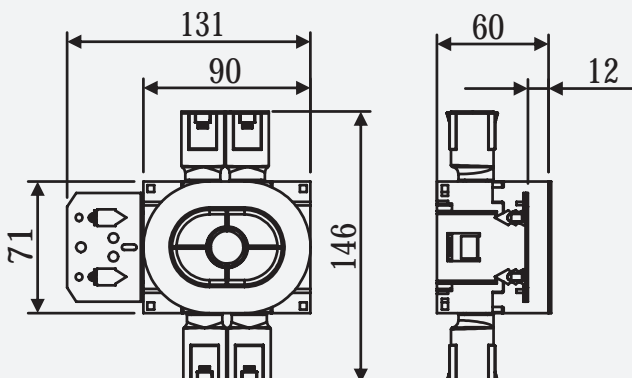
Working temperature: -25°C to +60°C;

Installation temperature: -5°C to +25°C

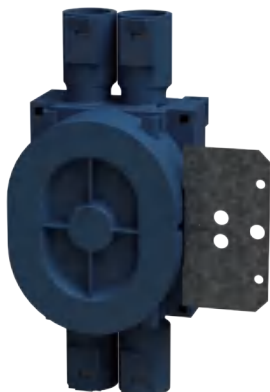
This horizontal 1.5 wall box is tailored for double plasterboard walls and features a 60mm depth. It includes two inlets for Ø16mm and Ø20mm conduits, each fitted with locking plates to securely hold the conduits in place. The box comes with a protective lid and sealing plugs to ensure a dust-free installation. Additionally, it has a steel plate with pins, making it easy to hammer the box securely into wooden studs.

REFERENCE	PACKAGING OPTIONS	
ETM616S	1PCS	400PCS

Technical drawings



Outlet boxes



1.5 wall box for single plasterboard with Ø16/Ø20mm inlets and fixing plate

ETM613SF IP30 PP HALOGEN FREE

Colour: blue
 Certificates: CE, Semko
 Conforms with: LVD, RoHS, WEEE
 Complies with the standards: IEC 60670-1
 Fire hazard test: 850°C (IEC60695-2-11)
 Working temperature: -25°C to +60°C;
 Installation temperature: -5°C to +25°C

The wall box is offering a 60mm depth to accommodate a range of wiring needs. It features two 2x Ø16mm/Ø20mm inlets. The box includes a protective lid and inlet sealing plugs to prevent dust entry. For versatile mounting, it comes with a steel plate that allows for secure attachment to both metal and wooden studs using screws.

REFERENCE	PACKAGING OPTIONS	
ETM613SF	1PCS	480PCS



1.5 wall box for double plasterboard with Ø16/Ø20mm inlets and fixing plate

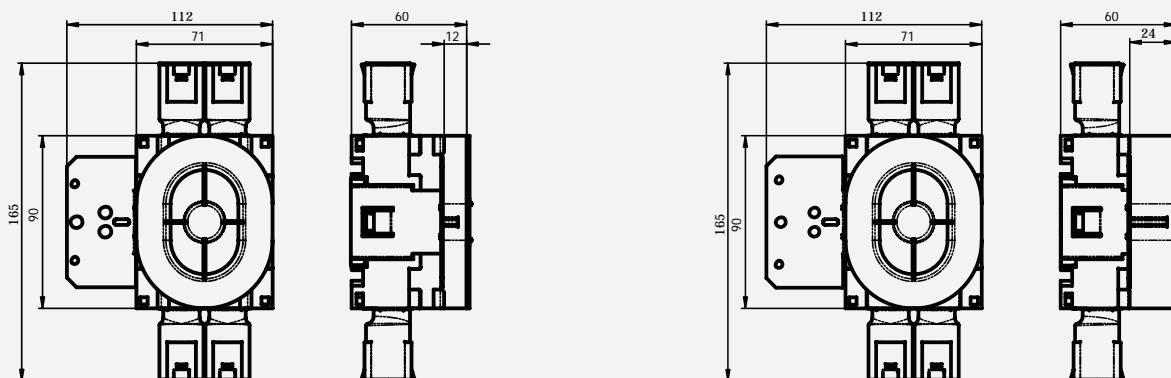
ETM614SF IP30 PP HALOGEN FREE

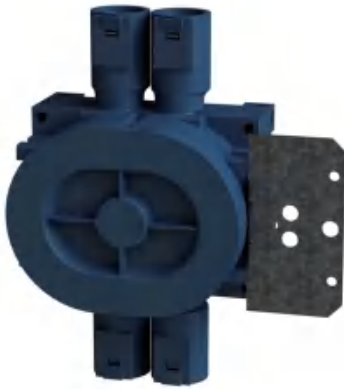
Colour: blue
 Certificates: CE, Semko
 Conforms with: LVD, RoHS, WEEE
 Complies with the standards: IEC 60670-1
 Fire hazard test: 850°C (IEC60695-2-11)
 Working temperature: -25°C to +60°C;
 Installation temperature: -5°C to +25°C

The wall box is offering a 60mm depth to accommodate a range of wiring needs. It features two 2x Ø16mm/Ø20mm inlets. The box includes a protective lid and inlet sealing plugs to prevent dust entry. For versatile mounting, it comes with a steel plate that allows for secure attachment to both metal and wooden studs using screws.

REFERENCE	PACKAGING OPTIONS	
ETM614SF	1PCS	480PCS

Technical drawings





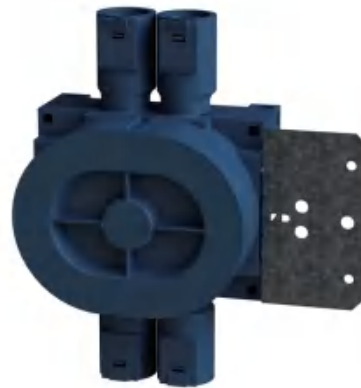
1.5 wall box for single plasterboard with Ø16/Ø20mm inlets and fixing plate

ETM615SF IP30 PP HALOGEN FREE

Colour: blue
 Certificates: CE, Semko
 Conforms with: LVD, RoHS, WEEE
 Complies with the standards: IEC 60670-1
 Fire hazard test: 850°C (IEC60695-2-11)
 Working temperature: -25°C to +60°C;
 Installation temperature: -5°C to +25°C

The horizontal 1.5 wall box is offering a 60mm depth to accommodate a range of wiring needs. It features two 2xØ16/20mm conduit inlets, each with locking plates to ensure a secure connection. The box includes a protective lid and inlet sealing plugs to prevent dust entry. For versatile mounting, it comes with a steel plate that allows for secure attachment to both metal and wooden studs using screws.

REFERENCE	PACKAGING OPTIONS	
ETM615SF	1PCS	400PCS



1.5 wall box for double plasterboard with Ø16/Ø20mm inlets and fixing plate

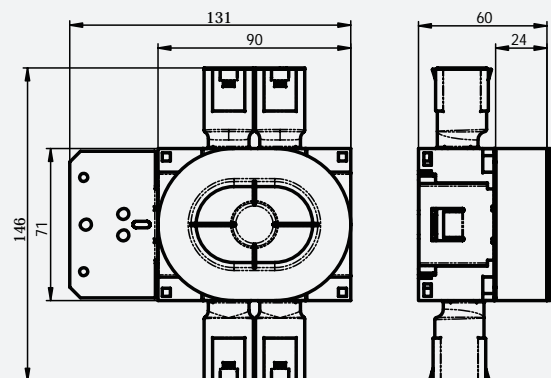
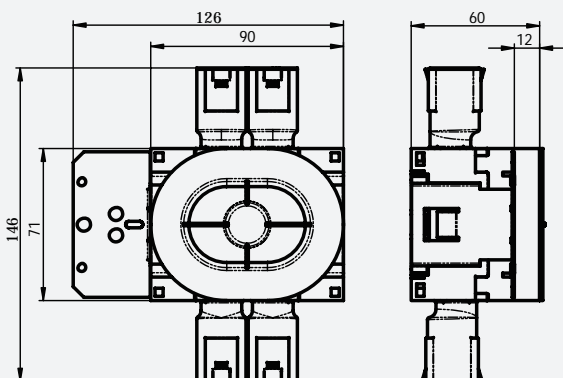
ETM616SF IP30 PP HALOGEN FREE

Colour: blue
 Certificates: CE, Semko
 Conforms with: LVD, RoHS, WEEE
 Complies with the standards: IEC 60670-1
 Fire hazard test: 850°C (IEC60695-2-11)
 Working temperature: -25°C to +60°C;
 Installation temperature: -5°C to +25°C

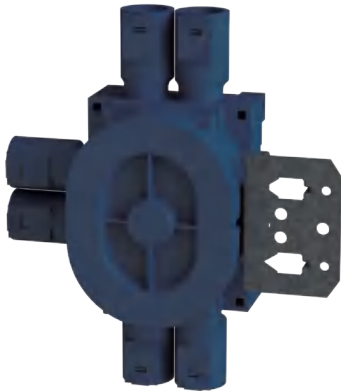
The horizontal 1.5 wall box is offering a 60mm depth to accommodate a range of wiring needs. It features two 2xØ16/20mm conduit inlets, each with locking plates. The box includes a protective lid and inlet sealing plugs to prevent dust entry. For versatile mounting, it comes with a steel plate that allows for secure attachment to both metal and wooden studs using screws.

REFERENCE	PACKAGING OPTIONS	
ETM616SF	1PCS	400PCS

Technical drawings



Outlet boxes



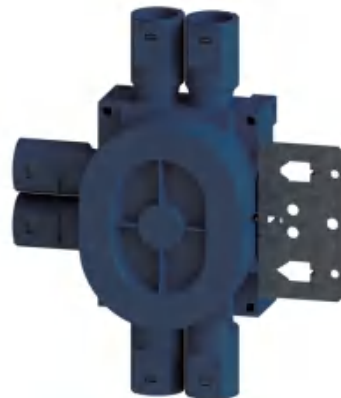
1.5 wall box for single plasterboard with Ø16/Ø20mm inlets and fixing plate

ETM693S IP30 PP HALOGEN FREE

Colour: blue
 Certificates: CE, Semko
 Conforms with: LVD, RoHS, WEEE
 Complies with the standards: IEC 60670-1
 Fire hazard test: 850°C (IEC60695-2-11)
 Working temperature: -25°C to +60°C;
 Installation temperature: -5°C to +25°C

This wall box is designed for single plasterboard walls, featuring three double inlets for Ø16mm and Ø20mm conduits. Each inlet is equipped with locking plates to secure the conduits, and the box includes a lid along with sealing plugs to prevent dust ingress. It also comes with a steel plate with pins for easy hammering into wooden studs.

REFERENCE	PACKAGING OPTIONS	
ETM693S	1PCS	320PCS



1.5 wall box for double plasterboard with Ø16/Ø20mm inlets and fixing plate

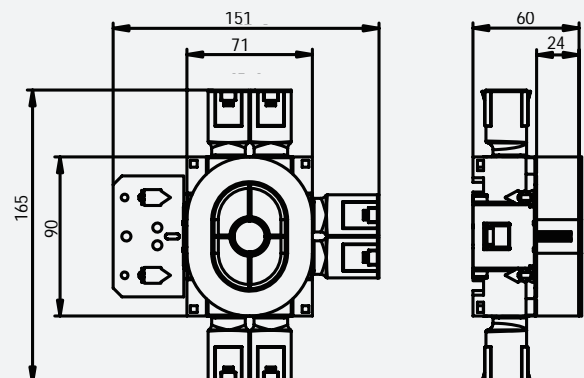
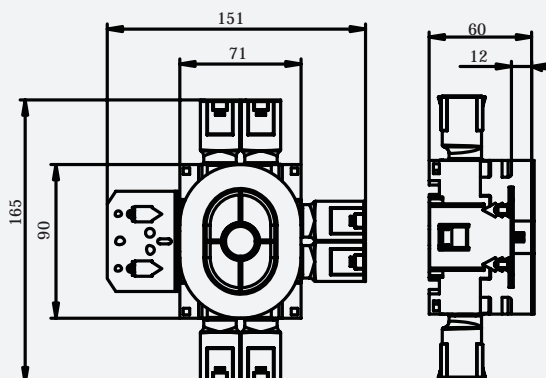
ETM697S IP30 PP HALOGEN FREE

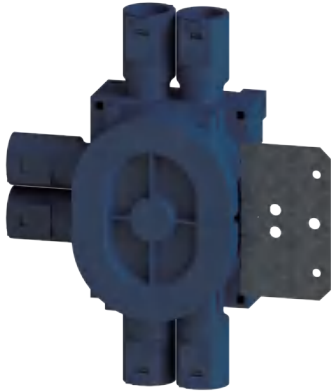
Colour: blue
 Certificates: CE, Semko
 Conforms with: LVD, RoHS, WEEE
 Complies with the standards: IEC 60670-1
 Fire hazard test: 850°C (IEC60695-2-11)
 Working temperature: -25°C to +60°C;
 Installation temperature: -5°C to +25°C

This wall box is designed for double plasterboard walls, featuring three double inlets for Ø16mm and Ø20mm conduits. Each inlet is equipped with locking plates to secure the conduits, and the box includes a lid along with sealing plugs to prevent dust ingress. It also comes with a steel plate with pins for easy hammering into wooden studs.

REFERENCE	PACKAGING OPTIONS	
ETM697S	1PCS	

Technical drawings





1.5 wall box for single plasterboard with Ø16/Ø20mm inlets and fixing plate

ETM693SF

IP30

PP

HALOGEN FREE

Colour: blue

Certificates: CE, Semko

Conforms with: LVD, RoHS, WEEE

Complies with the standards: IEC 60670-1

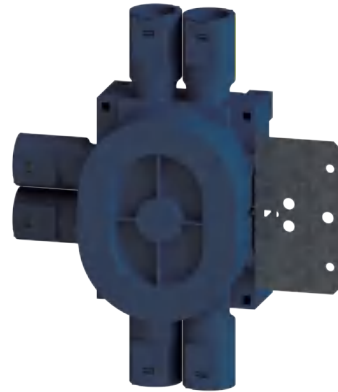
Fire hazard test: 850°C (IEC60695-2-11)

Working temperature: -25°C to +60°C;

Installation temperature: -5°C to +25°C

This wall box is designed for single plasterboard walls, featuring three 2x Ø16/Ø20mm inlets. Each inlet is equipped with locking plates to secure the conduits, and the box includes a lid along with sealing plugs to prevent dust ingress. For versatile mounting, it comes with a steel plate that allows for secure attachment to both metal and wooden studs using screws.

REFERENCE	PACKAGING OPTIONS
ETM693SF	1PCS



1.5 wall box for double plasterboard with Ø16/Ø20mm inlets and fixing plate

ETM697SF

IP30

PP

HALOGEN FREE

Colour: blue

Certificates: CE, Semko

Conforms with: LVD, RoHS, WEEE

Complies with the standards: IEC 60670-1

Fire hazard test: 850°C (IEC60695-2-11)

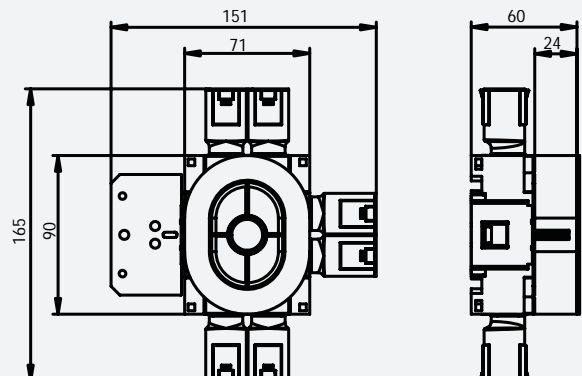
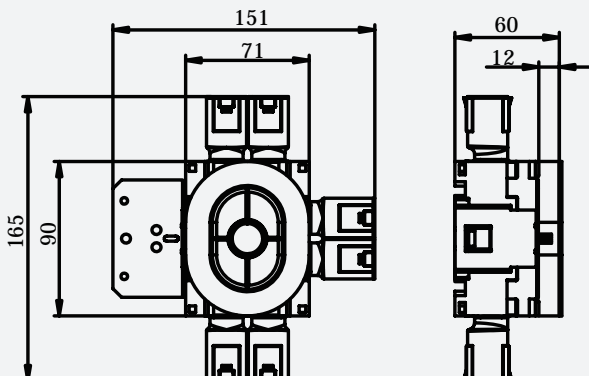
Working temperature: -25°C to +60°C;

Installation temperature: -5°C to +25°C

Designed for double plasterboard walls, the box features three 3x Ø16/20mm conduit inlets. Each inlet is equipped with locking plates to secure the conduits, and the box includes a lid along with sealing plugs to prevent dust ingress. For versatile mounting, it comes with a steel plate that allows for secure attachment to both metal and wooden studs using screws.

REFERENCE	PACKAGING OPTIONS
ETM697SF	1PCS

Technical drawings



Outlet boxes



1.5 wall box for single plasterboard with Ø16/Ø20mm inlets and fixing plate

ETM698S IP30 PP HALOGEN FREE

Colour: blue
 Certificates: CE, Semko
 Conforms with: LVD, RoHS, WEEE
 Complies with the standards: IEC 60670-1
 Fire hazard test: 850°C (IEC60695-2-11)
 Working temperature: -25°C to +60°C;
 Installation temperature: -5°C to +25°C

This horizontal wall box is designed for single plasterboard walls, featuring three 2x Ø16/Ø20mm inlets. Each inlet is equipped with locking plates to secure the conduits, and the box includes a lid along with sealing plugs to prevent dust ingress. It also comes with a steel plate with pins for easy hammering into wooden studs.

REFERENCE	PACKAGING OPTIONS	
ETM698S	1PCS	340PCS



1.5 wall box for double plasterboard with Ø16/Ø20mm inlets and fixing plate

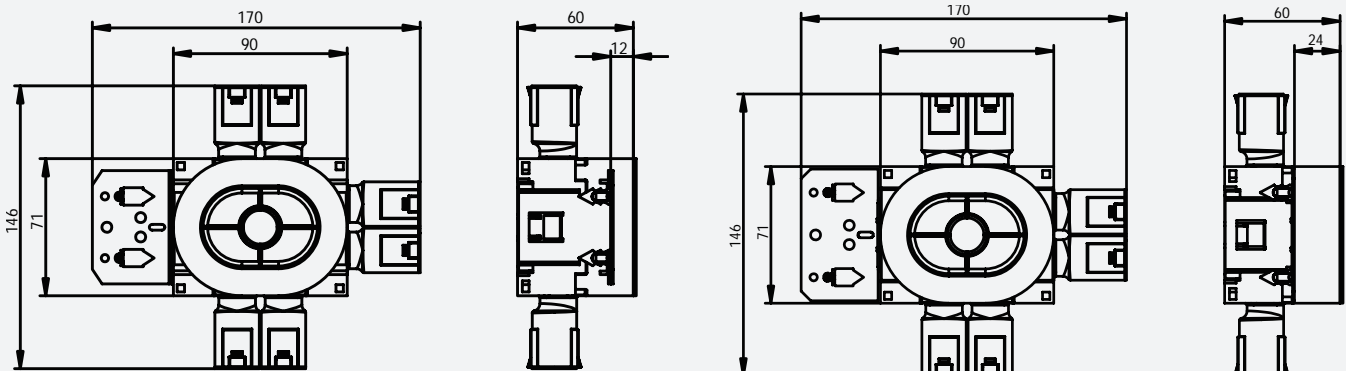
ETM699S IP30 PP HALOGEN FREE

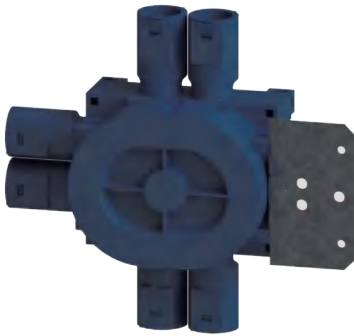
Colour: blue
 Certificates: CE, Semko
 Conforms with: LVD, RoHS, WEEE
 Complies with the standards: IEC 60670-1
 Fire hazard test: 850°C (IEC60695-2-11)
 Working temperature: -25°C to +60°C;
 Installation temperature: -5°C to +25°C

This horizontal wall box is designed for double plasterboard walls, featuring three 2x Ø16/Ø20mm inlets. Each inlet is equipped with locking plates to secure the conduits, and the box includes a lid along with sealing plugs to prevent dust ingress. It also comes with a steel plate with pins for easy hammering into wooden studs.

REFERENCE	PACKAGING OPTIONS	
ETM699S	1PCS	

Technical drawings





1.5 wall box for single plasterboard with Ø16/Ø20mm inlets and fixing plate

ETM698SF IP30 PP HALOGEN FREE

Colour: blue
 Certificates: CE, Semko
 Conforms with: LVD, RoHS, WEEE
 Complies with the standards: IEC 60670-1
 Fire hazard test: 850°C (IEC60695-2-11)
 Working temperature: -25°C to +60°C;
 Installation temperature: -5°C to +25°C

This horizontal wall box features three 2xØ16/20mm conduit inlets. Each inlet is equipped with locking plates to secure the conduits, and the box includes a lid along with sealing plugs to prevent dust ingress. For versatile mounting, it comes with a steel plate that allows for secure attachment to both metal and wooden studs using screws.

REFERENCE	PACKAGING OPTIONS
ETM698SF	1PCS



1.5 wall box for double plasterboard with Ø16/Ø20mm inlets and fixing plate

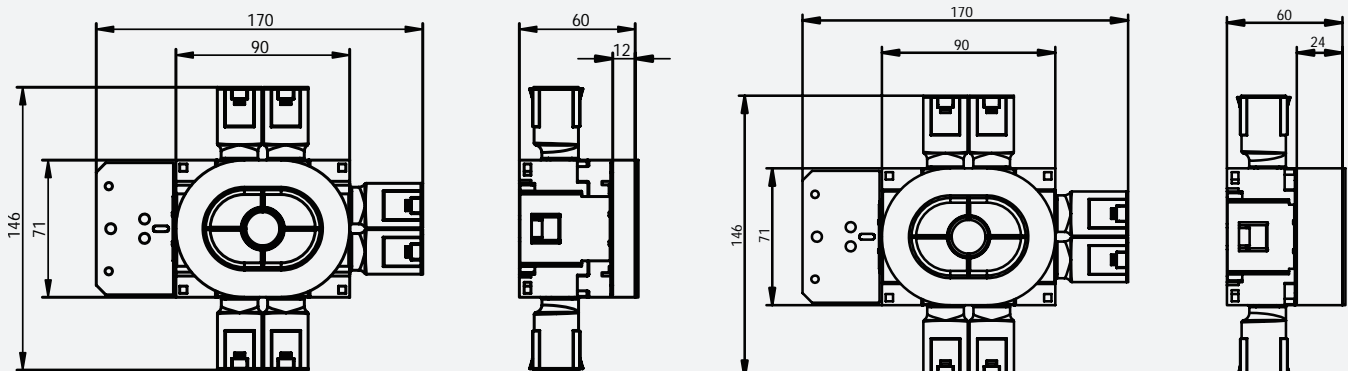
ETM699SF IP30 PP HALOGEN FREE

Colour: blue
 Certificates: CE, Semko
 Conforms with: LVD, RoHS, WEEE
 Complies with the standards: IEC 60670-1
 Fire hazard test: 850°C (IEC60695-2-11)
 Working temperature: -25°C to +60°C;
 Installation temperature: -5°C to +25°C

This horizontal wall box features three 2xØ16/20mm conduit inlets. Each inlet is equipped with locking plates to secure the conduits, and the box includes a lid along with sealing plugs to prevent dust ingress. For versatile mounting, it comes with a steel plate that allows for secure attachment to both metal and wooden studs using screws.

REFERENCE	PACKAGING OPTIONS
ETM699SF	1PCS

Technical drawings



Ceiling boxes



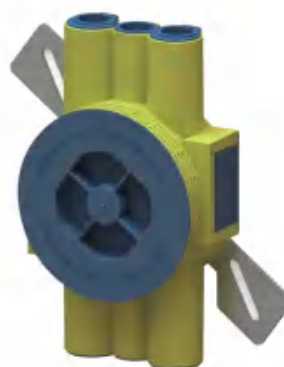
Ceiling box for single plasterboard with fixed Ø16mm inlets

ETM002S IP30 HDPE

Colour: blue
 Certificates: CE, Semko
 Conforms with: LVD, RoHS, WEEE
 Complies with the standards: IEC 60670-1
 Fire hazard test: 850°C (IEC60695-2-11)
 Working temperature: -25°C to +60°C;
 Installation temperature: -5°C to +25°C

The ceiling box features 8xØ16mm conduit entries, equipped with locking springs to ensure a tight fit. A box lid and conduit entry sealing caps are included for added protection. It is possible to attach a Ø20mm conduit by using a Ø20mm sleeve (ETM238S) on the outside of the conduit entries. Max load 15kg.

REFERENCE	PACKAGING OPTIONS	
ETM002S	1PCS	660PCS



Customisable ceiling box for single plasterboard with Ø16mm and Ø20mm inlets

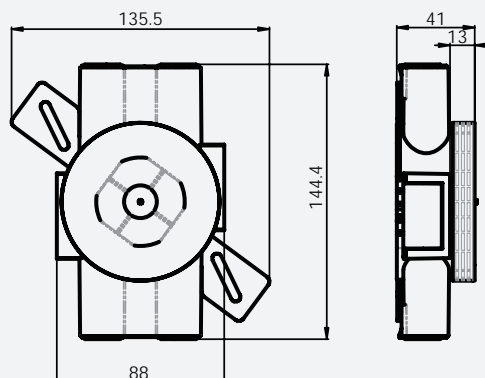
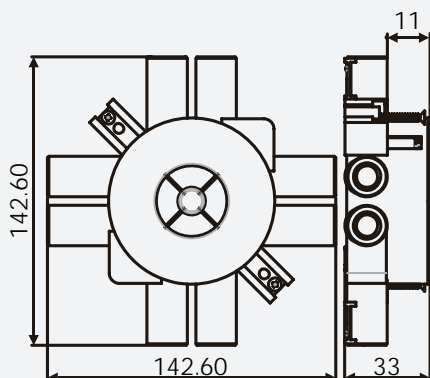
ETM002S-4 IP30 HDPE

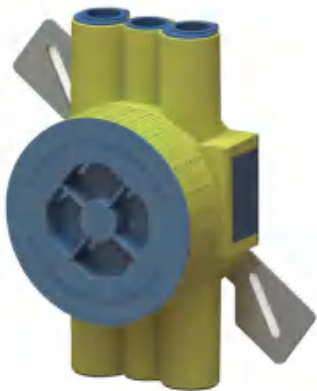
Colour: blue
 Certificates: CE, Semko
 Conforms with: LVD, RoHS, WEEE
 Complies with the standards: IEC 60670-1
 Fire hazard test: 850°C (IEC60695-2-11)
 Working temperature: -25°C to +60°C;
 Installation temperature: -5°C to +25°C

The box has 2xØ16mm and 4xØ20mm inlets. It includes a lid and sealing caps to ensure secure and protected connections. Additional inlets can be attached on each side using the ETM648S. Max load 15kg. Fits 28mm wooden studs.

REFERENCE	PACKAGING OPTIONS	
ETM002S-4	1PCS	750PCS

Technical drawings





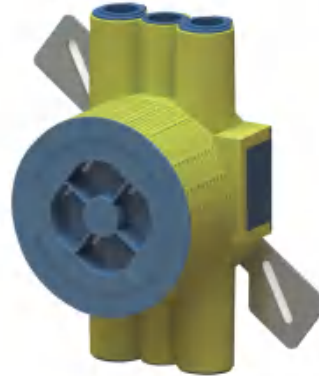
Customisable ceiling box for double plasterboard with Ø16mm and Ø20mm inlets

ETM002S-5 IP30 HDPE

Colour: blue
 Certificates: CE, Semko
 Conforms with: LVD, RoHS, WEEE
 Complies with the standards: IEC 60670-1
 Fire hazard test: 850°C (IEC60695-2-11)
 Working temperature: -25°C to +60°C;
 Installation temperature: -5°C to +25°C

The box has 2xØ16mm and 4xØ20mm inlets. It includes a lid and sealing caps to ensure secure and protected connections. Additional inlets can be attached on each side using the ETM648S. Max load 15kg. Fits 28mm wooden studs.

REFERENCE	PACKAGING OPTIONS	
ETM002S-5	1PCS	600PCS



Customisable ceiling box for triple plasterboard with Ø16mm and Ø20mm inlets

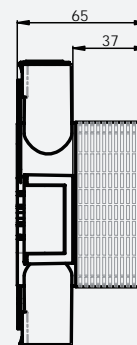
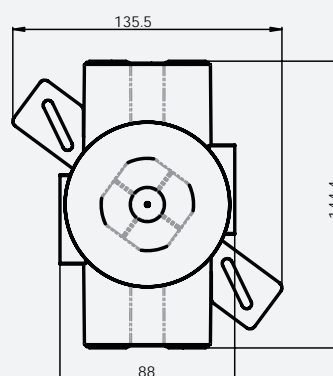
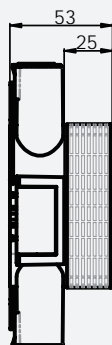
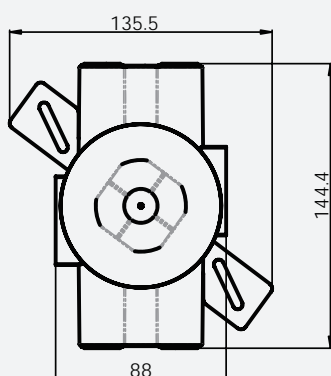
ETM002S-6 IP30 HDPE

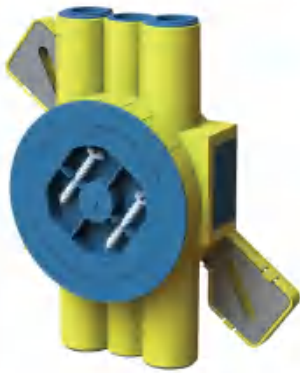
Colour: blue
 Certificates: CE, Semko
 Conforms with: LVD, RoHS, WEEE
 Complies with the standards: IEC 60670-1
 Fire hazard test: 850°C (IEC60695-2-11)
 Working temperature: -25°C to +60°C;
 Installation temperature: -5°C to +25°C

The box has 2xØ16mm and 4xØ20mm inlets. It includes a lid and sealing caps to ensure secure and protected connections. Additional inlets can be attached on each side using the ETM648S. Max load 15kg. Fits 28mm wooden studs.

REFERENCE	PACKAGING OPTIONS	
ETM002S-6	1PCS	500PCS

Technical drawings





Customisable ceiling box for 10mm plasterboard and 36/48mm wooden studs

ETM002S-7

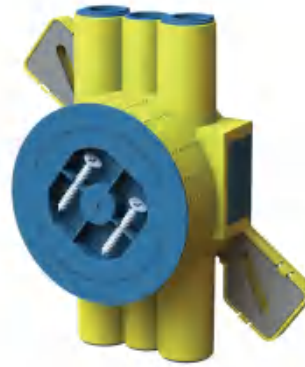
IP30

HDPE

Colour: blue
 Certificates: CE, Semko
 Conforms with: LVD, RoHS, WEEE
 Complies with the standards: IEC 60670-1
 Fire hazard test: 850°C (IEC60695-2-11)
 Working temperature: -25°C to +60°C;
 Installation temperature: -5°C to +25°C

The box has 2xØ16mm and 4xØ20mm inlets. It includes 6mm plastic bracket, a lid, fixing screws and inlet sealing caps. Additional inlets can be attached on each side using the ETM648S. Max load 15kg.

REFERENCE	PACKAGING OPTIONS	
ETM002S-7	1PCS	600PCS



Customisable ceiling box for 10mm plasterboard and 36/48mm wooden studs

ETM002S-8

IP30

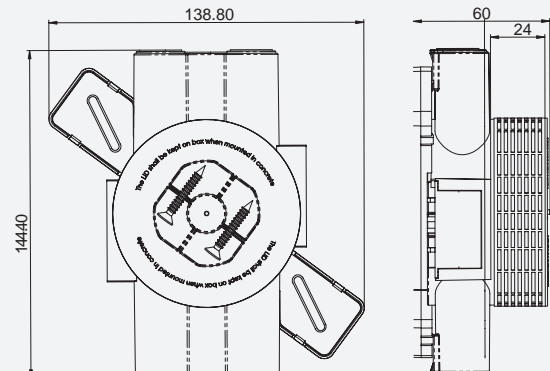
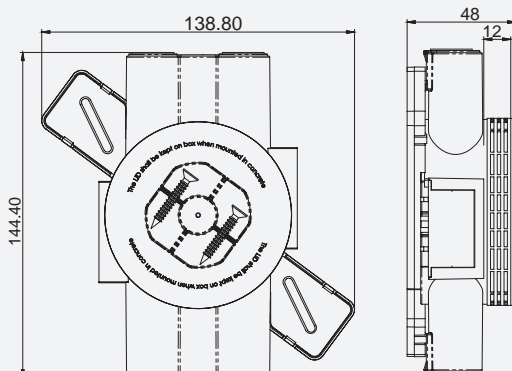
HDPE

Colour: blue
 Certificates: CE, Semko
 Conforms with: LVD, RoHS, WEEE
 Complies with the standards: IEC 60670-1
 Fire hazard test: 850°C (IEC60695-2-11)
 Working temperature: -25°C to +60°C;
 Installation temperature: -5°C to +25°C

The box has 2xØ16mm and 4xØ20mm inlets. It includes 6mm plastic bracket, a lid, fixing screws and inlet sealing caps. Additional inlets can be attached on each side using the ETM648S. Max load 15kg.

REFERENCE	PACKAGING OPTIONS	
ETM002S-8	1PCS	500PCS

Technical drawings



Junction boxes



Single plasterboard junction box with Ø16mm and Ø16/Ø20mm inlets

ETM394S IP30 PP HALOGEN FREE

Colour: blue
 Certificates: CE
 Conforms with: LVD, RoHS, WEEE
 Complies with the standards: IEC 60670-1
 Fire hazard test: 850°C (IEC60695-2-11)
 Working temperature: -25°C to +60°C;
 Installation temperature: -5°C to +25°C

The junction box, with an 83mm diameter and 60mm depth, features an inner ring with a cc67mm. Secure the ring in place by tightening the screws on each side. The box includes seven built-in inlets: 4x Ø16mm and 3x Ø16/20mm, with the option to add additional inlets on each side using accessory attachments. A protective lid is included.

REFERENCE	PACKAGING OPTIONS	
ETM394S	1PCS	480PCS

Double plasterboard junction box with Ø16mm and Ø16/Ø20mm inlets

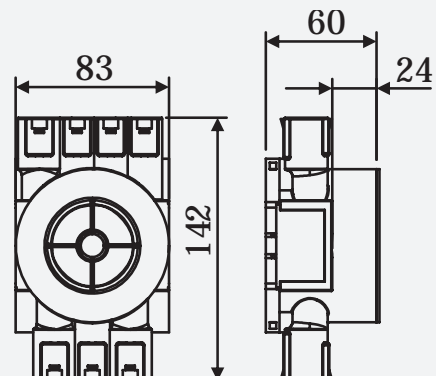
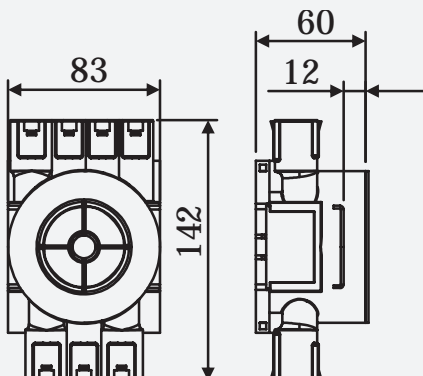
ETM395S IP30 PP HALOGEN FREE

Colour: blue
 Certificates: CE
 Conforms with: LVD, RoHS, WEEE
 Complies with the standards: IEC 60670-1
 Fire hazard test: 850°C (IEC60695-2-11)
 Working temperature: -25°C to +60°C;
 Installation temperature: -5°C to +25°C

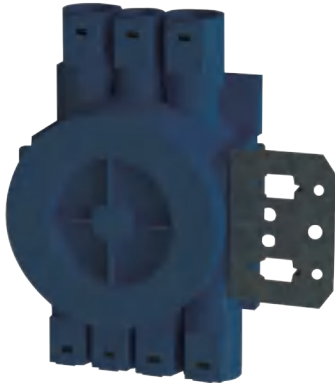
The junction box, with an 83mm diameter and 60mm depth, features an inner ring. Secure the ring in place by tightening the screws on each side. The box includes 7 built-in inlets: 4x Ø16mm and 3x Ø16/20mm, with the option to add additional inlets on each side using accessory attachments. A protective lid is included.

REFERENCE	PACKAGING OPTIONS	
ETM395S	1PCS	480PCS

Technical drawings



Junction boxes



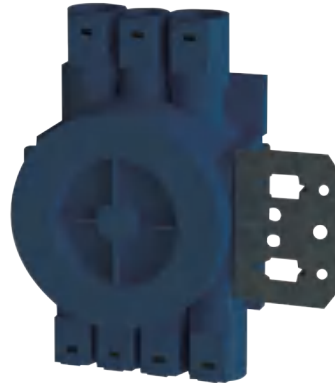
Single plasterboard junction box with Ø16mm and Ø16/Ø20mm inlets and fixing plate

ETM398S IP30 PP HALOGEN FREE

Colour: blue
 Certificates: CE
 Conforms with: LVD, RoHS, WEEE
 Complies with the standards: IEC 60670-1
 Fire hazard test: 850°C (IEC60695-2-11)
 Working temperature: -25°C to +60°C;
 Installation temperature: -5°C to +25°C

The junction box, with an 83mm diameter and 60mm depth, has an inner ring with a cc 67mm. Secure the ring in place by tightening the screws on each side. The box includes 7 built-in inlets: 4x Ø16mm and 3x Ø16/20mm, with the option to add additional inlet on the side. It also has a steel plate with pins for easy hammering onto wooden studs. A protective lid is included.

REFERENCE	PACKAGING OPTIONS	
ETM398S	1PCS	400PCS



Double plasterboard junction box with Ø16mm and Ø16/Ø20mm inlets and fixing plate

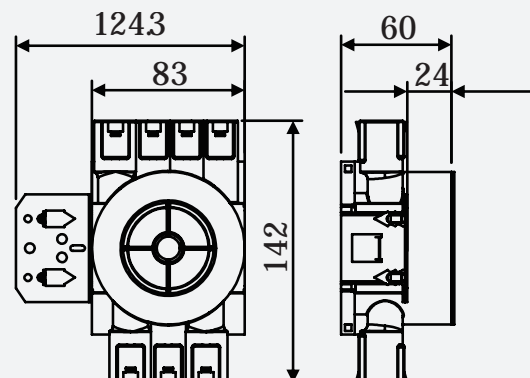
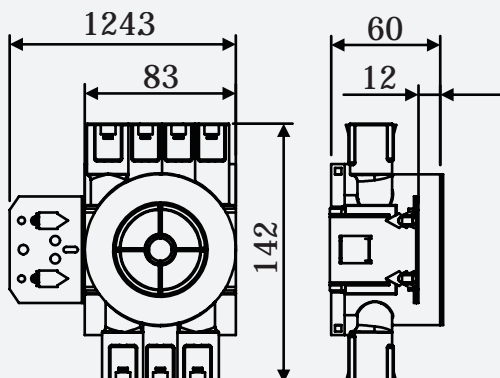
ETM399S IP30 PP HALOGEN FREE

Colour: blue
 Certificates: CE
 Conforms with: LVD, RoHS, WEEE
 Complies with the standards: IEC 60670-1
 Fire hazard test: 850°C (IEC60695-2-11)
 Working temperature: -25°C to +60°C;
 Installation temperature: -5°C to +25°C

The junction box, with an 83mm diameter and 60mm depth, has an inner ring with a cc 67mm. Secure the ring in place by tightening the screws on each side. The box includes 7 built-in inlets: 4x Ø16mm and 3x Ø16/20mm, with the option to add additional inlet on the side. It also has a steel plate with pins for easy hammering onto wooden studs. A protective lid is included.

REFERENCE	PACKAGING OPTIONS	
ETM399S	1PCS	400PCS

Technical drawings





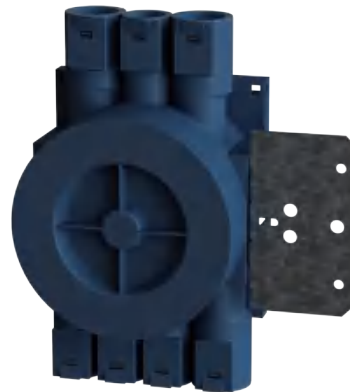
Single plasterboard junction box with Ø16mm and Ø16/Ø20mm inlets and fixing plate

ETM398SF IP30 PP HALOGEN FREE

Colour: blue
 Certificates: CE
 Conforms with: LVD, RoHS, WEEE
 Complies with the standards: IEC 60670-1
 Fire hazard test: 850°C (IEC60695-2-11)
 Working temperature: -25°C to +60°C;
 Installation temperature: -5°C to +25°C

The junction box, with an 83mm diameter and 60mm depth, has an inner ring with a cc 67mm. Secure the ring in place by tightening the screws on each side. The box includes 7 built-in inlets: 4x Ø16mm and 3x Ø16/20mm, with the option to add additional inlet on the side. It also has a steel plate for screwing onto wooden or metal studs. A protective lid is included.

REFERENCE	PACKAGING OPTIONS	
ETM398SF	1PCS	400PCS



Double plasterboard junction box with Ø16mm and Ø16/Ø20mm inlets and fixing plate

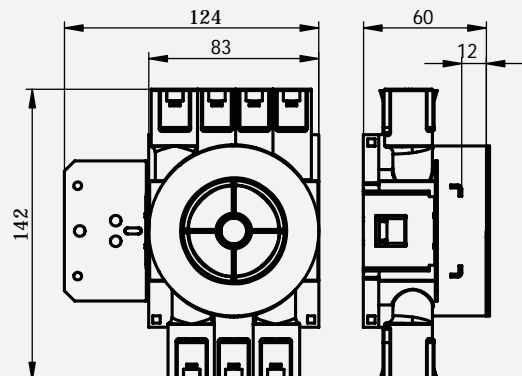
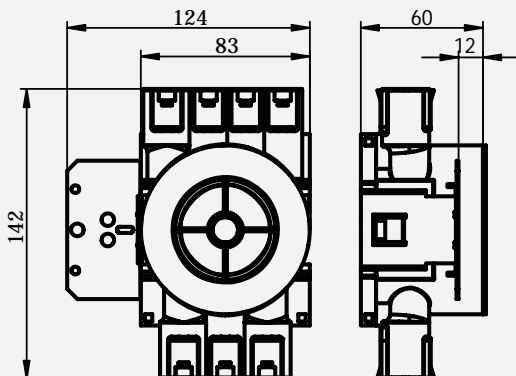
ETM399SF IP30 PP HALOGEN FREE

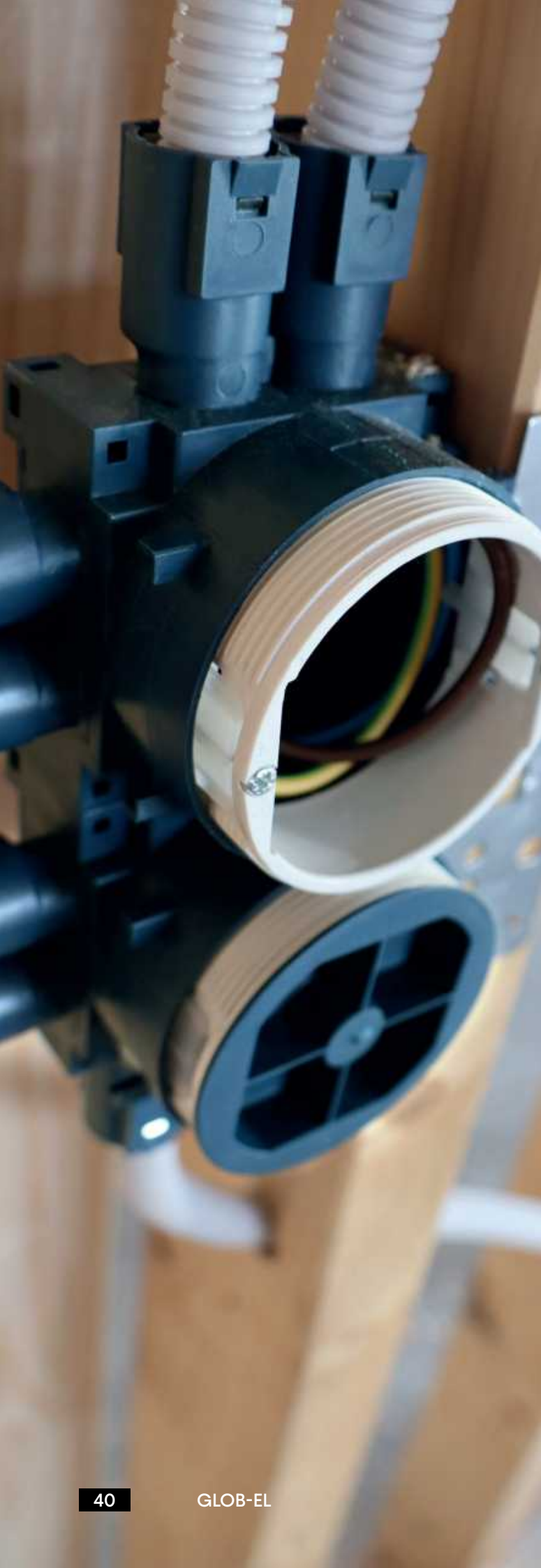
Colour: blue
 Certificates: CE
 Conforms with: LVD, RoHS, WEEE
 Complies with the standards: IEC 60670-1
 Fire hazard test: 850°C (IEC60695-2-11)
 Working temperature: -25°C to +60°C;
 Installation temperature: -5°C to +25°C

The junction box, with an 83mm diameter and 60mm depth, has an inner ring with a cc 67mm. Secure the ring in place by tightening the screws on each side. The box includes 7 built-in inlets: 4x Ø16mm and 3x Ø16/20mm, with the option to add additional inlet on the side. It also has a steel plate for screwing onto wooden or metal studs. A protective lid is included.

REFERENCE	PACKAGING OPTIONS	
ETM399SF	1PCS	400PCS

Technical drawings





Double plasterboard junction box

ETM601S

IP30

PP

HALOGEN FREE

Colour: blue

Certificates: CE, Semko

Conforms with: LVD, RoHS, WEEE

Complies with the standards: IEC 60670-1

Fire hazard test: 850°C (IEC60695-2-11)

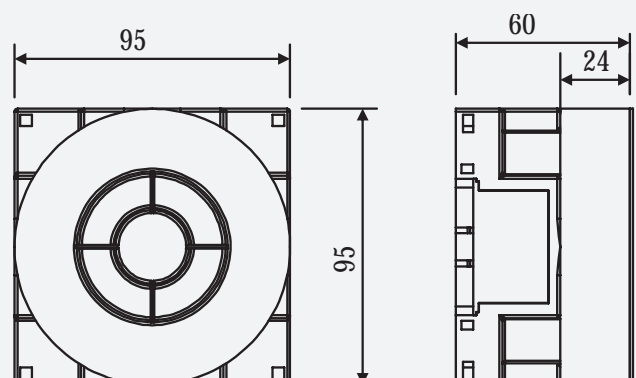
Working temperature: -25°C to +60°C;

Installation temperature: -5°C to +25°C

This junction box is designed for double plasterboard walls (24-26mm) and features a fixing center of cc 78mm, making it ideal for projects that require extra wiring space. Its design supports customisation with the ability to add conduit inlet attachments from a range of accessories, allowing for tailored solutions to meet specific project needs.

REFERENCE	PACKAGING OPTIONS	
ETM601S	1PCS	40PCS

Technical drawings



Pocket boxes



Single plasterboard pocket box with Ø16/Ø20mm inlets

ETM740S **IP30** **PP** **HALOGEN FREE**

Colour: blue
 Certificates: CE
 Conforms with: LVD, RoHS, WEEE, REACH
 Complies with the standards: IEC 60670-1
 Fire hazard test: 850°C (IEC60695-2-11)
 Working temperature: -25°C to +60°C;
 Installation temperature: -5°C to +25°C

The single wall box with additional 'pocket' space is designed to provide extra room for components like dimmers, relays, transformers, and smart home connections. This box features 2x Ø16/20mm conduit inlets. It includes a lid and the inlets are equipped with conduit locking plates and seal plugs.

REFERENCE	PACKAGING OPTIONS	
ETM740S	1PCS	600PCS



Double plasterboard pocket box with Ø16/Ø20mm inlets

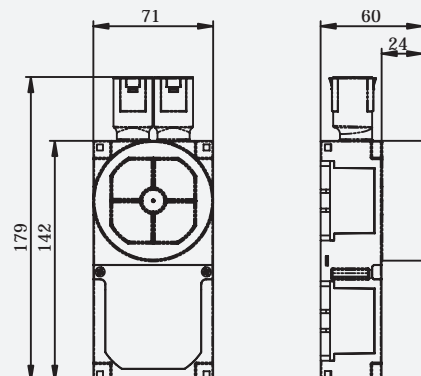
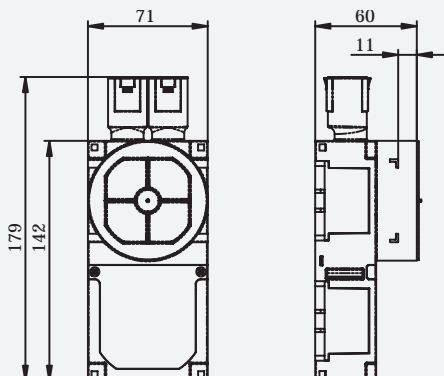
ETM741S **IP30** **PP** **HALOGEN FREE**

Colour: blue
 Certificates: CE
 Conforms with: LVD, RoHS, WEEE, REACH
 Complies with the standards: IEC 60670-1
 Fire hazard test: 850°C (IEC60695-2-11)
 Working temperature: -25°C to +60°C;
 Installation temperature: -5°C to +25°C

The single wall box with additional 'pocket' space is designed to provide extra room for components like dimmers, relays, transformers, and smart home connections. This box features 2x Ø16/20mm conduit inlets. It includes a lid and the inlets are equipped with conduit locking plates and seal plugs.

REFERENCE	PACKAGING OPTIONS	
ETM741S	1PCS	600PCS

Technical drawings



Pocket boxes



Single plasterboard pocket box with Ø16/Ø20mm inlets and fixing plate

ETM742S IP30 PP HALOGEN FREE

Colour: blue
 Certificates: CE
 Conforms with: LVD, RoHS, WEEE, REACH
 Complies with the standards: IEC 60670-1
 Fire hazard test: 850°C (IEC60695-2-11)
 Working temperature: -25°C to +60°C;
 Installation temperature: -5°C to +25°C

The single wall box with additional space is perfect for accommodating dimmers, relays, transformers and other smart home connections. It features a single double inlet compatible with Ø16mm and Ø20mm conduits. The box includes a steel plate with metal pins for easy hammering into wooden studs. A protective lid is provided.

REFERENCE	PACKAGING OPTIONS	
ETM742S	1PCS	480PCS



Double plasterboard pocket box with Ø16/Ø20mm inlets and fixing plate

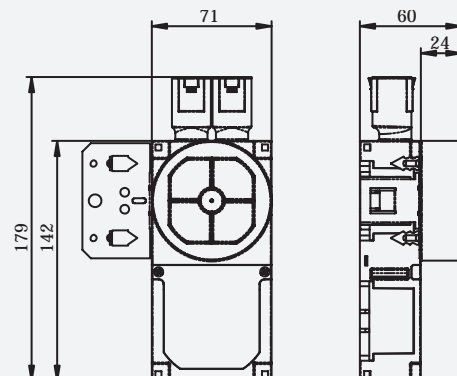
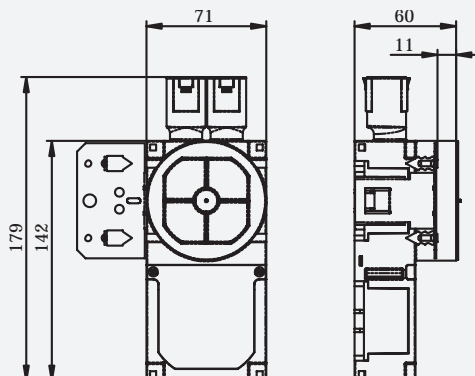
ETM743S IP30 PP HALOGEN FREE

Colour: blue
 Certificates: CE
 Conforms with: LVD, RoHS, WEEE, REACH
 Complies with the standards: IEC 60670-1
 Fire hazard test: 850°C (IEC60695-2-11)
 Working temperature: -25°C to +60°C;
 Installation temperature: -5°C to +25°C

The single wall box with additional space is perfect for accommodating dimmers, relays, transformers and other smart home connections. It features a single double inlet compatible with Ø16mm and Ø20mm conduits. The box includes a steel plate with metal pins for easy hammering into wooden studs. A protective lid is provided.

REFERENCE	PACKAGING OPTIONS	
ETM743S	1PCS	480PCS

Technical drawings





Single plasterboard pocket box with Ø16/Ø20mm inlets and fixing plate

ETM742SF IP30 PP HALOGEN FREE

Colour: blue
 Certificates: CE
 Conforms with: LVD, RoHS, WEEE, REACH
 Complies with the standards: IEC 60670-1
 Fire hazard test: 850°C (IEC60695-2-11)
 Working temperature: -25°C to +60°C;
 Installation temperature: -5°C to +25°C

The single wall box with extra space is perfect for housing dimmers, relays, transformers and smart home connections. It includes a double inlet compatible with Ø16mm and Ø20mm conduits and features a steel plate for attachment to metal or wooden studs using screws. The box also comes with a lid, and the inlets are equipped with conduit locking plates and seal plugs.

REFERENCE	PACKAGING OPTIONS	
ETM742SF	1PCS	560PCS



Double plasterboard pocket box with Ø16/Ø20mm inlets and fixing plate

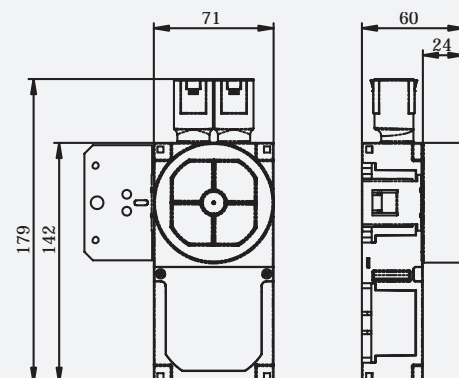
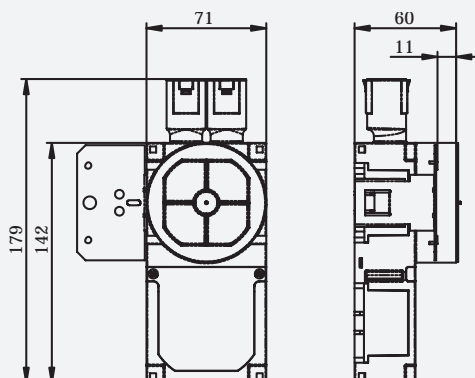
ETM743SF IP30 PP HALOGEN FREE

Colour: blue
 Certificates: CE
 Conforms with: LVD, RoHS, WEEE, REACH
 Complies with the standards: IEC 60670-1
 Fire hazard test: 850°C (IEC60695-2-11)
 Working temperature: -25°C to +60°C;
 Installation temperature: -5°C to +25°C

The single wall box with extra space is perfect for housing dimmers, relays, transformers and smart home connections. It includes a double inlet compatible with Ø16mm and Ø20mm conduits and features a steel plate for attachment to metal or wooden studs using screws. The box also comes with a lid, and the inlets are equipped with conduit locking plates and seal plugs.

REFERENCE	PACKAGING OPTIONS	
ETM743SF	1PCS	560PCS

Technical drawings





Single plasterboard 1.5 pocket box with Ø16/Ø20mm inlets and fixing plate

ETM662S

IP30

PP

HALOGEN FREE

Colour: blue

Certificates: CE

Conforms with: LVD, RoHS, WEEE, REACH

Complies with the standards: IEC 60670-1

Fire hazard test: 850°C (IEC60695-2-11)

Working temperature: -25°C to +60°C;

Installation temperature: -5°C to +25°C

The 1.5 wall box with additional space is perfect for accommodating dimmers, relays, transformers and other smart home connections. It features a single double inlet compatible with Ø16mm and Ø20mm conduits. The box includes a steel plate with metal pins for easy hammering into wooden studs. A protective lid is provided, and the inlets are equipped with conduit locking plates and seal plugs.

REFERENCE	PACKAGING OPTIONS	
ETM662S	1PCS	400PCS



Double plasterboard 1.5 pocket box with Ø16/Ø20mm inlets and fixing plate

ETM663S

IP30

PP

HALOGEN FREE

Colour: blue

Certificates: CE

Conforms with: LVD, RoHS, WEEE, REACH

Complies with the standards: IEC 60670-1

Fire hazard test: 850°C (IEC60695-2-11)

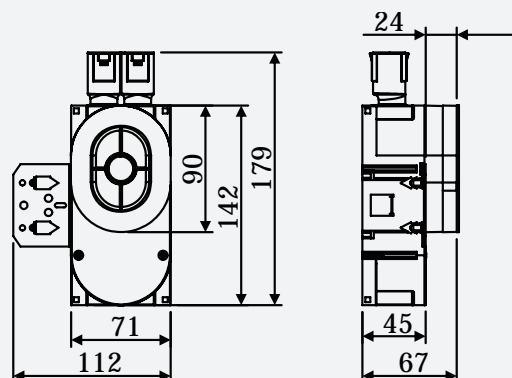
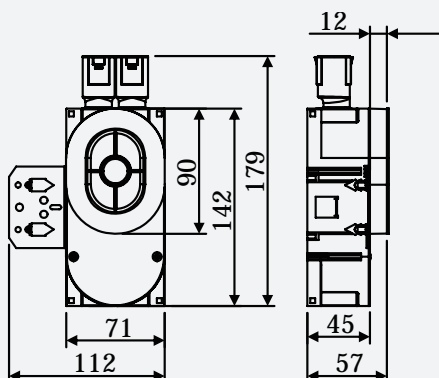
Working temperature: -25°C to +60°C;

Installation temperature: -5°C to +25°C

The 1.5 wall box with additional space is perfect for accommodating dimmers, relays, transformers and other smart home connections. It features a single double inlet compatible with Ø16mm and Ø20mm conduits. The box includes a steel plate with metal pins for easy hammering into wooden studs. A protective lid is provided, and the inlets are equipped with conduit locking plates and seal plugs.

REFERENCE	PACKAGING OPTIONS	
ETM663S	1PCS	360PCS

Technical drawings



Multi boxes



Multi box with fixed Ø16mm inlets

ETM220S

IP20

PP

HALOGEN FREE

Colour: blue
 Certificates: CE
 Conforms with: LVD, RoHS, WEEE
 Complies with the standards: IEC 60670-1
 Fire hazard test: 850°C (IEC60695-2-11)
 Working temperature: -25°C to +60°C;
 Installation temperature: -5°C to +25°C

The multi box is ideal for use in prefabricated or hollow walls, allowing for installation from the outside of the wall when an extra flush wall box is needed. It requires a minimum wall panel thickness of 6mm. Equipped with two fixed Ø16mm entries, it includes locking springs, sealing plugs, and a plastic lid to ensure a secure and protected installation. The box features a screw distance of cc 60mm and is secured with M3 screws.

REFERENCE	PACKAGING OPTIONS	
ETM220S	1PCS	100PCS



Multi box with 90-degree inlets

ETM546S

IP20

PP

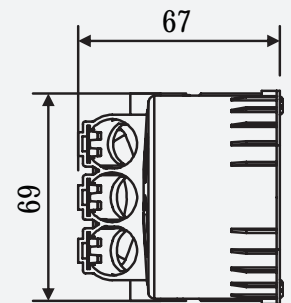
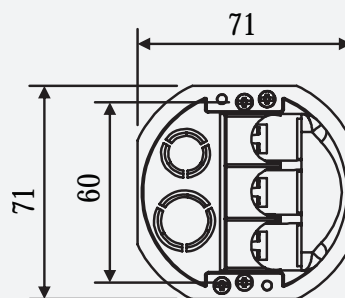
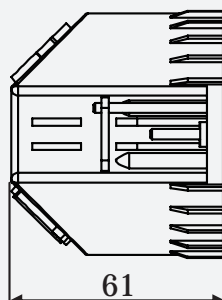
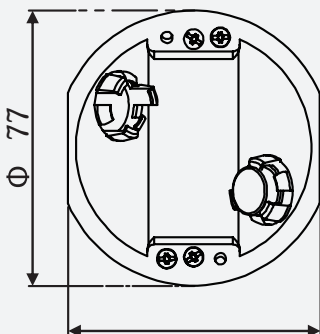
HALOGEN FREE

Colour: blue
 Certificates: CE
 Conforms with: LVD, RoHS, WEEE
 Complies with the standards: IEC 60670-1
 Fire hazard test: 850°C (IEC60695-2-11)
 Working temperature: -25°C to +60°C;
 Installation temperature: -5°C to +25°C

The box with 90-degree inlets is designed for use in prefabricated or hollow walls, where installation can be carried out from the outside of the wall. This box is particularly suited for situations where tight spaces and pipes are routed from above. With a depth of 65mm and minimum 6mm wall thickness, it provides lots of room for wiring. The box has 3x Ø16mm fixed conduits and two knockout inlets 1xØ16mm and 1xØ20mm.

REFERENCE	PACKAGING OPTIONS	
ETM546S	1PCS	100PCS

Technical drawings





Multi box with 90-degree inlets

ETM647S

IP20

PP

HALOGEN FREE

Colour: blue

Certificates: CE

Conforms with: LVD, RoHS, WEEE

Complies with the standards: IEC 60670-1

Fire hazard test: 850°C (IEC60695-2-11)

Working temperature: -25°C to +60°C;

Installation temperature: -5°C to +25°C

The box with 90-degree inlets is particularly suited for situations where installation can be carried out from the outside of the wall and where pipes are routed from above. This low multi box has a depth of 48mm and features 3x Ø16mm fixed conduits and two knockout inlets - 1xØ16mm and 1xØ20mm, which can be opened as needed.

REFERENCE	PACKAGING OPTIONS	
ETM647S	1PCS	120PCS



1.5 multi box with Ø16mm and Ø20mm inlets

ETM548S

IP20

PP

HALOGEN FREE

Colour: blue

Certificates: CE

Conforms with: LVD, RoHS, WEEE

Complies with the standards: IEC 60670-1

Fire hazard test: 850°C (IEC60695-2-11)

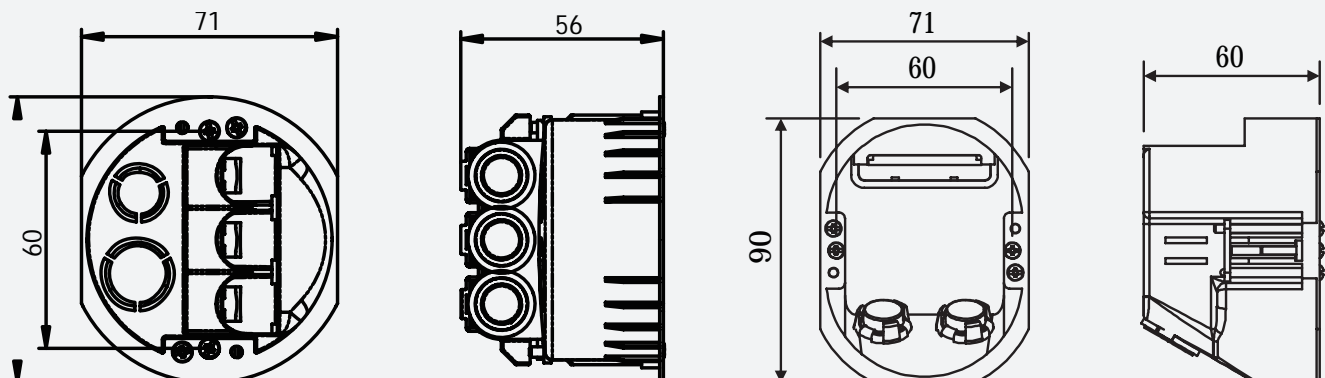
Working temperature: -25°C to +60°C;

Installation temperature: -5°C to +25°C

Designed for low model double Schuko socket outlets in the Series P, the box is great for prefabricated or hollow walls. With a depth of 60mm and a minimum panel thickness of 6mm, it offers ample room for fittings. The box has fixed 2xØ16mm inlets and one Ø20mm knockout on one side. The other side includes a blind cover that is compatible with all accessories in the universal assortment.

REFERENCE	PACKAGING OPTIONS	
ETM548S	1PCS	120PCS

Technical drawings



Double outlet boxes



Double wall box for single plasterboard with Ø16/Ø20mm inlets

ETM638S

IP30

PP

HALOGEN FREE

Colour: blue
 Certificates: CE
 Conforms with: LVD, RoHS, WEEE
 Complies with the standards: IEC 60670-1
 Fire hazard test: 850°C (IEC60695-2-11)
 Working temperature: -25°C to +60°C;
 Installation temperature: -5°C to +25°C

This double wall box is designed for single plasterboard walls. It features one double inlet compatible with Ø16mm and Ø20mm conduits, and one triple inlet for Ø16mm conduits. These inlets provide flexible wiring solutions, ensuring a secure and organised installation. Ideal for accommodating multiple devices. The lid is included.

REFERENCE	PACKAGING OPTIONS	
ETM638S	1PCS	500PCS



Double wall box for double plasterboard with Ø16/Ø20mm inlets

ETM639S

IP30

PP

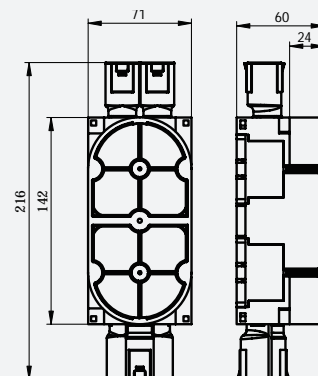
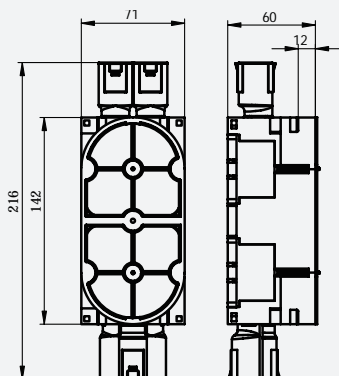
HALOGEN FREE

Colour: blue
 Certificates: CE
 Conforms with: LVD, RoHS, WEEE
 Complies with the standards: IEC 60670-1
 Fire hazard test: 850°C (IEC60695-2-11)
 Working temperature: -25°C to +60°C;
 Installation temperature: -5°C to +25°C

This double wall box is designed for double plasterboard walls. It features one double inlet compatible with Ø16mm and Ø20mm conduits, and one triple inlet for Ø16mm conduits. These inlets provide flexible wiring solutions, ensuring a secure and organised installation. Ideal for accommodating multiple devices. The lid is included.

REFERENCE	PACKAGING OPTIONS	
ETM639S	1PCS	680PCS

Technical drawings





Double wall box for single plasterboard with Ø16/Ø20mm inlets and fixing plate

ETM610S

IP30

PP

HALOGEN FREE

Colour: blue
 Certificates: CE
 Conforms with: LVD, RoHS, WEEE
 Complies with the standards: IEC 60670-1
 Fire hazard test: 850°C (IEC60695-2-11)
 Working temperature: -25°C to +60°C;
 Installation temperature: -5°C to +25°C

This double wall box is designed for single plasterboard walls. It features one double inlet compatible with Ø16mm and Ø20mm conduits, and one triple inlet for Ø16mm conduits. For secure and easy installation, the box includes a steel plate with a pin that can be hammered directly into wooden studs. The lid is included with the box.

REFERENCE	PACKAGING OPTIONS	
ETM610S	1PCS	500PCS



Double wall box for double plasterboard with Ø16/Ø20mm inlets and fixing plate

ETM611S

IP30

PP

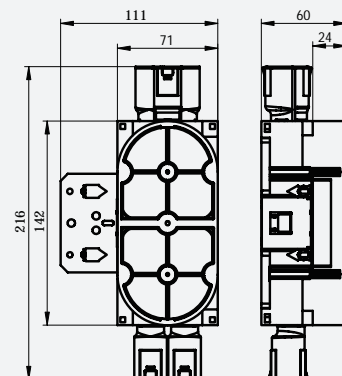
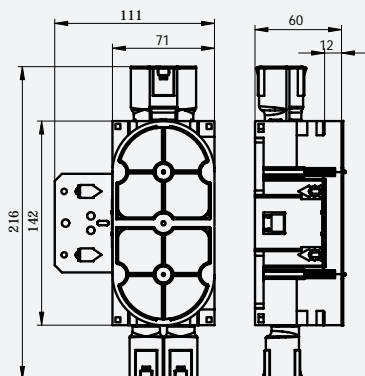
HALOGEN FREE

Colour: blue
 Certificates: CE
 Conforms with: LVD, RoHS, WEEE
 Complies with the standards: IEC 60670-1
 Fire hazard test: 850°C (IEC60695-2-11)
 Working temperature: -25°C to +60°C;
 Installation temperature: -5°C to +25°C

This double wall box is designed for double plasterboard walls. It features one double inlet compatible with Ø16mm and Ø20mm conduits, and one triple inlet for Ø16mm conduits. For secure and easy installation, the box includes a steel plate with a pin that can be hammered directly into wooden studs. The lid is included with the box.

REFERENCE	PACKAGING OPTIONS	
ETM611S	1PCS	500PCS

Technical drawings



Big boxes



Big box for single plasterboard with Ø16/Ø20mm inlets and fixing plate

ETM621SF IP30 PP HALOGEN FREE

Colour: blue
 Certificates: CE
 Conforms with: LVD, RoHS, WEEE
 Complies with the standards: IEC 60670-1
 Fire hazard test: 850°C (IEC60695-2-11)
 Working temperature: -25°C to +60°C;
 Installation temperature: -5°C to +25°C

The wall box provides plenty of space for switches, sockets, and electronics like dimmers, thermostats, and USB charging ports. It includes a steel plate for easy attachment to wooden or metal studs, ensuring a secure and versatile setup for modern electrical installations.

REFERENCE	PACKAGING OPTIONS	
ETM621SF	1PCS	15PCS



Big box for double plasterboard with Ø16/Ø20mm inlets and fixing plate

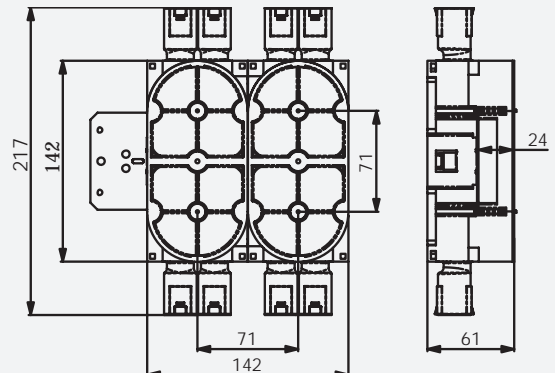
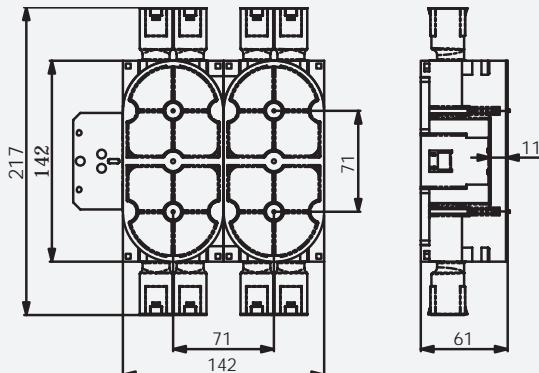
ETM622SF IP30 PP HALOGEN FREE

Colour: blue
 Certificates: CE
 Conforms with: LVD, RoHS, WEEE
 Complies with the standards: IEC 60670-1
 Fire hazard test: 850°C (IEC60695-2-11)
 Working temperature: -25°C to +60°C;
 Installation temperature: -5°C to +25°C

The wall box provides plenty of space for switches, sockets, and electronics like dimmers, thermostats, and USB charging ports. It includes a steel plate for easy attachment to wooden or metal studs, ensuring a secure and versatile setup for modern electrical installations.

REFERENCE	PACKAGING OPTIONS	
ETM622SF	1PCS	15PCS

Technical drawings





Big box for single plasterboard with Ø16/Ø20mm inlets and fixing plate

ETM623SF IP30 PP HALOGEN FREE

Colour: blue
 Certificates: CE
 Conforms with: LVD, RoHS, WEEE
 Complies with the standards: IEC 60670-1
 Fire hazard test: 850°C (IEC60695-2-11)
 Working temperature: -25°C to +60°C;
 Installation temperature: -5°C to +25°C

Keep all switches, sockets, dimmers and other controls in one place with this big box. It features two additional wall boxes and a steel plate for easy fixing to wooden or metal studs.

REFERENCE	PACKAGING OPTIONS	
ETM623SF	1PCS	12PCS



Big box for double plasterboard with Ø16/Ø20mm inlets and fixing plate

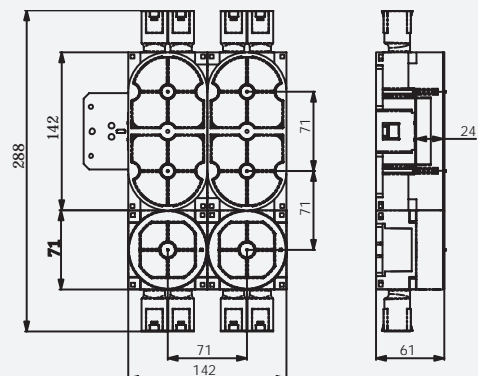
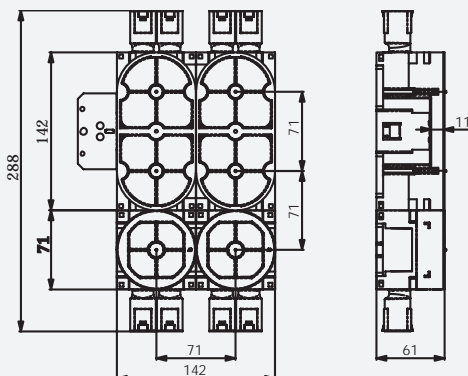
ETM624SF IP30 PP HALOGEN FREE

Colour: blue
 Certificates: CE
 Conforms with: LVD, RoHS, WEEE
 Complies with the standards: IEC 60670-1
 Fire hazard test: 850°C (IEC60695-2-11)
 Working temperature: -25°C to +60°C;
 Installation temperature: -5°C to +25°C

Keep all switches, sockets, dimmers and other controls in one place with this big box. It features two additional wall boxes and a steel plate for easy fixing to wooden or metal studs.

REFERENCE	PACKAGING OPTIONS	
ETM624SF	1PCS	12PCS

Technical drawings



Accessories



Cover for single wall box

ETM003S

IP20

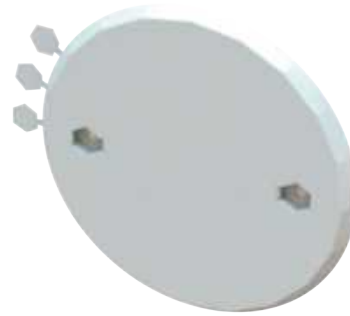
PP

HALOGEN FREE

Colour: white
 Certificates: CE
 Conforms with: RoHS
 Complies with the standards: IEC 60670-1
 Fire hazard test: 850°C (IEC60695-2-11)
 Working temperature: -25°C to +60°C;
 Installation temperature: -5°C to +25°C

This wall box cover features a 90mm diameter and a fixing distance of cc 60mm. Designed for a clean and unobtrusive finish, it provides a precise fit, ensuring a seamless appearance. The cover is easy to install.

REFERENCE	PACKAGING OPTIONS	
ETM003S	1PCS	1000PCS



Cover for single wall box

ETM540S

IP20

PP

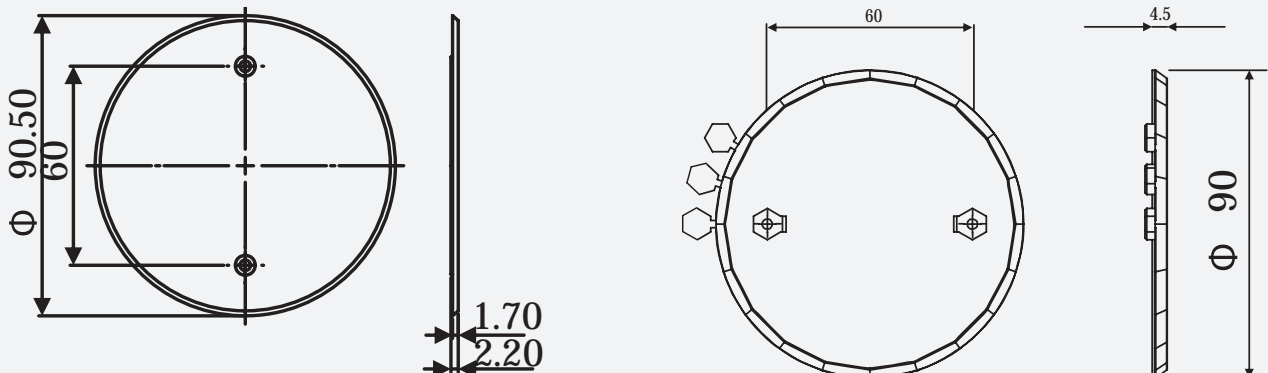
HALOGEN FREE

Colour: white
 Certificates: CE
 Conforms with: RoHS
 Complies with the standards: IEC 60670-1
 Fire hazard test: 850°C (IEC60695-2-11)
 Working temperature: -25°C to +60°C;
 Installation temperature: -5°C to +25°C

The wall box cover, with a 90mm diameter and a fixing distance of cc 60mm, is compatible with single wall boxes. It features three screw covers, concealing fasteners and providing a clean look.

REFERENCE	PACKAGING OPTIONS	
ETM540S	1PCS	400PCS

Technical drawings



Accessories



Screwless cover for single wall box

ETM003S-1 IP20 PP HALOGEN FREE

Colour: white
 Certificates: CE
 Conforms with: RoHS
 Complies with the standards: IEC 60670-1
 Fire hazard test: 850°C (IEC60695-2-11)
 Working temperature: -25°C to +60°C;
 Installation temperature: -5°C to +25°C

This wall box cover, with a 90mm diameter, is compatible with single wall boxes. It is a screwless version and provides quick and easy installation.

REFERENCE	PACKAGING OPTIONS	
ETM003S-1	1PCS	330PCS



Cover with strain relief for single wall boxes

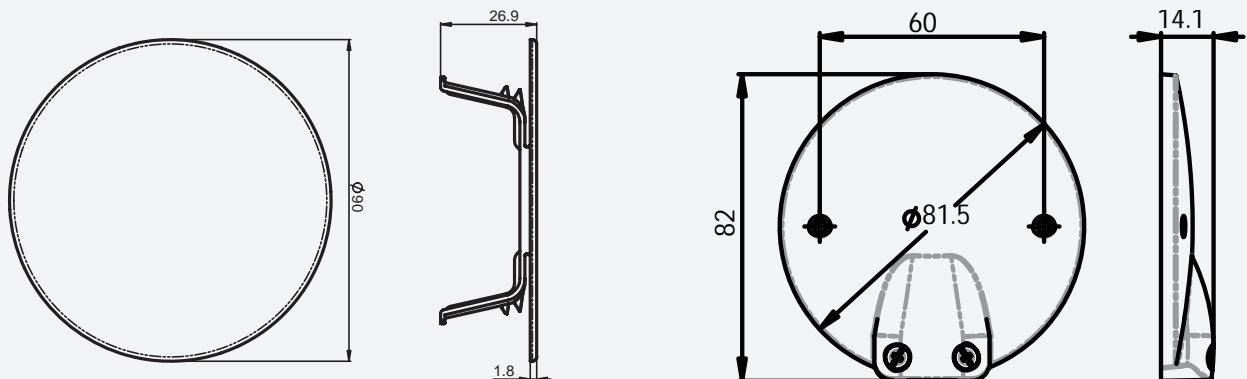
ETM003S-3 IP20 PP HALOGEN FREE

Colour: white
 Certificates: CE
 Conforms with:RoHS
 Complies with the standards: IEC 60670-1
 Fire hazard test: 850°C (IEC60695-2-11)
 Working temperature: -25°C to +60°C;
 Installation temperature: -5°C to +25°C

This wall box cover, with a 90mm diameter and a strain relief, is compatible with single wall boxes. It is fixed with two screws cc60mm.

REFERENCE	PACKAGING OPTIONS	
ETM003S-3	1PCS	300PCS

Technical drawings





Cover with cable entry for single wall

ETM003S-2 IP20 PP HALOGEN FREE

Colour: white
 Certificates: CE
 Conforms with: RoHS
 Complies with the standards: IEC 60670-1
 Fire hazard test: 850°C (IEC60695-2-11)
 Working temperature: -25°C to +60°C;
 Installation temperature: -5°C to +25°C

This wall box cover, with a 90mm diameter and a fixing distance of cc 60mm, is compatible with single wall boxes. It features two fixing points and a cable entry hole.

REFERENCE	PACKAGING OPTIONS	
ETM003S-2	1PCS	300PCS



6mm ring extension for single wall box

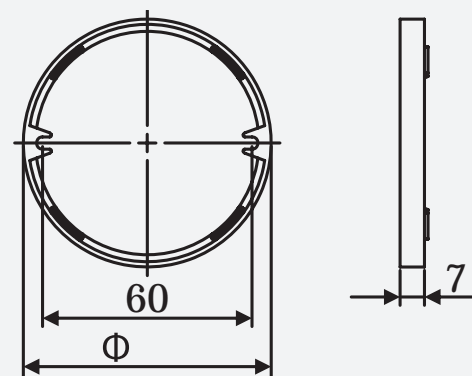
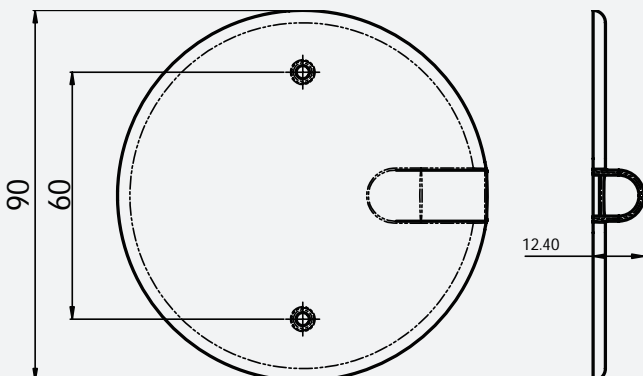
ETM013S IP20 PP HALOGEN FREE

Colour: white
 Certificates: CE
 Conforms with: RoHS
 Complies with the standards: IEC 60670-1
 Fire hazard test: 850°C (IEC60695-2-11)
 Working temperature: -25°C to +60°C;
 Installation temperature: -5°C to +25°C

This white extension ring, designed for single wall boxes, adds 6mm in height to accommodate various installation needs. It attaches securely with two screws, featuring a fixing distance of cc 60mm.

REFERENCE	PACKAGING OPTIONS	
ETM013S	1PCS	100PCS

Technical drawings



Accessories



12mm ring extension for single wall box

ETM543S IP20 PP HALOGEN FREE

Colour: white
 Certificates: CE
 Conforms with: RoHS
 Complies with the standards: IEC 60670-1
 Fire hazard test: 850°C (IEC60695-2-11)
 Working temperature: -25°C to +60°C;
 Installation temperature: -5°C to +25°C

This extension ring is designed for single wall boxes and provides a 12mm height increase. It can be stacked to achieve a total height of 24mm, offering customisable options. The ring attaches securely with two screws (included), featuring a fixing distance of cc 60mm.

REFERENCE	PACKAGING OPTIONS	
ETM543S	1PCS	350PCS



35mm ring extension for single wall box

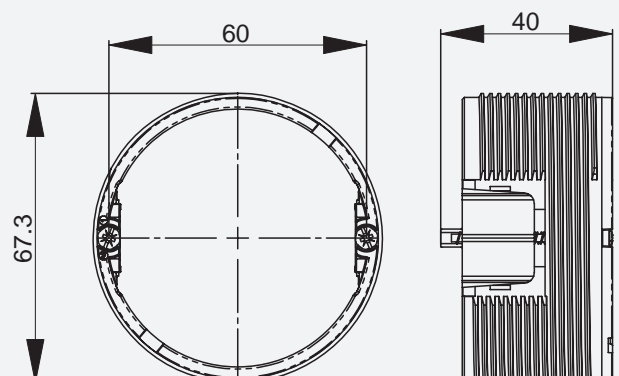
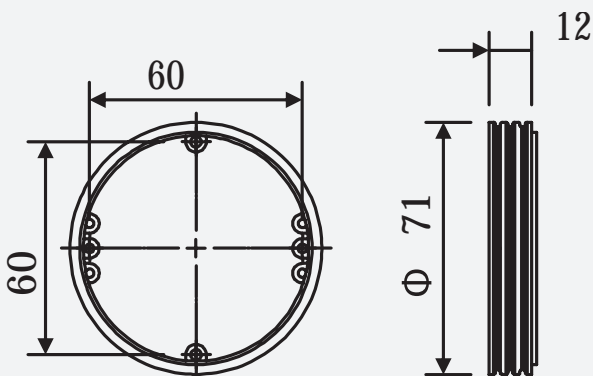
ETM854S IP20 PP HALOGEN FREE

Colour: white
 Certificates: CE
 Conforms with: RoHS
 Complies with the standards: IEC 60670-1
 Fire hazard test: 850°C (IEC60695-2-11)
 Working temperature: -25°C to +60°C;
 Installation temperature: -5°C to +25°C

An extended white inner ring is designed for single wall boxes and adds up to 35mm in depth, making it ideal for projects with extra thick walls. It attaches securely with two screws, featuring a fixing distance of cc 60mm. The ring securely locks into place, when tightening the screws on each side.

REFERENCE	PACKAGING OPTIONS	
ETM854S	1PCS	330PCS

Technical drawings





Screwless cover for junction boxes cc 67mm

ETM526S

IP20

PP

HALOGEN FREE

Colour: white
 Certificates: CE
 Conforms with: RoHS
 Complies with the standards: IEC 60670-1
 Fire hazard test: 850°C (IEC60695-2-11)
 Working temperature: -25°C to +60°C;
 Installation temperature: -5°C to +25°C

This white junction box cover, with a 100mm diameter, offers a clean and seamless finish. Designed for convenience, it is screwless and easily fixed in place by simply pushing the lid on.

REFERENCE	PACKAGING OPTIONS	
ETM526S	1PCS	330PCS



Screwless cover with cable entry for junction boxes cc 67mm

ETM527S

IP20

PP

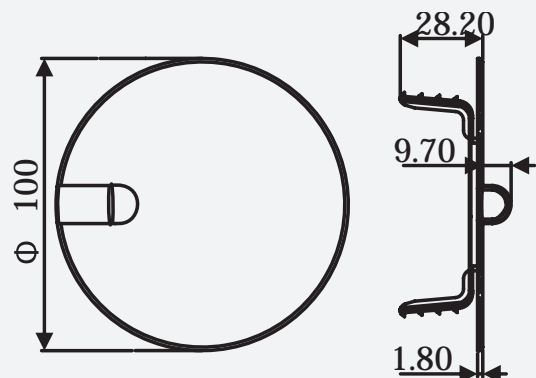
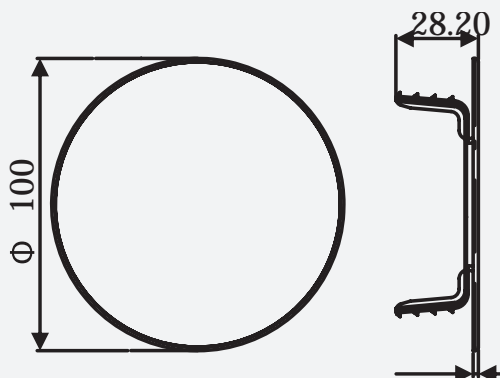
HALOGEN FREE

Colour: white
 Certificates: CE
 Conforms with: RoHS
 Complies with the standards: IEC 60670-1
 Fire hazard test: 850°C (IEC60695-2-11)
 Working temperature: -25°C to +60°C;
 Installation temperature: -5°C to +25°C

The junction box cover, with a 100mm diameter, provides a sleek and seamless finish. Designed for convenience, it is screwless and easily fixed in place by simply pushing the lid on. The cover also features a cable entry point, offering a practical solution for wiring needs.

REFERENCE	PACKAGING OPTIONS	
ETM527S	1PCS	250PCS

Technical drawings



Accessories



Cover for junction boxes cc 67mm

ETM004S-1 IP20 PP HALOGEN FREE

Colour: white
 Certificates: CE
 Conforms with: RoHS
 Complies with the standards: IEC 60670-1
 Fire hazard test: 850°C (IEC60695-2-11)
 Working temperature: -25°C to +60°C;
 Installation temperature: -5°C to +25°C

Featuring a 100mm diameter, this junction box cover is secured with two screws, spaced at cc 67mm, ensuring a firm and stable attachment. The cover's white finish offers a neat and professional look while providing reliable protection for the junction box.

REFERENCE	PACKAGING OPTIONS	
ETM004S-1	1PCS	800PCS



Cover with cable entry for junction boxes cc 67mm

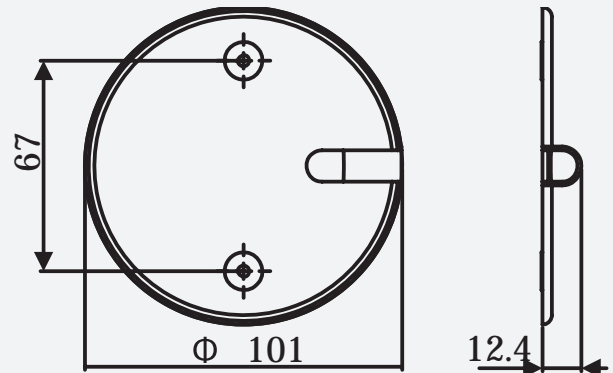
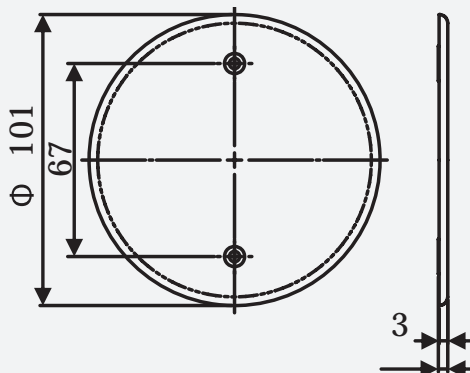
ETM528S IP20 PP HALOGEN FREE

Colour: white
 Certificates: CE
 Conforms with: RoHS
 Complies with the standards: IEC 60670-1
 Fire hazard test: 850°C (IEC60695-2-11)
 Working temperature: -25°C to +60°C;
 Installation temperature: -5°C to +25°C

Featuring a 100mm diameter, this junction box cover is secured with two screws, spaced at cc 67mm, ensuring a firm and stable attachment. The cover's white finish offers a neat and professional look while providing reliable protection for the junction box. The lid also features a cable entry point, catering for different wiring requirements.

REFERENCE	PACKAGING OPTIONS	
ETM528S	1PCS	300PCS

Technical drawings





Cover for junction box cc 67-78mm

ETM541S IP20 PP HALOGEN FREE

Colour: white
 Certificates: CE
 Conforms with: RoHS
 Complies with the standards: IEC 60670-1
 Fire hazard test: 850°C (IEC60695-2-11)
 Working temperature: -25°C to +60°C;
 Installation temperature: -5°C to +25°C

A junction box cover that fits a wide range of boxes thanks to its adjustable fixing points. The lid has a diameter of 110mm and comes with three screw covers for a seamless, polished finish, concealing fasteners and providing a clean look.

REFERENCE	PACKAGING OPTIONS	
ETM541S	1PCS	200PCS

Wall box adjustment piece

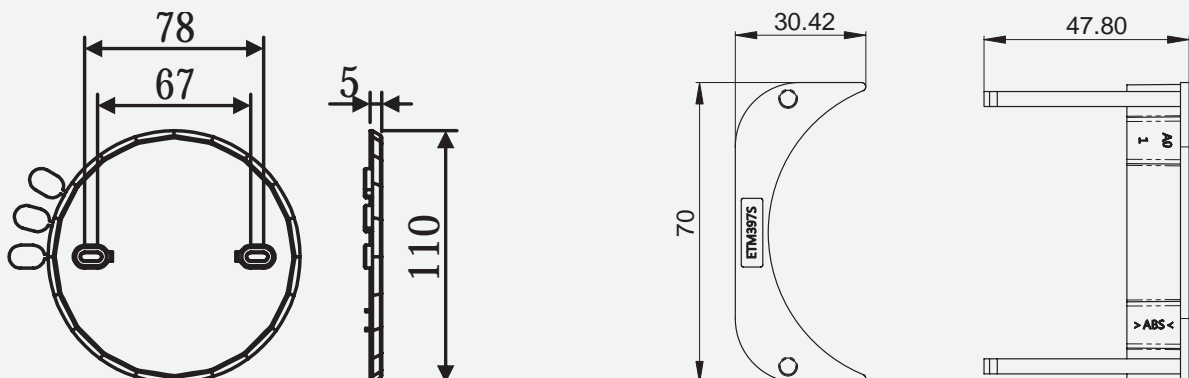
ETM397S IP20 PP HALOGEN FREE

Colour: green
 Certificates: CE
 Conforms with: RoHS
 Complies with the standards: IEC 60670-1
 Fire hazard test: 850°C (IEC60695-2-11)
 Working temperature: -25°C to +60°C;
 Installation temperature: -5°C to +25°C

Plastic piece to help wall box fit snugly into cut out holes. Can be used with wall boards thinner than standard plasterboards.

REFERENCE	PACKAGING OPTIONS	
ETM397S	1PCS	400PCS

Technical drawings



Accessories



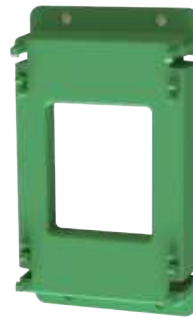
Connection box piece

ETM397S-1 **IP20** **PP** **HALOGEN FREE**

Colour: green
 Certificates: CE
 Conforms with: RoHS
 Complies with the standards: IEC 60670-1
 Fire hazard test: 850°C (IEC60695-2-11)
 Working temperature: -25°C to +60°C;
 Installation temperature: -5°C to +25°C

Plastic piece for connection box.

REFERENCE	PACKAGING OPTIONS	
ETM397S-1	1PCS	100PCS



Wall spacer

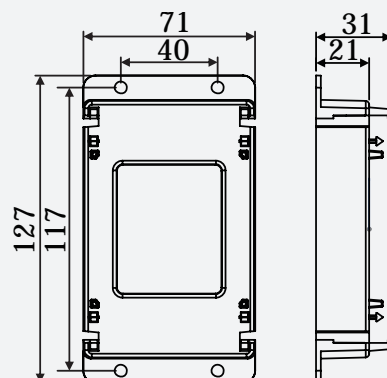
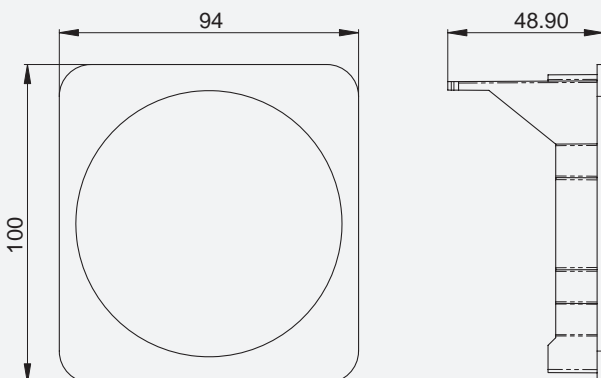
ETM640S **IP20** **PP** **HALOGEN FREE**

Colour: green
 Certificates: CE
 Conforms with: RoHS
 Complies with the standards: IEC 60670-1
 Fire hazard test: 850°C (IEC60695-2-11)
 Working temperature: -25°C to +60°C;
 Installation temperature: -5°C to +25°C

Green wall spacer with the height of 21mm.

REFERENCE	PACKAGING OPTIONS	
ETM640S	1PCS	120PCS

Technical drawings





Wall spacer

ETM396S

IP20

PP

HALOGEN FREE

Colour: white
 Certificates: CE
 Conforms with: RoHS
 Complies with the standards: IEC 60670-1
 Fire hazard test: 850°C (IEC60695-2-11)
 Working temperature: -25°C to +60°C;
 Installation temperature: -5°C to +25°C

Red wall spacer with the height of 25mm.

Wall spacer

ETM641S

IP20

PP

HALOGEN FREE

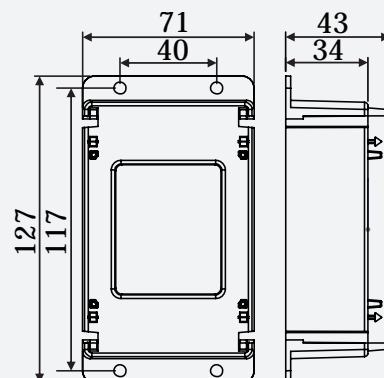
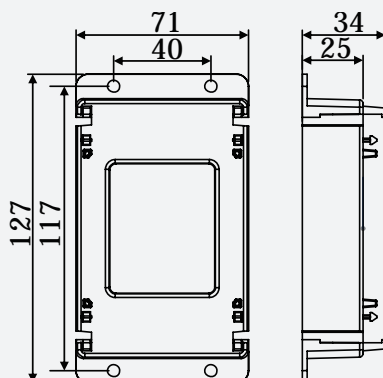
Colour: white
 Certificates: CE
 Conforms with: RoHS
 Complies with the standards: IEC 60670-1
 Fire hazard test: 850°C (IEC60695-2-11)
 Working temperature: -25°C to +60°C;
 Installation temperature: -5°C to +25°C

Yellow wall spacer with the height of 34mm.

REFERENCE	PACKAGING OPTIONS	
ETM396S	1PCS	100PCS

REFERENCE	PACKAGING OPTIONS	
ETM641S	1PCS	80PCS

Technical drawings



Accessories



Wall spacer

ETM649S IP20 PP HALOGEN FREE

Colour: white
 Certificates: CE
 Conforms with: RoHS
 Complies with the standards: IEC 60670-1
 Fire hazard test: 850°C (IEC60695-2-11)
 Working temperature: -25°C to +60°C;
 Installation temperature: -5°C to +25°C

Grey wall spacer with the height of 17mm.

REFERENCE	PACKAGING OPTIONS	
ETM649S	1PCS	120PCS



Wall spacer

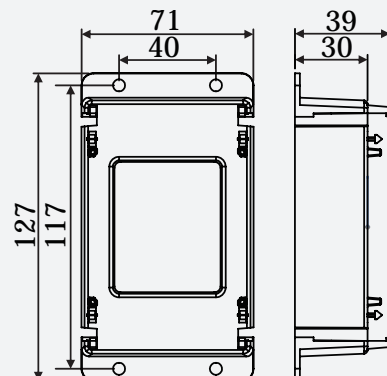
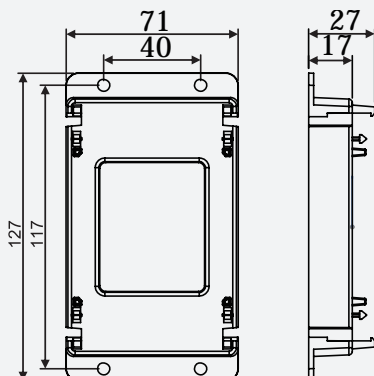
ETM650S IP20 PP HALOGEN FREE

Colour: white
 Certificates: CE
 Conforms with: RoHS
 Complies with the standards: IEC 60670-1
 Fire hazard test: 850°C (IEC60695-2-11)
 Working temperature: -25°C to +60°C;
 Installation temperature: -5°C to +25°C

Black wall spacer with the height of 30mm.

REFERENCE	PACKAGING OPTIONS	
ETM650S	1PCS	

Technical drawings





6mm extension ring for 1.5 wall boxes

ETM617S

IP20

PP

HALOGEN FREE

Colour: white
 Certificates: CE
 Conforms with: RoHS
 Complies with the standards: IEC 60670-1
 Fire hazard test: 850°C (IEC60695-2-11)
 Working temperature: -25°C to +60°C;
 Installation temperature: -5°C to +25°C

This 6mm high extension ring for the 1.5 wall box provides additional depth for enhanced flexibility in your installations. It can be stacked with another ring to achieve a total height of 12mm, accommodating various project requirements.

REFERENCE	PACKAGING OPTIONS	
ETM617S	1PCS	620PCS



Cover for 1.5 wall boxes

ETM618S

IP20

PP

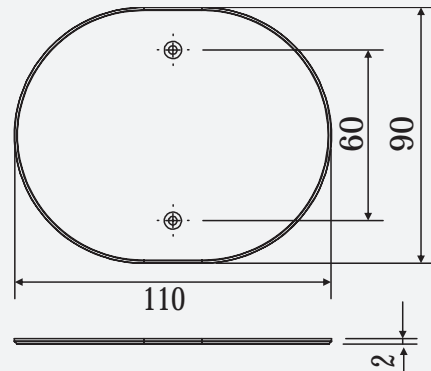
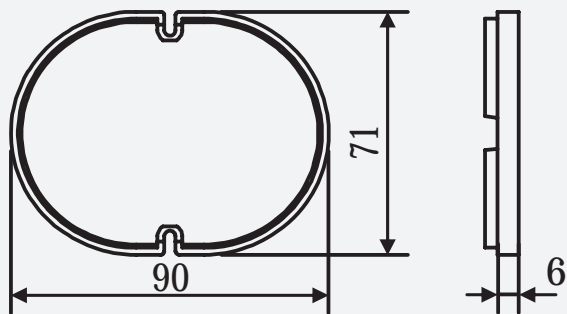
HALOGEN FREE

Colour: white
 Certificates: CE
 Conforms with: RoHS
 Complies with the standards: IEC 60670-1
 Fire hazard test: 850°C (IEC60695-2-11)
 Working temperature: -25°C to +60°C;
 Installation temperature: -5°C to +25°C

This cover for the 1.5 wall box provides a secure and clean finish, fixed in place with two screws spaced at cc 60mm. Designed to fit perfectly over the 1.5 wall box, it ensures a professional appearance while protecting internal components.

REFERENCE	PACKAGING OPTIONS	
ETM618S	1PCS	1320PCS

Technical drawings



Accessories



6mm extension ring for double wall boxes

ETM547S IP20 PP HALOGEN FREE

Colour: white
 Certificates: CE
 Conforms with: RoHS
 Complies with the standards: IEC 60670-1
 Fire hazard test: 850°C (IEC60695-2-11)
 Working temperature: -25°C to +60°C;
 Installation temperature: -5°C to +25°C

A practical accessory for the double wall box, designed to provide additional height. With a height of 6mm, it can be conveniently stacked to reach a total height of 12mm. The ring attaches securely to the box using four screws.

REFERENCE	PACKAGING OPTIONS	
ETM547S	1PCS	400PCS



Cover for double wall boxes

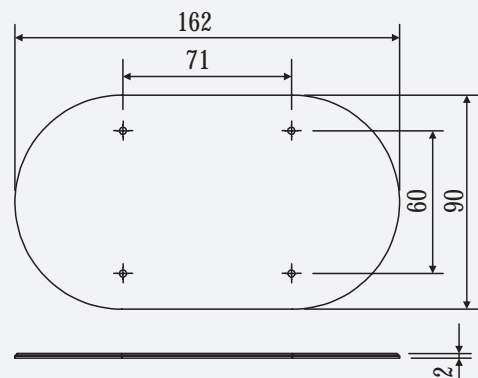
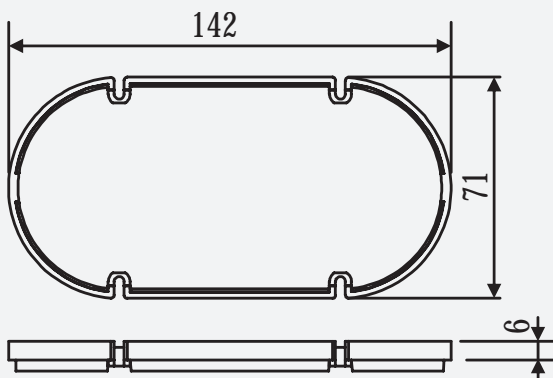
ETM619S IP20 PP HALOGEN FREE

Colour: white
 Certificates: CE
 Conforms with: RoHS
 Complies with the standards: IEC 60670-1
 Fire hazard test: 850°C (IEC60695-2-11)
 Working temperature: -25°C to +60°C;
 Installation temperature: -5°C to +25°C

The double wall box cover is an essential accessory designed to provide a secure and tidy finish to any electrical installation. It is secured with four screws, resulting in a secure and snug fit. This cover protects internal components from dust and debris.

REFERENCE	PACKAGING OPTIONS	
ETM619S	1PCS	200PCS

Technical drawings





Cover with a hook for ceiling box

ETM539S

IP20

PP

HALOGEN FREE

Colour: white
 Certificates: CE
 Conforms with: RoHS
 Complies with the standards: IEC 60670-1
 Fire hazard test: 850°C (IEC60695-2-11)
 Working temperature: -25°C to +60°C;
 Installation temperature: -5°C to +25°C

The cover, featuring a 70mm cc measurement, is equipped with a hook for hanging light fixtures (max 15kg).

REFERENCE	PACKAGING OPTIONS	
ETM539S	1PCS	100PCS



Cover for ceiling box

ETM004S

IP20

PP

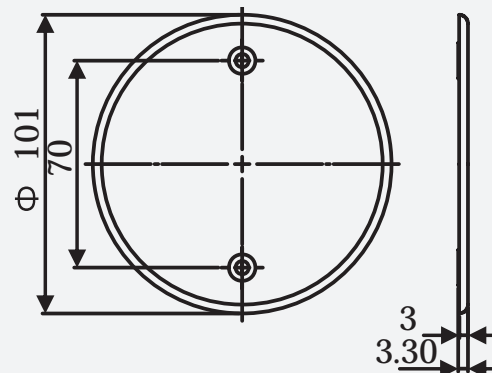
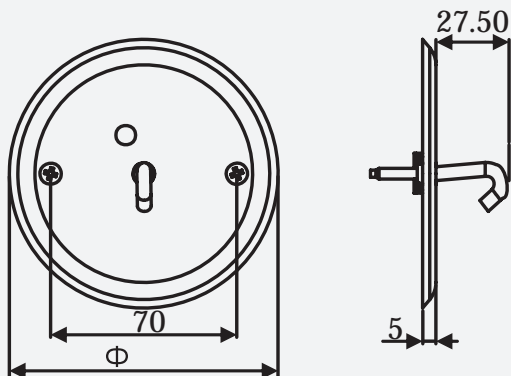
HALOGEN FREE

Colour: white
 Certificates: CE
 Conforms with: RoHS
 Complies with the standards: IEC 60670-1
 Fire hazard test: 850°C (IEC60695-2-11)
 Working temperature: -25°C to +60°C;
 Installation temperature: -5°C to +25°C

The ceiling box cover features a 70mm center-to-center (cc) measurement and a 100mm diameter.

REFERENCE	PACKAGING OPTIONS	
ETM004S	1PCS	800PCS

Technical drawings



Accessories



Cover with strain relief for ceiling box

ETM542S44V2 IP20 PP HALOGEN FREE

Colour: white
 Certificates: CE
 Conforms with: RoHS
 Complies with the standards: IEC 60670-1
 Fire hazard test: 850°C (IEC60695-2-11)
 Working temperature: -25°C to +60°C;
 Installation temperature: -5°C to +25°C

The ceiling box cover for cables Ø 6 - 15mm and strain relief features a cc78mm fixing centre.

REFERENCE	PACKAGING OPTIONS	
ETM542S44V2	1PCS	80PCS



Inlet converter for ceiling box

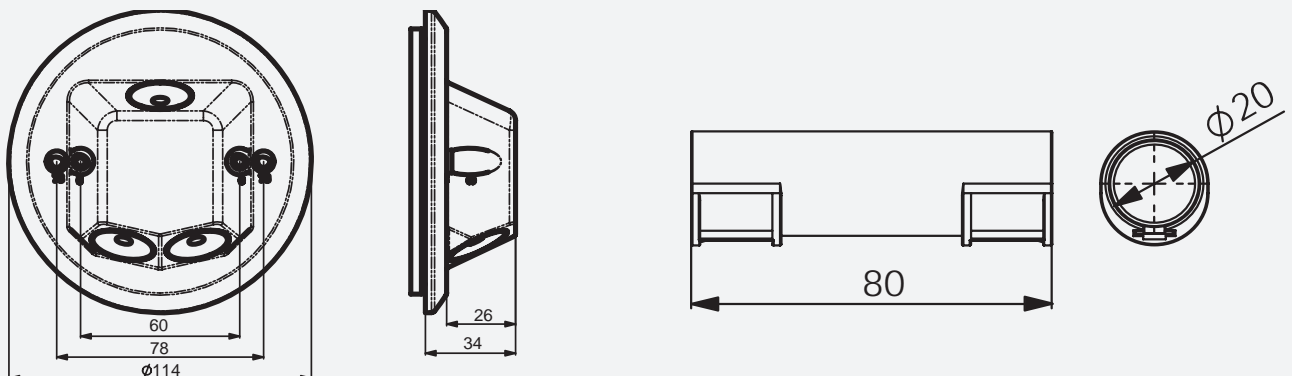
ETM238S IP20 PP HALOGEN FREE

Colour: white
 Certificates: CE
 Conforms with: RoHS
 Complies with the standards: IEC 60670-1
 Fire hazard test: 850°C (IEC60695-2-11)
 Working temperature: -25°C to +60°C;
 Installation temperature: -5°C to +25°C

The straight extension pipe designed to convert a 16mm conduit entry to a 20mm conduit entry. Featuring a locker on each end, it ensures a secure and stable connection, maintaining the reliability of the electrical installation.

REFERENCE	PACKAGING OPTIONS	
ETM238S	1PCS	500PCS

Technical drawings





Wall box inlet attachment for Ø16mm conduit

ETM393S

IP20

PP

HALOGEN FREE

Colour: blue

Certificates: CE

Conforms with: RoHS

Complies with the standards: IEC 60670-1

Fire hazard test: 850°C (IEC60695-2-11)

Working temperature: -25°C to +60°C;

Installation temperature: -5°C to +25°C

Two-way inlet attachment with 2xØ16mm entries for conduit. Inlets feature a locking spring, which keeps corrugated pipes in place. Comes with sealing caps.

REFERENCE	PACKAGING OPTIONS	
ETM393S	1PCS	500PCS



Wall box inlet attachment for Ø16mm and Ø20mm conduits

ETM331S

IP20

PP

HALOGEN FREE

Colour: blue

Certificates: CE

Conforms with: RoHS

Complies with the standards: IEC 60670-1

Fire hazard test: 850°C (IEC60695-2-11)

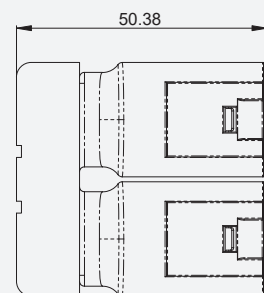
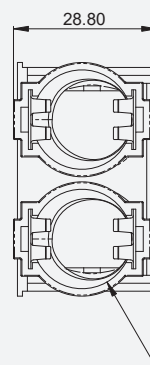
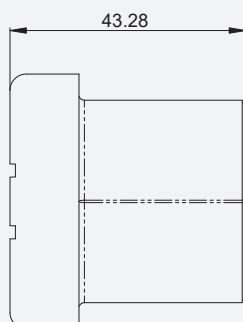
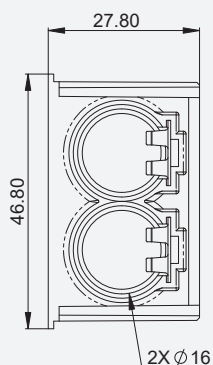
Working temperature: -25°C to +60°C;

Installation temperature: -5°C to +25°C

Two-way inlet attachment that fits Ø16mm and Ø20mm entries for conduit. Inlets feature a locking spring, which keeps corrugated pipes in place. Comes with sealing caps.

REFERENCE	PACKAGING OPTIONS	
ETM331S	1PCS	500PCS

Technical drawings



Accessories



Wall box inlet attachment with three Ø16mm conduit entries

ETM389S IP20 PP HALOGEN FREE

Colour: blue
 Certificates: CE
 Conforms with: RoHS
 Complies with the standards: IEC 60670-1
 Fire hazard test: 850°C (IEC60695-2-11)
 Working temperature: -25°C to +60°C;
 Installation temperature: -5°C to +25°C

Three-way inlet attachment with 3xØ16mm entries for conduit. Inlets feature a locking spring, which keeps corrugated pipes in place. Comes with sealing caps.

REFERENCE	PACKAGING OPTIONS	
ETM389S	1PCS	200PCS



Wall box inlet attachment with one Ø16mm conduit entry and two Ø16/Ø20mm entries

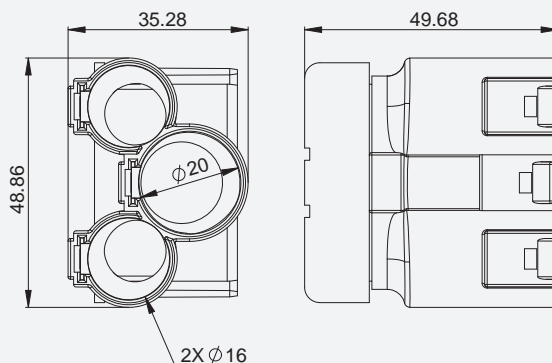
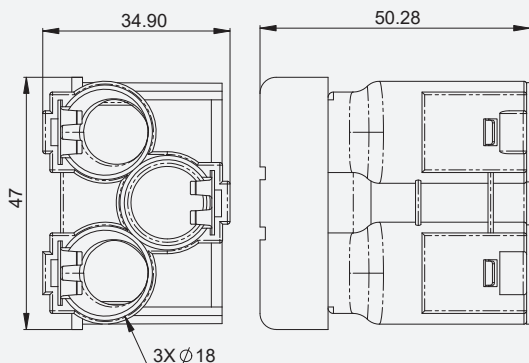
ETM822S IP20 PP HALOGEN FREE

Colour: blue
 Certificates: CE
 Conforms with: RoHS
 Complies with the standards: IEC 60670-1
 Fire hazard test: 850°C (IEC60695-2-11)
 Working temperature: -25°C to +60°C;
 Installation temperature: -5°C to +25°C

Three-way inlet attachment with two Ø16mm and one Ø16mm/Ø20mm entries for conduit. Inlets feature a locking spring, which keeps corrugated pipes in place.

REFERENCE	PACKAGING OPTIONS	
ETM822S	1PCS	200PCS

Technical drawings





Wall box inlet attachment with Ø25mm conduit entry

ETM646S

IP20

PP

HALOGEN FREE

Colour: blue
 Certificates: CE
 Conforms with: RoHS
 Complies with the standards: IEC 60670-1
 Fire hazard test: 850°C (IEC60695-2-11)
 Working temperature: -25°C to +60°C;
 Installation temperature: -5°C to +25°C

Single inlet attachment with one Ø25mm conduit entry. The inlet features a locking spring, which keeps corrugated pipes in place.

Wall box inlet attachment with Ø32mm conduit entry

ETM820S

IP20

PP

HALOGEN FREE

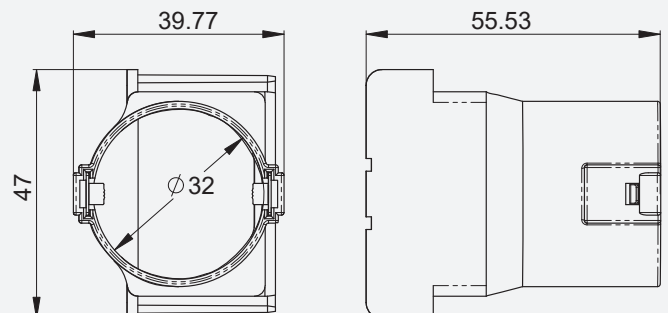
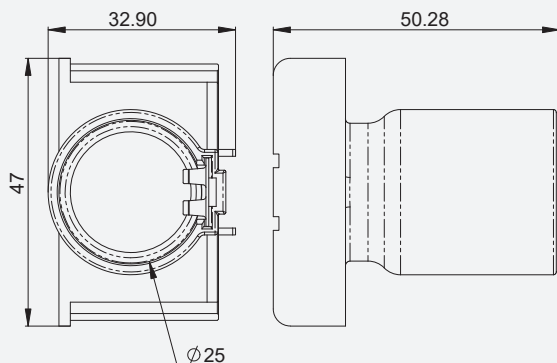
Colour: blue
 Certificates: CE
 Conforms with: RoHS
 Complies with the standards: IEC 60670-1
 Fire hazard test: 850°C (IEC60695-2-11)
 Working temperature: -25°C to +60°C;
 Installation temperature: -5°C to +25°C

Single inlet attachment with one Ø32mm conduit entry.

REFERENCE	PACKAGING OPTIONS	
ETM646S	1PCS	500PCS

REFERENCE	PACKAGING OPTIONS	
ETM820S	1PCS	400PCS

Technical drawings



Accessories



Wall box inlet attachment with Ø40mm conduit entry

ETM821S IP20 PP HALOGEN FREE

Colour: blue
 Certificates: CE
 Conforms with: RoHS
 Complies with the standards: IEC 60670-1
 Fire hazard test: 850°C (IEC60695-2-11)
 Working temperature: -25°C to +60°C;
 Installation temperature: -5°C to +25°C

Single inlet attachment with one Ø40mm conduit entry.

Ceiling box inlet with Ø16/Ø20mm conduit entries

ETM648S IP20 PP HALOGEN FREE

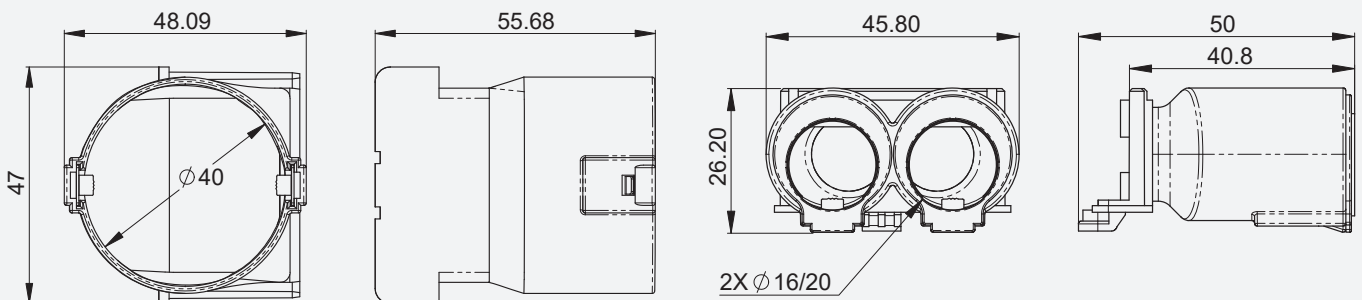
Colour: blue
 Certificates: CE
 Conforms with: RoHS
 Complies with the standards: IEC 60670-1
 Fire hazard test: 850°C (IEC60695-2-11)
 Working temperature: -25°C to +60°C;
 Installation temperature: -5°C to +25°C

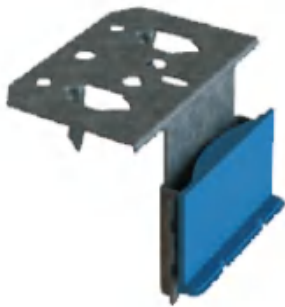
Inlet attachment for ceiling boxes to provide additional conduit entry options. Can fit Ø16mm and Ø20mm corrugated pipes. Each inlet comes with sealing caps to ensure secure and protected connections.

REFERENCE	PACKAGING OPTIONS	
ETM821S	1PCS	300PCS

REFERENCE	PACKAGING OPTIONS	
ETM648S	1PCS	500PCS

Technical drawings





Single wall box fixing plate

ETM642S

IP20

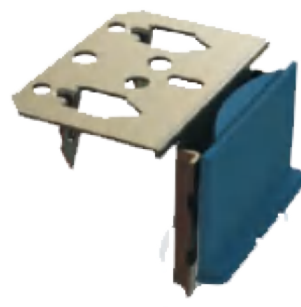
PP

HALOGEN FREE

Colour: blue
 Certificates: CE
 Conforms with: RoHS
 Complies with the standards: IEC 60670-1
 Fire hazard test: 850°C (IEC60695-2-11)
 Working temperature: -25°C to +60°C;
 Installation temperature: -5°C to +25°C

Steel plate for a single wall box 60mm with height for a single plasterboard. The steel plate features pins for easy fixing it to wooden studs.

REFERENCE	PACKAGING OPTIONS	
ETM642S	1PCS	640PCS



Single wall box fixing plate

ETM643S

IP20

PP

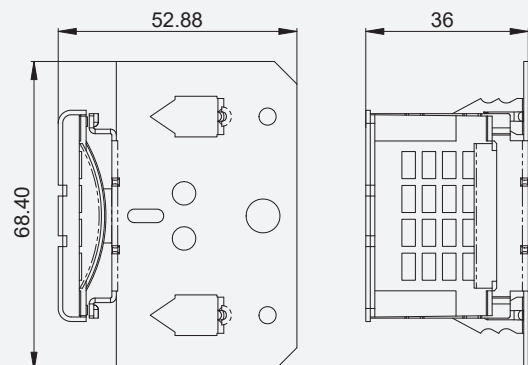
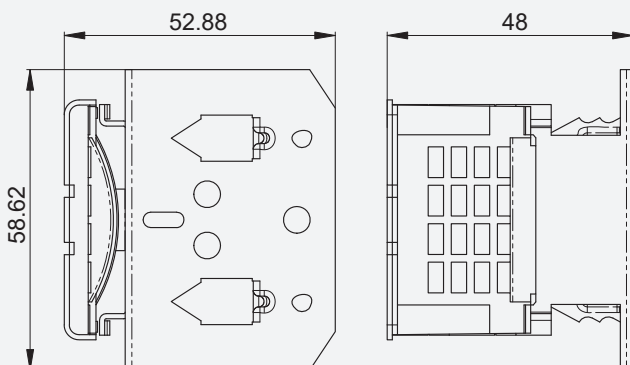
HALOGEN FREE

Colour: blue
 Certificates: CE
 Conforms with: RoHS
 Complies with the standards: IEC 60670-1
 Fire hazard test: 850°C (IEC60695-2-11)
 Working temperature: -25°C to +60°C;
 Installation temperature: -5°C to +25°C

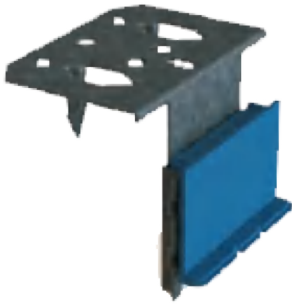
Steel plate for a single wall box 60mm with height for a double plasterboard. The steel plate features pins for easy fixing it to wooden studs.

REFERENCE	PACKAGING OPTIONS	
ETM643S	1PCS	640PCS

Technical drawings



Accessories



1.5 wall box fixing plate

ETM644S IP20 PP HALOGEN FREE

Colour: blue
 Certificates: CE
 Conforms with: RoHS
 Complies with the standards: IEC 60670-1
 Fire hazard test: 850°C (IEC60695-2-11)
 Working temperature: -25°C to +60°C;
 Installation temperature: -5°C to +25°C

Steel plate for a one and half wall box 60mm with height for a single plasterboard. The steel plate features pins for easy fixing it to wooden studs.

REFERENCE	PACKAGING OPTIONS
ETM644S	1PCS



1.5 wall box fixing plate

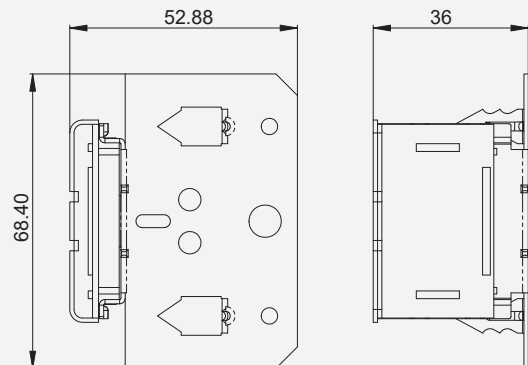
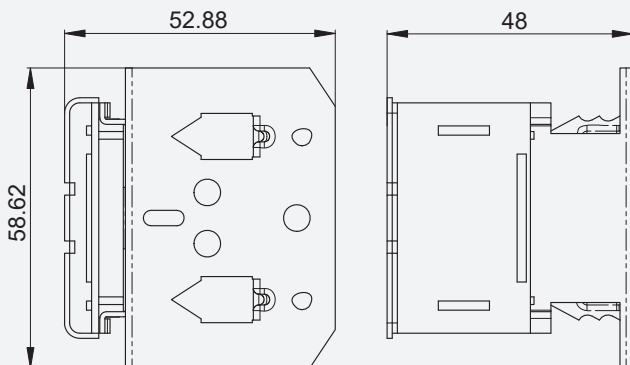
ETM645S IP20 PP HALOGEN FREE

Colour: blue
 Certificates: CE
 Conforms with: RoHS
 Complies with the standards: IEC 60670-1
 Fire hazard test: 850°C (IEC60695-2-11)
 Working temperature: -25°C to +60°C;
 Installation temperature: -5°C to +25°C

Steel plate for a one and half wall box 60mm with height for a double plasterboard. The steel plate features pins for easy fixing it to wooden studs.

REFERENCE	PACKAGING OPTIONS
ETM645S	1PCS

Technical drawings





Frame extension for cc 71mm distance

ETM332S

IP20

PP

HALOGEN FREE

Colour: blue
 Certificates: CE
 Conforms with: RoHS
 Complies with the standards: IEC 60670-1
 Fire hazard test: 850°C (IEC60695-2-11)
 Working temperature: -25°C to +60°C;
 Installation temperature: -5°C to +25°C

Frame extension constructed for cc distance of 71mm between the boxes.

REFERENCE	PACKAGING OPTIONS	
ETM332S	1PCS	1000PCS



Frame extension for cc 84mm distance

ETM333S

IP20

PP

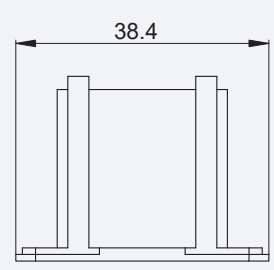
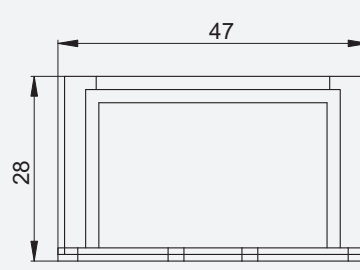
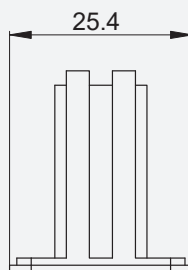
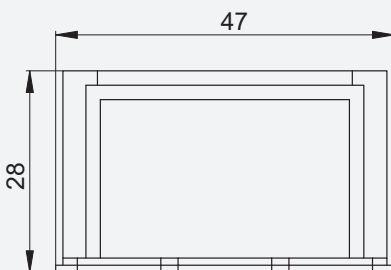
HALOGEN FREE

Colour: blue
 Certificates: CE
 Conforms with: RoHS
 Complies with the standards: IEC 60670-1
 Fire hazard test: 850°C (IEC60695-2-11)
 Working temperature: -25°C to +60°C;
 Installation temperature: -5°C to +25°C

Frame extension constructed for cc distance of 84mm between the boxes.

REFERENCE	PACKAGING OPTIONS	
ETM333S	1PCS	600PCS

Technical drawings



Accessories



Closed frame extension for cc 71mm distance

ETM332SC **IP20** **PP** **HALOGEN FREE**

Colour: blue
 Certificates: CE
 Conforms with: RoHS
 Complies with the standards: IEC 60670-1
 Fire hazard test: 850°C (IEC60695-2-11)
 Working temperature: -25°C to +60°C;
 Installation temperature: -5°C to +25°C

Closed frame extension constructed for cc distance of 71mm between the boxes.

REFERENCE	PACKAGING OPTIONS	
ETM332SC	1PCS	1000PCS



Closed frame extension for cc 84mm distance

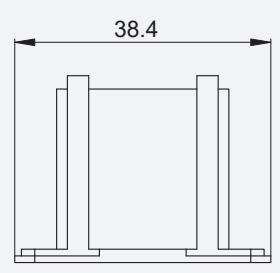
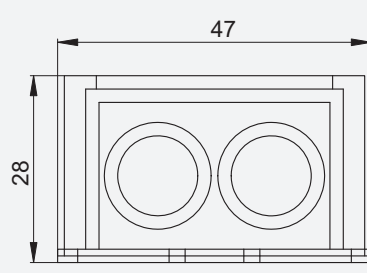
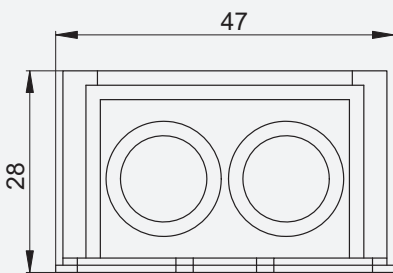
ETM333SC **IP20** **PP** **HALOGEN FREE**

Colour: blue
 Certificates: CE
 Conforms with: RoHS
 Complies with the standards: IEC 60670-1
 Fire hazard test: 850°C (IEC60695-2-11)
 Working temperature: -25°C to +60°C;
 Installation temperature: -5°C to +25°C

Closed frame extension constructed for cc distance of 84mm between the boxes.

REFERENCE	PACKAGING OPTIONS	
ETM333SC	1PCS	500PCS

Technical drawings





Blind extension for wall box

ETM384S

IP20

PP

HALOGEN FREE

Colour: blue
 Certificates: CE
 Conforms with: RoHS
 Complies with the standards: IEC 60670-1
 Fire hazard test: 850°C (IEC60695-2-11)
 Working temperature: -25°C to +60°C;
 Installation temperature: -5°C to +25°C

Can be used to close box sides.

REFERENCE	PACKAGING OPTIONS	
ETM384S	1PCS	2000PCS



Coupling bush for wall box

ETM612S

IP20

PP

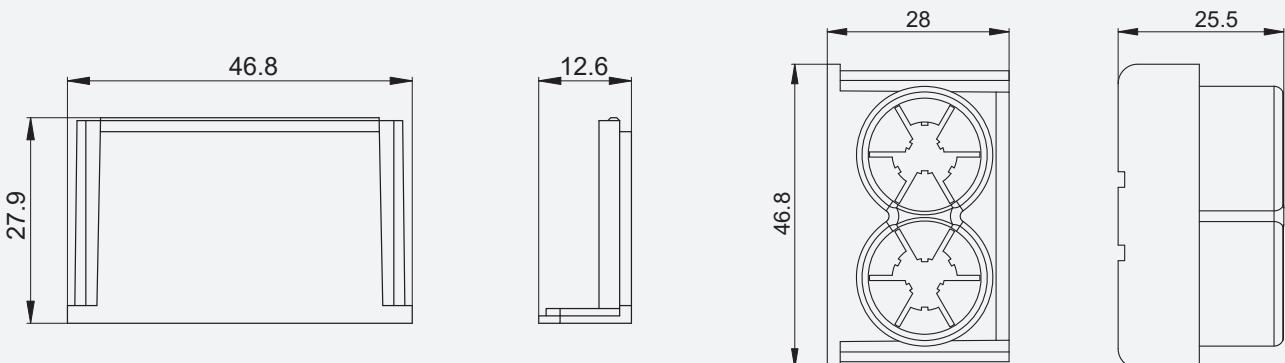
HALOGEN FREE

Colour: blue
 Certificates: CE
 Conforms with: RoHS
 Complies with the standards: IEC 60670-1
 Fire hazard test: 850°C (IEC60695-2-11)
 Working temperature: -25°C to +60°C;
 Installation temperature: -5°C to +25°C

Coupling bushes with tension reliefs for MMJ and EKK type cables that are 3G1.5mm² and 3G2.5mm². The outside diameters for bushes are Ø9mm and Ø10mm.

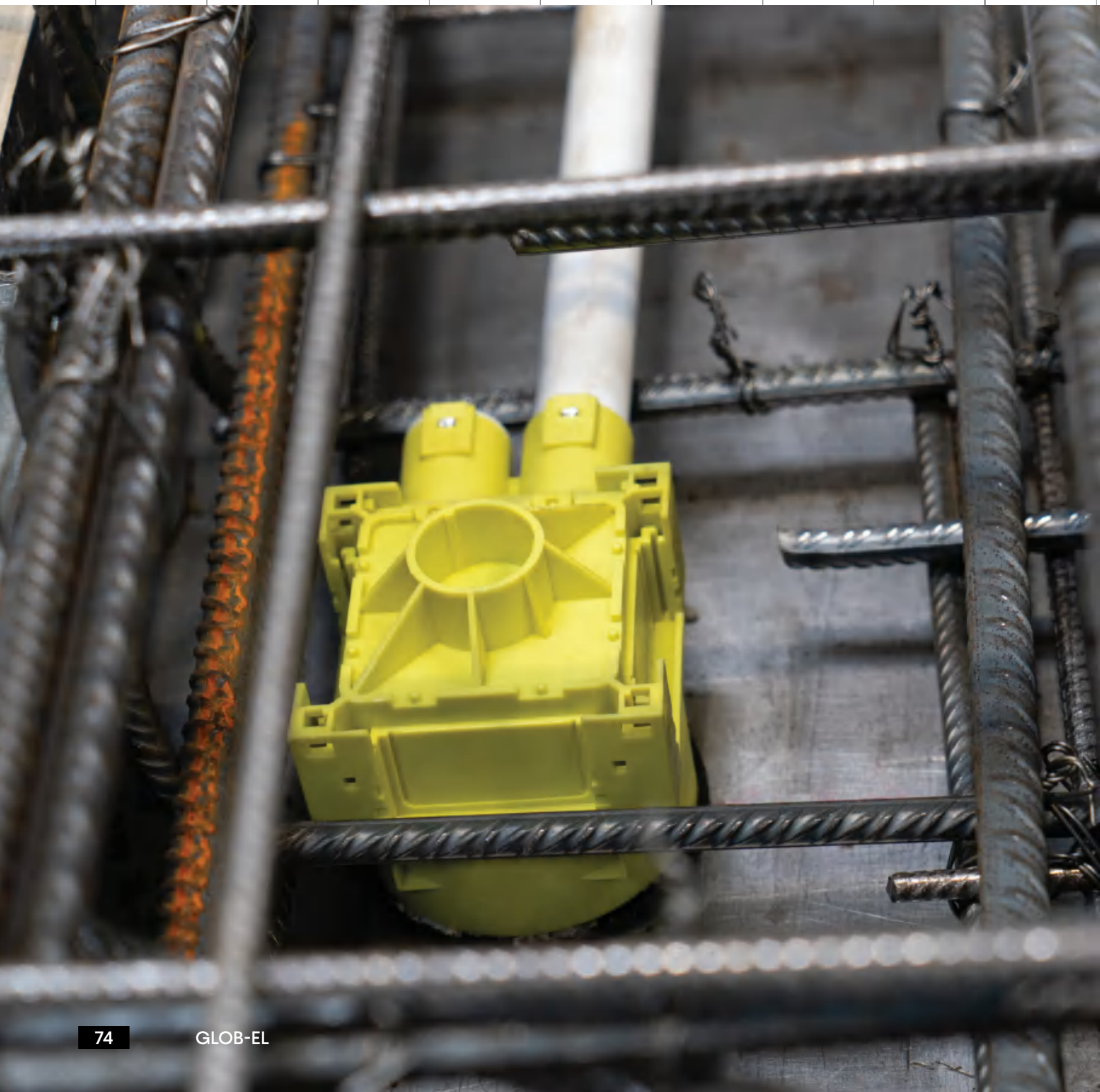
REFERENCE	PACKAGING OPTIONS	
ETM612S	1PCS	500PCS

Technical drawings



FOR FABRICATION AND CONCRETE CASTING

Universal series



On-site concrete casting is a versatile, efficient method for constructing large structures and surfaces like walls, floors, and slabs. It involves pouring fresh concrete, mixed on-site or delivered, into moulds prepared with reinforcement and installation components. The concrete is then compacted for strength and uniformity. Once cured, the mould is removed, and the surface is finished to meet design and functional requirements. Its flexibility makes on-site casting suitable for various projects, easily adapting to different designs and materials.

Wooden moulds are commonly used for on-site mixed concrete due to their easy customisation. Coating them with plastic or synthetic resin improves durability and provides a smoother finish. Electrical installation wall boxes are simply nailed

onto the wood, keeping them securely in place during casting.

For prefabrication, steel moulds offer a robust, reusable alternative. They resist warping and ensure precise, repeatable results. Since nailing isn't an option, electrical wall boxes are attached using methods suited to steel, such as expansion dowels, magnets, adhesive foils, or hot glue, for a secure hold and accurate alignment.

Our wall boxes are engineered for seamless integration with both the industry's most widely used magnets and standard on-site moulding techniques. Whether you're working with wooden formwork or steel moulds, their adaptable design ensures quick, secure installation in any casting environment.

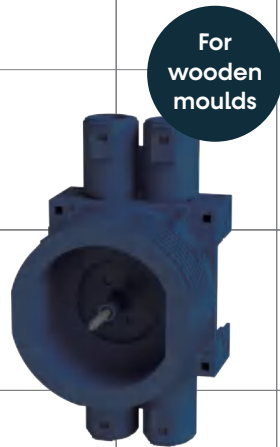
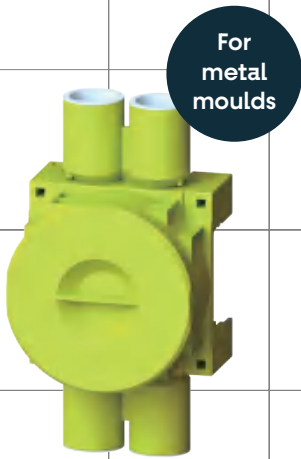
PRODUCT RANGE



EASY CUSTOMISATION AND MODULAR DESIGN

Our modular wall boxes easily gang together, enabling custom configurations for switches, sockets, and LEDs - offering flexible, scalable solutions that simplify installation and boost functionality.

Product overview



IP30 boxes for fabrication

Our concrete wall boxes are built for performance and flexibility. They feature changeable inlets with conduit locking plates and sealing caps, and are compatible with the BULO system.

Boxes can be joined using attachments, with optional lids sold separately. Height is adjustable via inner rings (60 mm centers, M3 screws). The interior fits standard casting magnets and withstands high temperatures up to 90°C.

IP30 boxes for on-site casting

Designed for on-site concrete casting, our wall boxes feature changeable inlets with conduit locking plates and sealing caps. Compatible with the BULO system, they can be joined using connector ETM791S.

Each box includes a mould-mounting lid that fits magnets for metal moulds or attaches to wooden moulds with glue or special nails. Inner rings allow height adjustment (60 mm centers, M3 screws), and the boxes withstand casting temperatures up to 90°C.

IP20 boxes for brick walls

Designed for flush mounting in solid walls such as brick, concrete, ytong, leca, and similar materials. It includes single or double inlet attachments as standard, with the option to add inlets on all four sides. Boxes connect directly without additional accessories. Each unit comes with a transparent lid that can be easily knocked out. The standard depth is 47 mm, adjustable up to 57 mm with a telescopic 10 mm inner ring. The box self-fixes securely into an 82 mm hole.

Wall boxes for concrete casting



Wall box without lid with Ø20mm inlet

ETM780S

IP30

PP

HALOGEN FREE

Colour: yellow

Certificates: CE, Semko

Conforms with: RoHS, LVD, WEEE

Complies with the standards: IEC 60670-1

Fire hazard test: 850°C (IEC60695-2-11)

Working temperature: -25°C to +60°C;

Installation temperature: -5°C to +25°C

This box features a 2xØ20mm (ETM793S) inlet and comes without a lid. It is open from the box to the inlet, with plugs at the end of the inlets, and always requires at least one inlet to be used. The box is open on one side to accommodate this, while the other three sides are closed but allow for additional inlets to be mounted as needed. Comes with an inner ring for height adjustment.

REFERENCE	PACKAGING OPTIONS	
ETM780S	1PCS	100PCS



Wall box without lid with Ø20mm inlets

ETM781S

IP30

PP

HALOGEN FREE

Colour: yellow

Certificates: CE, Semko

Conforms with: RoHS, LVD, WEEE

Complies with the standards: IEC 60670-1

Fire hazard test: 850°C (IEC60695-2-11)

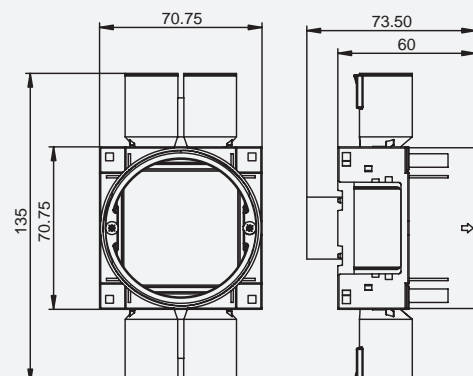
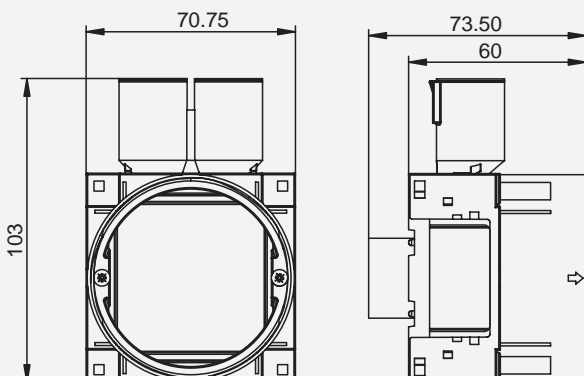
Working temperature: -25°C to +60°C;

Installation temperature: -5°C to +25°C

This wall box for concrete casting, without a lid, features two 2xØ20mm (ETM793S) inlets and open access from the box to the inlets. With plugs at the inlet ends, it requires at least one inlet to be used. It has one open side and three closed sides for additional inlets, and includes an inner ring for height adjustment.

REFERENCE	PACKAGING OPTIONS	
ETM781S	1PCS	75PCS

Technical drawings



Wall boxes for concrete casting



Wall box with lid and Ø20mm inlet

ETM812S IP30 PP HALOGEN FREE

Colour: blue
 Certificates: CE, Semko
 Conforms with: RoHS, LVD, WEEE
 Complies with the standards: IEC 60670-1
 Fire hazard test: 850°C (IEC60695-2-11)
 Working temperature: -25°C to +60°C;
 Installation temperature: -5°C to +25°C

This wall box for concrete casting comes with a lid (ETM794S) and features a top-mounted 2xØ20mm (ETM793S) inlet. It has three closed sides with options to add more inlets and includes an inner ring for height adjustment.

REFERENCE	PACKAGING OPTIONS	
ETM812S	1PCS	100PCS



Wall box with lid and Ø20mm inlets

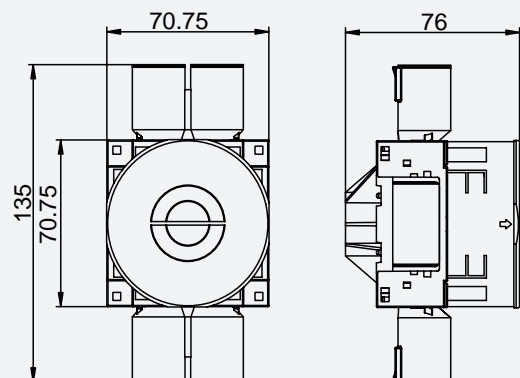
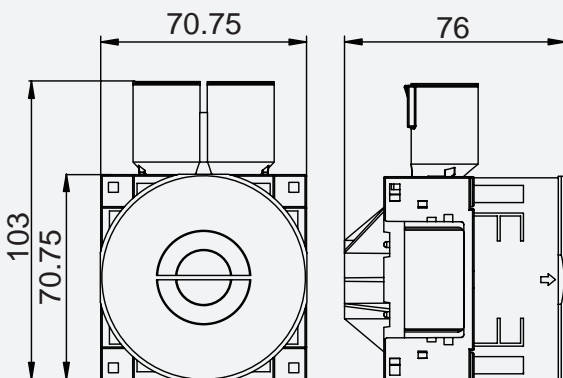
ETM813S IP30 PP HALOGEN FREE

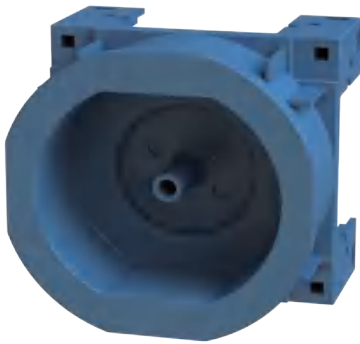
Colour: blue
 Certificates: CE, Semko
 Conforms with: RoHS, LVD, WEEE
 Complies with the standards: IEC 60670-1
 Fire hazard test: 850°C (IEC60695-2-11)
 Working temperature: -25°C to +60°C;
 Installation temperature: -5°C to +25°C

This wall box for concrete casting comes with a lid (ETM794S) and features two top-mounted 2xØ20mm (ETM793S) inlets. It has two closed sides with options to add more inlets and includes an inner ring for height adjustment.

REFERENCE	PACKAGING OPTIONS	
ETM813S	1PCS	75PCS

Technical drawings





Wall box with mounting lid

ETM782S

IP30

PP

HALOGEN FREE

Colour: blue
 Certificates: CE, Semko
 Conforms with: RoHS, LVD, WEEE
 Complies with the standards: IEC 60670-1
 Fire hazard test: 850°C (IEC60695-2-11)
 Working temperature: -25°C to +60°C;
 Installation temperature: -5°C to +25°C

This concrete box is designed for maximum flexibility, coming with no pre-installed inlets but allowing for inlets to be added as needed. It features a multi-function mounting lid (ETM790S), providing versatile installation options.

REFERENCE	PACKAGING OPTIONS	
ETM782S	1PCS	100PCS



Wall box with mounting lid and Ø16/Ø20mm inlet

ETM784S

IP30

PP

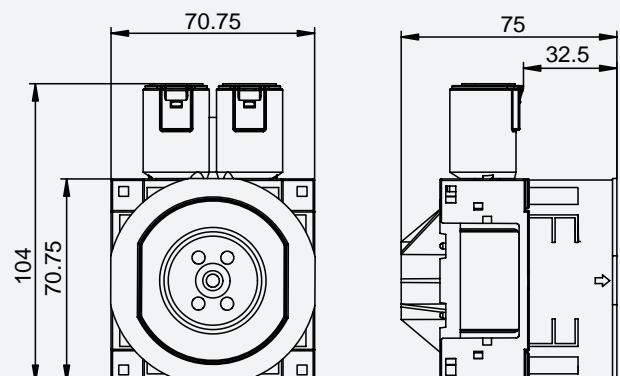
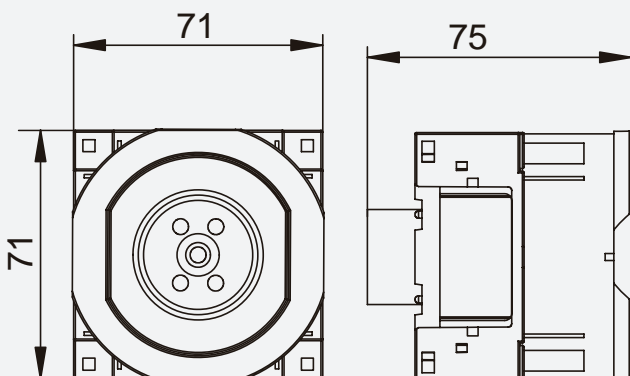
HALOGEN FREE

Colour: blue
 Certificates: CE, Semko
 Conforms with: RoHS, LVD, WEEE
 Complies with the standards: IEC 60670-1
 Fire hazard test: 850°C (IEC60695-2-11)
 Working temperature: -25°C to +60°C;
 Installation temperature: -5°C to +25°C

This concrete box is designed for maximum flexibility, featuring one 2xØ16/20mm inlet (ETM788S) compatible with Ø16mm and Ø20mm conduits. Additional inlets can be added as needed. It includes a multi-function mounting lid (ETM790S), providing versatile installation options.

REFERENCE	PACKAGING OPTIONS	
ETM784S	1PCS	75PCS

Technical drawings



Wall boxes for concrete casting



Wall box with mounting lid and Ø16/Ø20mm inlets

ETM786S IP30 PP HALOGEN FREE

Colour: blue
 Certificates: CE, Semko
 Conforms with: RoHS, LVD, WEEE
 Complies with the standards: IEC 60670-1
 Fire hazard test: 850°C (IEC60695-2-11)
 Working temperature: -25°C to +60°C;
 Installation temperature: -5°C to +25°C

This concrete box is designed for maximum flexibility, featuring two 2xØ16/20mm inlets (ETM788S) compatible with Ø16mm and Ø20mm conduits. Additional inlets can be added as needed. It includes a multi-function mounting lid (ETM790S), providing versatile installation options.

REFERENCE	PACKAGING OPTIONS	
ETM786S	1PCS	75PCS



Wall box with mounting lid and nail for on-site concrete casting

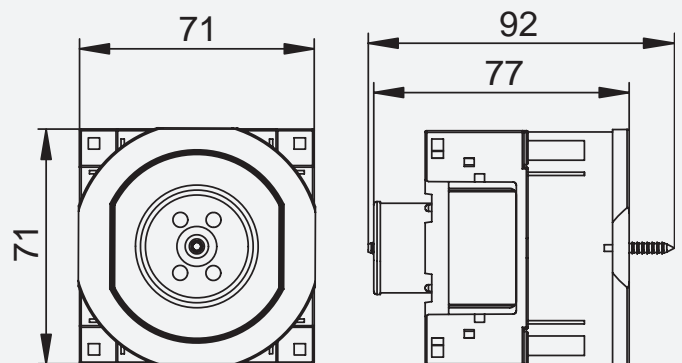
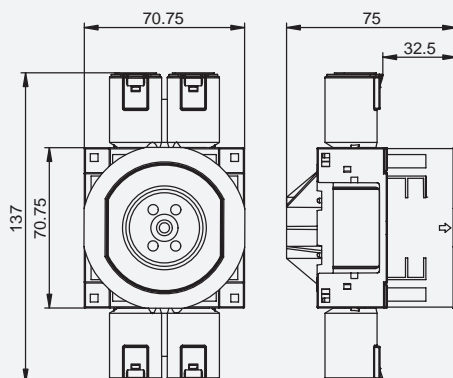
ETM783S IP30 PP HALOGEN FREE

Colour: blue
 Certificates: CE, Semko
 Conforms with: RoHS, LVD, WEEE
 Complies with the standards: IEC 60670-1
 Fire hazard test: 850°C (IEC60695-2-11)
 Working temperature: -25°C to +60°C;
 Installation temperature: -5°C to +25°C

This concrete box is designed for flexibility, with no pre-installed inlets but the option to add them to any of its four sides. It features a secure LID ETM790S with a nail and plastic fastening, and a nail plug for easy installation. Measuring 71mm in diameter and 60.5mm in depth, it connects effortlessly with other boxes using ETM791S connecting pieces, maintaining a 71mm center-to-center distance.

REFERENCE	PACKAGING OPTIONS	
ETM783S	1PCS	100PCS

Technical drawings





Wall box with mounting lid, nail and Ø16/Ø20mm inlet for on-site concrete casting

ETM785S

IP30

PP

HALOGEN FREE

Colour: blue
 Certificates: CE, Semko
 Conforms with: RoHS, LVD, WEEE
 Complies with the standards: IEC 60670-1
 Fire hazard test: 850°C (IEC60695-2-11)
 Working temperature: -25°C to +60°C;
 Installation temperature: -5°C to +25°C

It comes with an inlet ETM788S 2xØ16/20mm mounted on top. The lid includes a nail and plastic fastening, with a nail plug on the back for secure installation. With a diameter of 71mm and a depth of 60mm, this box is built for versatility. Multiple boxes can be connected using the ETM791S, with cc distance of 71mm. Additionally, it features a turnable ring with a fixing center of 60mm and M3 screws.

REFERENCE	PACKAGING OPTIONS	
ETM785S	1PCS	80PCS



Wall box with mounting lid, nail and Ø16/Ø20mm inlets for on-site concrete casting

ETM787S

IP30

PP

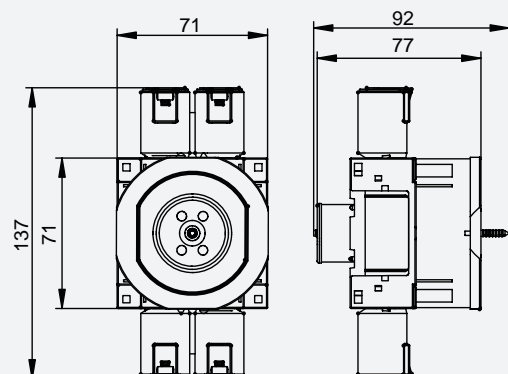
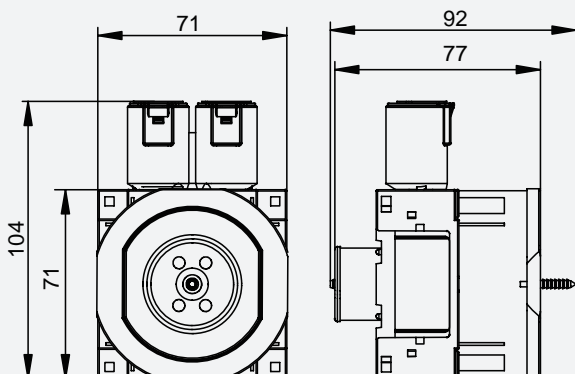
HALOGEN FREE

Colour: blue
 Certificates: CE, Semko
 Conforms with: RoHS, LVD, WEEE
 Complies with the standards: IEC 60670-1
 Fire hazard test: 850°C (IEC60695-2-11)
 Working temperature: -25°C to +60°C;
 Installation temperature: -5°C to +25°C

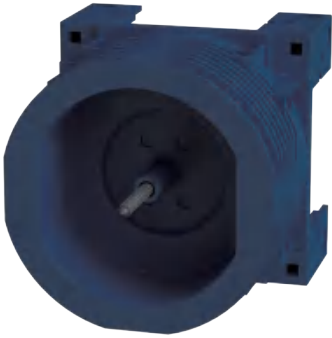
The box has two inlets ETM788S 2xØ16/20mm. The lid includes a nail and plastic fastening, with a nail plug on the back for secure installation. With a diameter of 71mm and a depth of 60mm, this box is built for versatility. Multiple boxes can be connected using the ETM791S, with cc distance of 71mm. Additionally, it features a turnable ring with a fixing center of 60mm and M3 screws.

REFERENCE	PACKAGING OPTIONS	
ETM787S	1PCS	60PCS

Technical drawings



Wall boxes for concrete casting



Wall box with mounting lid and nail for on-site concrete casting

ETM797S IP30 PP HALOGEN FREE

Colour: blue
 Certificates: CE, Semko
 Conforms with: RoHS, LVD, WEEE
 Complies with the standards: IEC 60670-1
 Fire hazard test: 850°C (IEC60695-2-11)
 Working temperature: -25°C to +60°C;
 Installation temperature: -5°C to +25°C

This concrete box is taller than the ETM787S model, offering extra space for versatile installations. It comes with a lid ETM790S.

REFERENCE	PACKAGING OPTIONS	
ETM797S	1PCS	100PCS



Wall box with mounting lid, nail and Ø16/Ø20mm inlet for on-site concrete casting

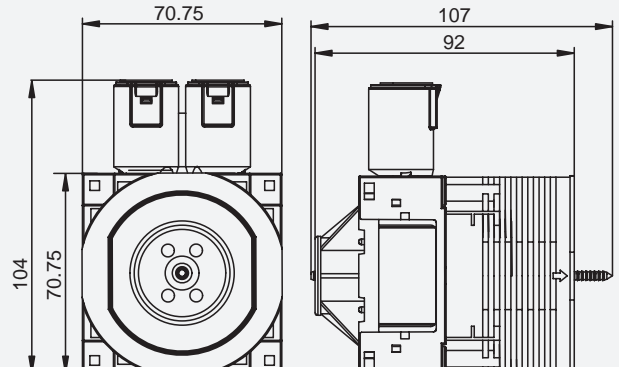
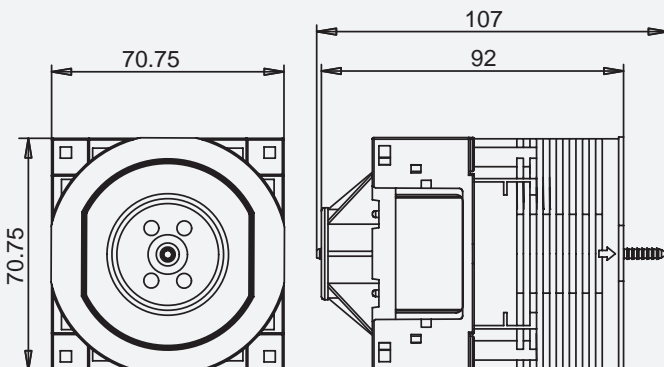
ETM796S IP30 PP HALOGEN FREE

Colour: blue
 Certificates: CE, Semko
 Conforms with: RoHS, LVD, WEEE
 Complies with the standards: IEC 60670-1
 Fire hazard test: 850°C (IEC60695-2-11)
 Working temperature: -25°C to +60°C;
 Installation temperature: -5°C to +25°C

This concrete box is taller than the ETM787S model, offering extra space for versatile installations. It comes with a single inlet ETM788S (2xØ16/20mm) and lid ETM790S.

REFERENCE	PACKAGING OPTIONS	
ETM796S	1PCS	60PCS

Technical drawings





Wall box with mounting lid, nail and Ø16/ Ø20mm inlets for on-site concrete casting

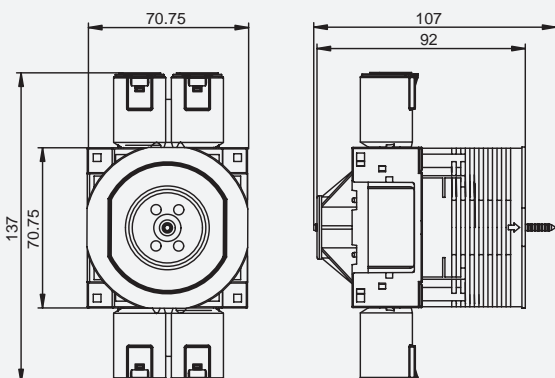
ETM795S **IP30** **PP** **HALOGEN FREE**

Colour: blue
 Certificates: CE, Semko
 Conforms with: RoHS, LVD, WEEE
 Complies with the standards: IEC 60670-1
 Fire hazard test: 850°C (IEC60695-2-11)
 Working temperature: -25°C to +60°C;
 Installation temperature: -5°C to +25°C

This concrete box is taller than the ETM787S model, offering extra space for versatile installations. It comes equipped with two plugged inlets ETM788S (2xØ16/20mm) for secure conduit connections. The box features a mounted LID ETM790S, complete with a nail and plastic fastening, and a nail plug on the back for added security.

REFERENCE	PACKAGING OPTIONS	
ETM795S	1PCS	55PCS

Technical drawings



Wall boxes for solid walls



Wall box for solid walls with Ø16/Ø20mm inlet

ETM680S

IP20

PP

HALOGEN FREE

Colour: blue
 Certificates: CE
 Conforms with: RoHS, LVD, WEEE
 Complies with the standards: IEC 60670-1
 Fire hazard test: 850°C (IEC60695-2-11)
 Working temperature: -25°C to +60°C;
 Installation temperature: -5°C to +25°C

This solid materials box features a Ø16/20mm inlet and an adjustable telescopic ring with a 10mm range. It offers a depth adjustment from 47mm to 57mm and includes 16mm knockouts on the sides and bottom. The transparent plastic lid can be easily knocked out, and the box fits securely in drilled holes without needing plaster. Use an 82mm hole saw for installation.

REFERENCE	PACKAGING OPTIONS	
ETM680S	1PCS	80PCS



Wall box for solid walls with Ø16/Ø20mm inlet

ETM681S

IP20

PP

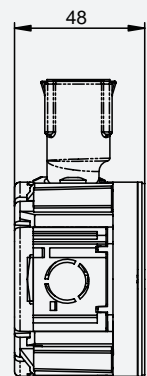
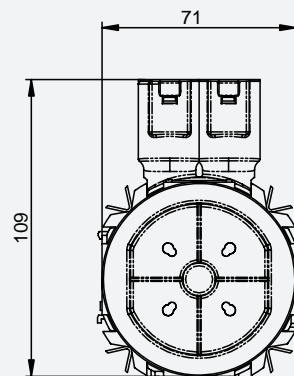
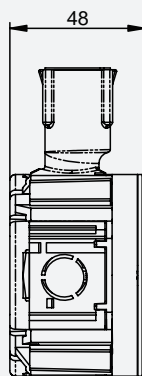
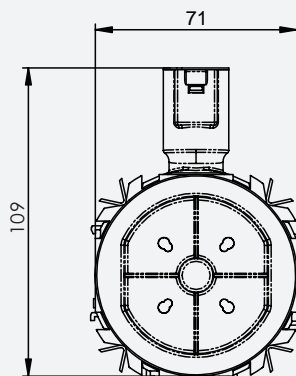
HALOGEN FREE

Colour: blue
 Certificates: CE
 Conforms with: RoHS, LVD, WEEE
 Complies with the standards: IEC 60670-1
 Fire hazard test: 850°C (IEC60695-2-11)
 Working temperature: -25°C to +60°C;
 Installation temperature: -5°C to +25°C

This solid materials box features a 2xØ16/20mm inlet and an adjustable telescopic ring with a 10mm range. It offers a depth adjustment from 47mm to 57mm and includes 16mm knockouts on the sides and bottom. The transparent plastic lid can be easily knocked out, and the box fits securely in drilled holes without needing plaster. Use an 82mm hole saw for installation.

REFERENCE	PACKAGING OPTIONS	
ETM681S	1PCS	80PCS

Technical drawings





Single Ø16/Ø20mm inlet for solid wall box

ETM682S

IP20

PP

HALOGEN FREE

Colour: blue
 Certificates: CE
 Conforms with: RoHS, LVD, WEEE
 Complies with the standards: IEC 60670-1
 Fire hazard test: 850°C (IEC60695-2-11)
 Working temperature: -25°C to +60°C;
 Installation temperature: -5°C to +25°C

This single inlet attachment features a 1xØ16/20mm conduit connection and can be added to any of the four sides of the box.

REFERENCE	PACKAGING OPTIONS	
ETM682S	1PCS	500PCS



Double Ø16/Ø20mm inlet for solid wall box

ETM683S

IP20

PP

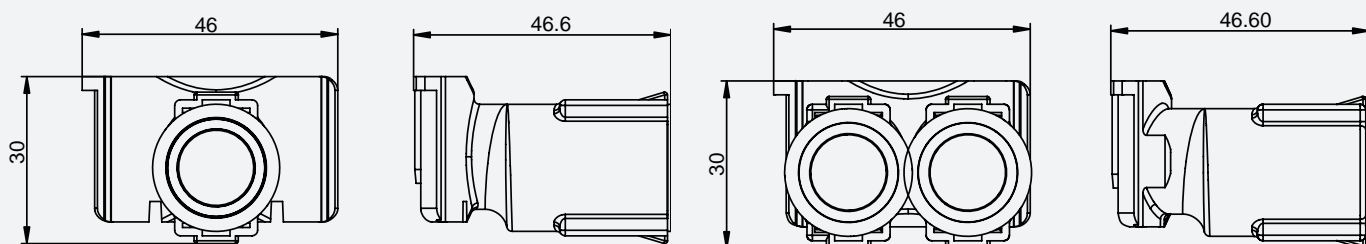
HALOGEN FREE

Colour: blue
 Certificates: CE
 Conforms with: RoHS, LVD, WEEE
 Complies with the standards: IEC 60670-1
 Fire hazard test: 850°C (IEC60695-2-11)
 Working temperature: -25°C to +60°C;
 Installation temperature: -5°C to +25°C

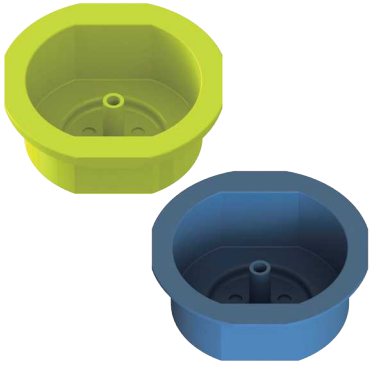
This double inlet attachment features a 2xØ16/20mm conduit connection and can be added to any of the four sides of the box.

REFERENCE	PACKAGING OPTIONS	
ETM683S	1PCS	500PCS

Technical drawings



Accessories



Magnet mounting lid for wall box

ETM790S

IP30

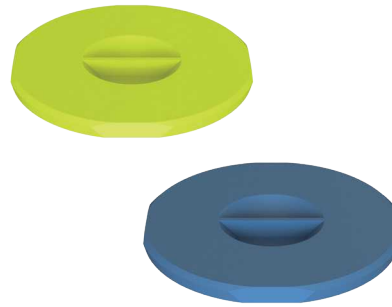
PP

HALOGEN FREE

Colour: yellow or blue
 Certificates: CE, Semko
 Conforms with: RoHS, LVD, WEEE
 Complies with the standards: IEC 60670-1
 Fire hazard test: 850°C (IEC60695-2-11)
 Working temperature: -25°C to +60°C;
 Installation temperature: -5°C to +25°C

This mounting lid is compatible with the industry's widely used magnets, ensuring secure and versatile attachment. It can also be used with adhesive film or hot glue, offering additional flexibility for various installation methods for wall boxes for concrete casting.

REFERENCE	PACKAGING OPTIONS	
ETM790S	1PCS	200PCS



Lid for wall box

ETM794S

IP30

PP

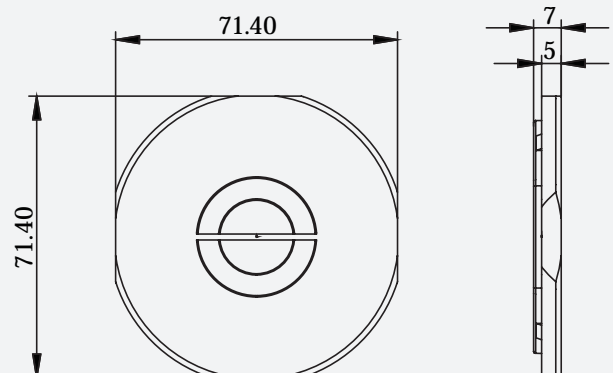
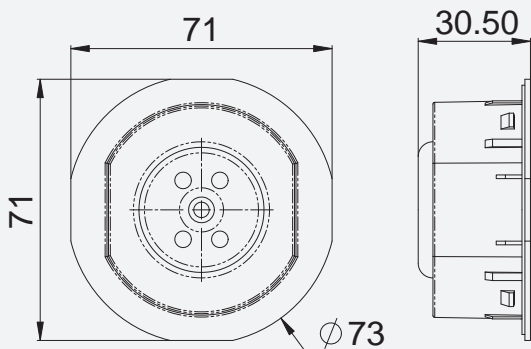
HALOGEN FREE

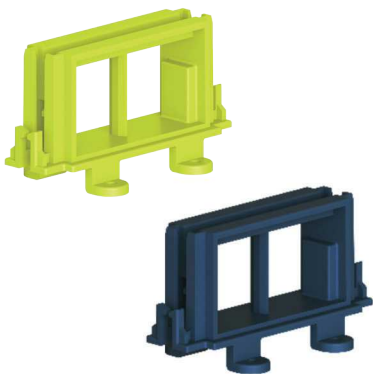
Colour: yellow or blue
 Certificates: CE, Semko
 Conforms with: RoHS, LVD, WEEE
 Complies with the standards: IEC 60670-1
 Fire hazard test: 850°C (IEC60695-2-11)
 Working temperature: -25°C to +60°C;
 Installation temperature: -5°C to +25°C

This durable plastic lid is designed to protect the box until installation and safeguard wiring during the installation process. It ensures that the interior remains clean and free from debris, while also providing a secure cover that prevents damage to the wiring.

REFERENCE	PACKAGING OPTIONS	
ETM794S	1PCS	1000PCS

Technical drawings





Wall box connector

ETM791S

IP30

PP

HALOGEN FREE

Colour: yellow or blue
 Certificates: CE, Semko
 Conforms with: RoHS, LVD, WEEE
 Complies with the standards: IEC 60670-1
 Fire hazard test: 850°C (IEC60695-2-11)
 Working temperature: -25°C to +60°C;
 Installation temperature: -5°C to +25°C

The box connection piece is a versatile accessory designed to seamlessly connect multiple wall boxes. Available in vibrant yellow and blue colours, it provides a secure and reliable link, ensuring stability and coherence in any installation.

REFERENCE	PACKAGING OPTIONS	
ETM791S	1PCS	1200PCS



Ø20mm inlet for wall box

ETM793S

IP30

PP

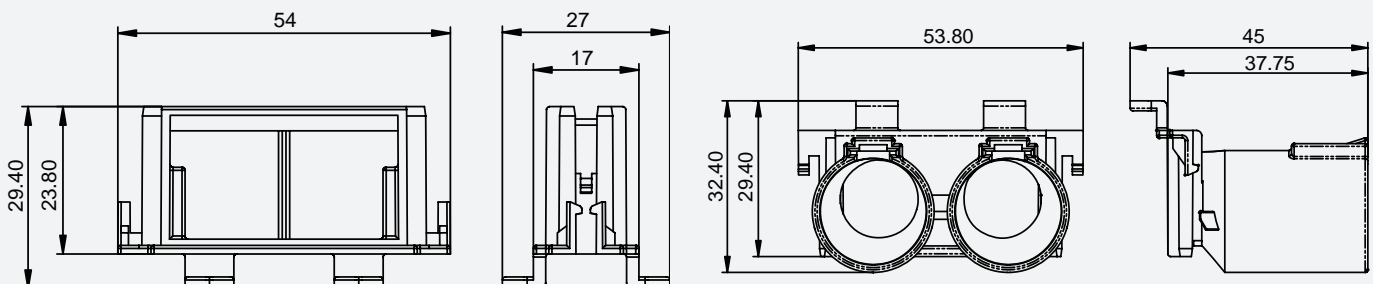
HALOGEN FREE

Colour: yellow
 Certificates: CE, Semko
 Conforms with: RoHS, LVD, WEEE
 Complies with the standards: IEC 60670-1
 Fire hazard test: 850°C (IEC60695-2-11)
 Working temperature: -25°C to +60°C;
 Installation temperature: -5°C to +25°C

The 2xØ20mm box inlet with sealing caps is designed for secure and efficient conduit connections. This inlet ensures a tight fit and reliable sealing, protecting against dust and moisture. The included sealing caps provide an extra layer of protection, maintaining the integrity of any electrical installation.

REFERENCE	PACKAGING OPTIONS	
ETM793S	1PCS	500PCS

Technical drawings



Accessories



Ø25mm inlet for wall box

ETM814S IP30 PP HALOGEN FREE

Colour: yellow
 Certificates: CE, Semko
 Conforms with: RoHS, LVD, WEEE
 Complies with the standards: IEC 60670-1
 Fire hazard test: 850°C (IEC60695-2-11)
 Working temperature: -25°C to +60°C;
 Installation temperature: -5°C to +25°C

Part of the concrete box accessory range, the 2xØ25mm conduit inlet is expertly designed for robust and secure conduit connections. It ensures a precise fit for Ø25mm conduits, providing reliable protection against dust and moisture.

REFERENCE	PACKAGING OPTIONS
ETM814S	1PCS

Ø16/Ø20mm inlet for wall box

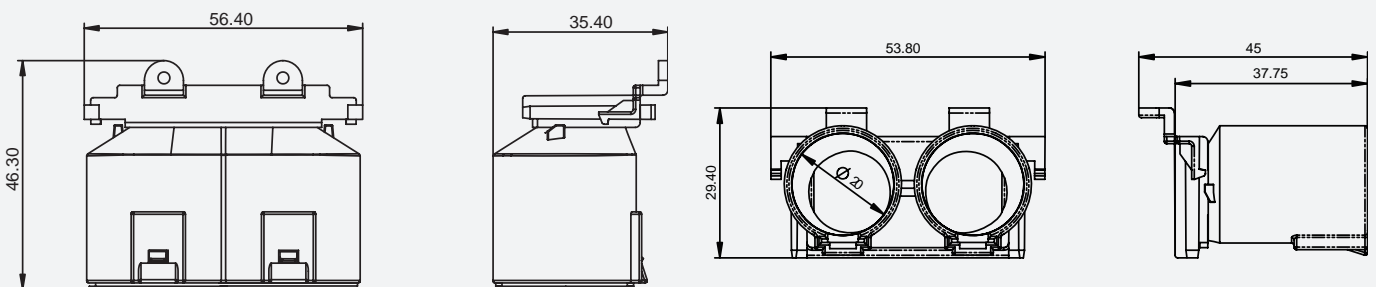
ETM788S IP30 PP HALOGEN FREE

Colour: blue
 Certificates: CE, Semko
 Conforms with: RoHS, LVD, WEEE
 Complies with the standards: IEC 60670-1
 Fire hazard test: 850°C (IEC60695-2-11)
 Working temperature: -25°C to +60°C;
 Installation temperature: -5°C to +25°C

Inlet for corrugated pipes 2xØ16/Ø20mm suitable for concrete boxes.

REFERENCE	PACKAGING OPTIONS
ETM788S	1PCS 400PCS

Technical drawings





Ø20mm inlet for wall box

ETM792S

IP30

PP

HALOGEN FREE

Colour: blue
 Certificates: CE, Semko
 Conforms with: RoHS, LVD, WEEE
 Complies with the standards: IEC 60670-1
 Fire hazard test: 850°C (IEC60695-2-11)
 Working temperature: -25°C to +60°C;
 Installation temperature: -5°C to +25°C

Inlet for corrugated pipes 2xØ20mm suitable for concrete boxes.

REFERENCE	PACKAGING OPTIONS	
ETM792S	1PCS	500PCS



Wall box mounting nails for wooden moulds

ETM789S

ETM798S

IP30

PP

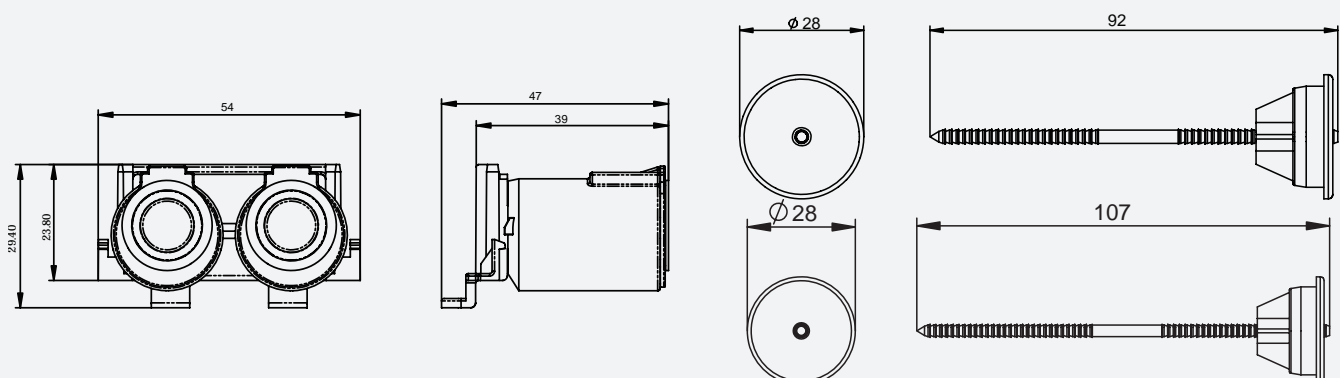
HALOGEN FREE

Colour: blue
 Certificates: CE, Semko
 Conforms with: RoHS, LVD, WEEE
 Complies with the standards: IEC 60670-1
 Fire hazard test: 850°C (IEC60695-2-11)
 Working temperature: -25°C to +60°C;
 Installation temperature: -5°C to +25°C

Nail and a fastening plug for mounting boxes onto wooden moulds. ETM789S is 92mm long and ETM798S is 107mm long.

REFERENCE	PACKAGING OPTIONS	
ETM789S	1PCS	620PCS
ETM798S	1PCS	900PCS

Technical drawings



COST EFFECTIVE ESSENTIALS

Simple series



The Simple Series Xelivers a cost-effective solution for electrical installations, without cutting corners on quality. Designed for versatility and ease of use, these wall and junction boxes are ideal for everything from new construction projects to renovations and upgrades.

With box depths ranging from 45 mm to 55 mm, and an adjustable inner ring included, the Simple series can easily adapt to different wall thicknesses and installation scenarios. This added flexibility is especially useful when dealing with varied on-site conditions or evolving project requirements.

Each box features between 3 and 10 fixed inlets, offering multiple wiring options to suit a wide range of electrical layouts. This thoughtful design allows for clean, organised cable management, saving

both time and effort during installation.

Simple series boxes are also compatible with both single and double plasterboard walls, ensuring a secure and flush fit regardless of wall construction.

Engineered with practicality in mind, they're easy to work with and install using standard tools, reducing labor costs and installation time.

Whether you're fitting a single outlet or wiring an entire room, the Simple series offers the dependable performance and adaptability professionals need - at a price that makes sense. It's the smart, efficient choice for modern electrical work.

PRODUCT RANGE

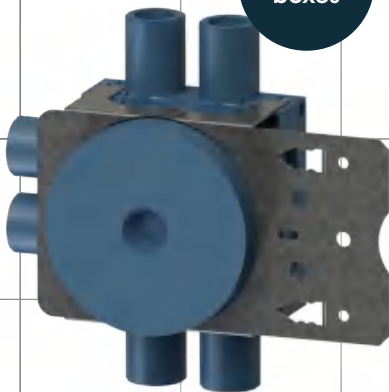


FIXED INLETS FOR 16MM CORRUGATED PIPES

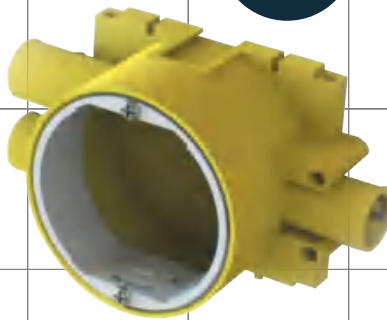
Fixed inlets for wall boxes are designed to fit 16mm diameter corrugated pipes, providing a secure and stable connection. With the addition of an ETM238S sleeve, these inlets can also accommodate 20mm diameter pipes.

Product overview

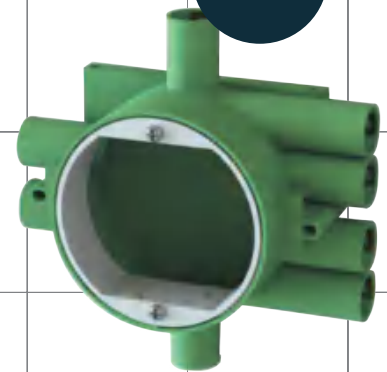
Wall boxes



Wall boxes



Junction boxes



Wall boxes with fixing plate

This Simple Series wall box features six fixed 16 mm inlets and comes with a plastic lid.

Designed for flexibility, it offers varying depths to suit different wall cavities, with an inner ring adding 17 mm and an optional 7 mm extension (ETM013S).

Eight built-in holes allow direct stud mounting, while models with metal fixing plates can be nailed directly to wooden studs using integrated metal pins.

Interlocking wall boxes

These wall boxes are ideal for single or double plasterboard installations, offering three fixed Ø16 mm inlets with locking springs—one open and two that can be easily activated as needed.

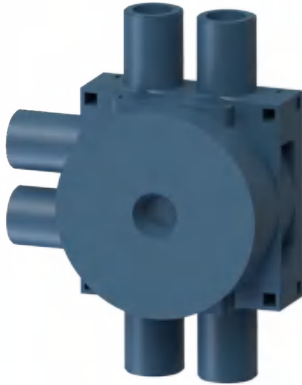
With a depth of 50 mm, a diameter of 71 mm, and 60 mm center-to-center spacing, they provide a secure, precise fit. Their clever design allows boxes to be connected side by side, enabling flexible configurations for various electrical installation needs.

Junction and ceiling boxes

These junction boxes come with either eight fixed Ø16 mm inlets or a combination of eight Ø16 mm and two Ø20 mm inlets, totaling ten. With an 82 mm diameter and 48 mm depth, they offer ample wiring space. The 67 mm center-to-center distance ensures precise alignment.

One inlet is open by default, while the others can be easily opened with a screwdriver. They are designed for both single and double plasterboard installations.

Wall boxes



Wall box with fixed inlets and lid for single plasterboard

ETM001S IP20 HDPE

Colour: blue
 Certificates: CE
 Conforms with: RoHS, LVD, WEEE
 Complies with the standards: IEC 60670-1
 Fire hazard test: 850°C (IEC60695-2-11)
 Working temperature: -25°C to +60°C;
 Installation temperature: -5°C to +25°C

The box features 6xØ16mm fixed inlets with caps. With a depth of 45mm and a diameter of 71mm, it ensures a compact yet spacious fit. The box had a center-to-center distance of 60mm. An included inner ring allows for easy height adjustment, and an additional ring (ETM013S) can be added to increase the height by 7mm. The box also comes with a secure lid.

REFERENCE	PACKAGING OPTIONS	
ETM001S	1PCS	50PCS



Wall box with fixed inlets and lid for single plasterboard

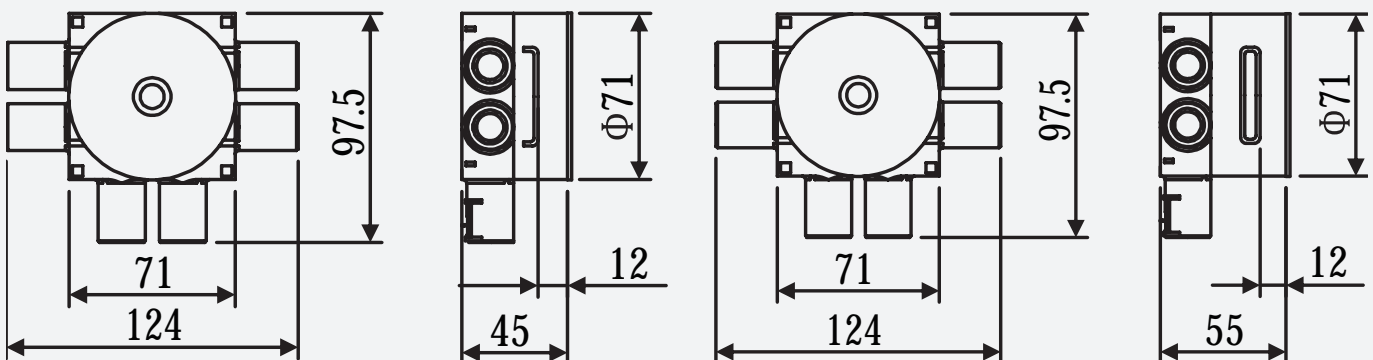
ETM001S-2 IP20 HDPE

Colour: blue
 Certificates: CE
 Conforms with: RoHS, LVD, WEEE
 Complies with the standards: IEC 60670-1
 Fire hazard test: 850°C (IEC60695-2-11)
 Working temperature: -25°C to +60°C;
 Installation temperature: -5°C to +25°C

The box features 6xØ16mm fixed inlets with caps. With a depth of 55mm and a diameter of 71mm, it ensures a compact yet spacious fit. The box had a center-to-center distance of 60mm. An included inner ring allows for easy height adjustment, and an additional ring (ETM013S) can be added to increase the height by 7mm. The box also comes with a secure lid.

REFERENCE	PACKAGING OPTIONS	
ETM001S-2	1PCS	40PCS

Technical drawings



Wall boxes



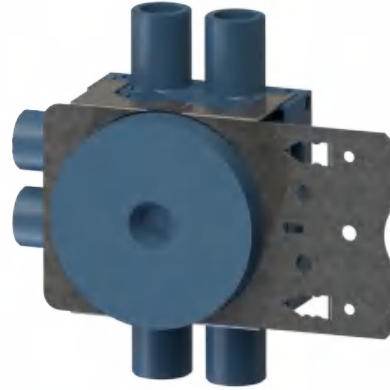
Wall box with fixed inlets and lid for double plasterboard

ETM001S-4 IP20 HDPE

Colour: blue
 Certificates: CE
 Conforms with: RoHS, LVD, WEEE
 Complies with the standards: IEC 60670-1
 Fire hazard test: 850°C (IEC60695-2-11)
 Working temperature: -25°C to +60°C;
 Installation temperature: -5°C to +25°C

This wall box has 6xØ16mm fixed inlets with caps. With a depth of 55mm and a diameter of 71mm, it offers a compact yet spacious fit. The box has a 60mm center-to-center distance and is designed to suit double plasterboard installations. An included inner ring allows for easy height adjustment, and an additional ring (ETM013S) can be added to increase the height by 7mm. The box also comes with a secure lid.

REFERENCE	PACKAGING OPTIONS	
ETM001S-4	1PCS	40PCS



Wall box with fixed inlets, lid and fixing plate for single plasterboard

ETM001S-1 IP20 HDPE

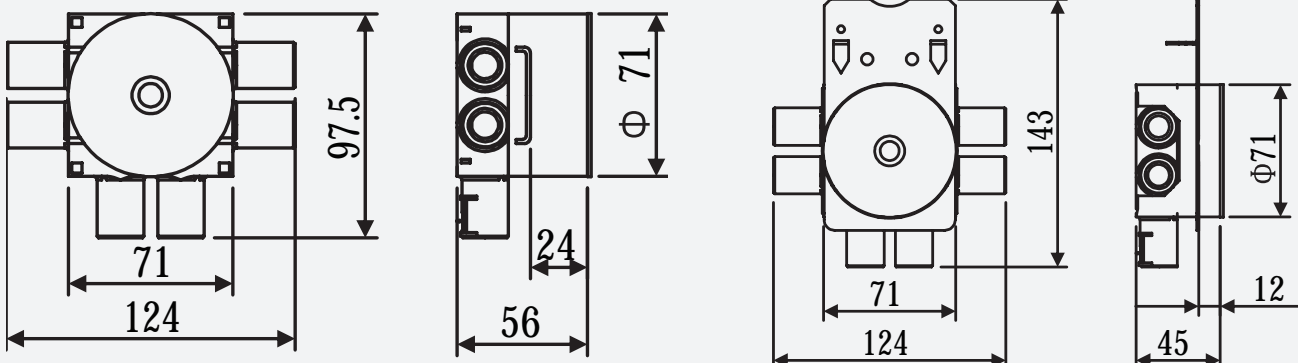
Colour: blue
 Certificates: CE
 Conforms with: RoHS, LVD, WEEE
 Complies with the standards: IEC 60670-1
 Fire hazard test: 850°C (IEC60695-2-11)
 Working temperature: -25°C to +60°C;
 Installation temperature: -5°C to +25°C

This wall box features 6xØ16mm fixed inlets with caps, a 45mm depth, and a 71mm diameter for a compact fit. It has a 60mm center-to-center distance and includes an inner ring for height adjustment, with the option to add an ETM013S ring for an extra 7mm. A steel plate ensures easy fixing to wooden or metal studs.

REFERENCE	PACKAGING OPTIONS	
ETM001S-1	1PCS	660PCS



Technical drawings





Wall box with fixed inlets, lid and fixing plate for single plasterboard

ETM001S-3 **IP20** **HDPE**

Colour: blue
 Certificates: CE
 Conforms with: RoHS, LVD, WEEE
 Complies with the standards: IEC 60670-1
 Fire hazard test: 850°C (IEC60695-2-11)
 Working temperature: -25°C to +60°C;
 Installation temperature: -5°C to +25°C

This wall box features 6xØ16mm fixed inlets with caps, a 55mm depth, and a 71mm diameter for a compact fit. It has a 60mm center-to-center distance and includes an inner ring for height adjustment, with the option to add an ETM013S ring for an extra 7mm. A steel plate ensures easy fixing to wooden or metal studs.

REFERENCE	PACKAGING OPTIONS	
ETM001S-3	1PCS	650PCS



Wall box with fixed inlets, lid and fixing plate for double plasterboard

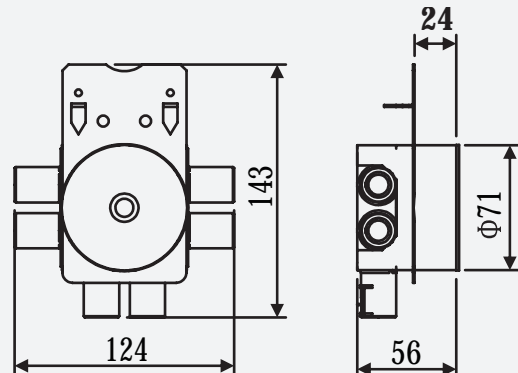
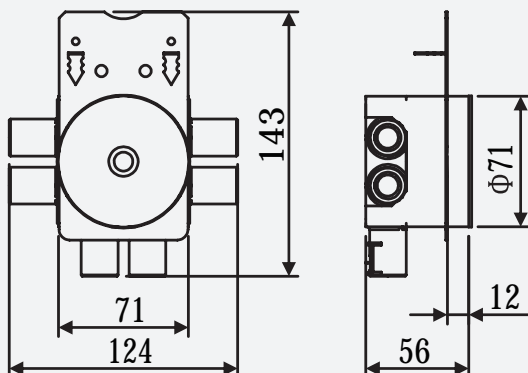
ETM001S-5 **IP20** **HDPE**

Colour: blue
 Certificates: CE
 Conforms with: RoHS, LVD, WEEE
 Complies with the standards: IEC 60670-1
 Fire hazard test: 850°C (IEC60695-2-11)
 Working temperature: -25°C to +60°C;
 Installation temperature: -5°C to +25°C

This wall box features 6x16mm fixed inlets with caps, a 55mm depth, and a 71mm diameter for a compact fit. It has a 60mm center-to-center distance and includes an inner ring for height adjustment, with the option to add an ETM013S ring for an extra 7mm. A steel plate ensures easy fixing to wooden or metal studs.

REFERENCE	PACKAGING OPTIONS	
ETM001S-5	1PCS	650PCS

Technical drawings





Wall box with fixed inlets for double plasterboard

ETM522S IP20 HDPE

Colour: yellow or green
 Certificates: CE
 Conforms with: RoHS, LVD, WEEE
 Complies with the standards: IEC 60670-1
 Fire hazard test: 850°C (IEC60695-2-11)
 Working temperature: -25°C to +60°C;
 Installation temperature: -5°C to +25°C

This wall box, designed for double plasterboards, features 3xØ16mm inlets with locking springs. With a 50mm depth, 71mm diameter, and 60mm center-to-center distance, it offers a precise and secure fit. One inlet is open, while the other two can be easily opened as needed. Additionally, these boxes can be connected side by side for flexible installation options.

REFERENCE	PACKAGING OPTIONS	
ETM522S	1PCS	1020PCS



Wall box with fixed inlets for single plasterboard

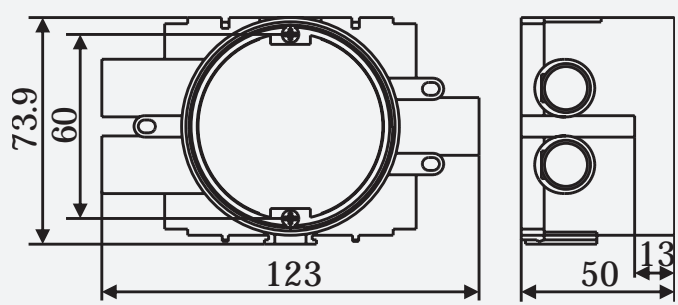
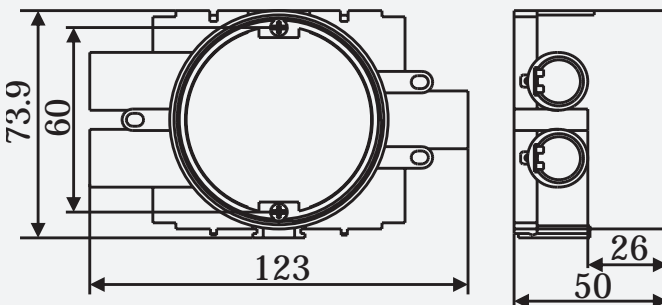
ETM523S IP20 HDPE

Colour: yellow or green
 Certificates: CE
 Conforms with: RoHS, LVD, WEEE
 Complies with the standards: IEC 60670-1
 Fire hazard test: 850°C (IEC60695-2-11)
 Working temperature: -25°C to +60°C;
 Installation temperature: -5°C to +25°C

This wall box, designed for single plasterboards, features 3xØ16mm inlets with locking springs. With a 50mm depth, 71mm diameter, and 60mm center-to-center distance, it offers a precise and secure fit. One inlet is open, while the other two can be easily opened as needed. Additionally, these boxes can be connected side by side for flexible installation options.

REFERENCE	PACKAGING OPTIONS	
ETM523S	1PCS	1020PCS

Technical drawings



Junction boxes



Junction box with fixed inlets for double plasterboard

ETM524S IP20 HDPE

Colour: yellow or green
 Certificates: CE
 Conforms with: RoHS, LVD, WEEE
 Complies with the standards: IEC 60670-1
 Fire hazard test: 850°C (IEC60695-2-11)
 Working temperature: -25°C to +60°C;
 Installation temperature: -5°C to +25°C

This box is equipped with 8xØ16mm inlets, featuring locking springs. With an 82mm diameter and 48mm depth, it provides ample space for wiring. The cc distance is 67mm cc distance ensures proper alignment. One inlet is open, while the remaining inlets can be easily opened using a screwdriver. Designed for double plasterboard installations.

REFERENCE	PACKAGING OPTIONS	
ETM524S	1PCS	500PCS

Junction box with fixed inlets for single plasterboard

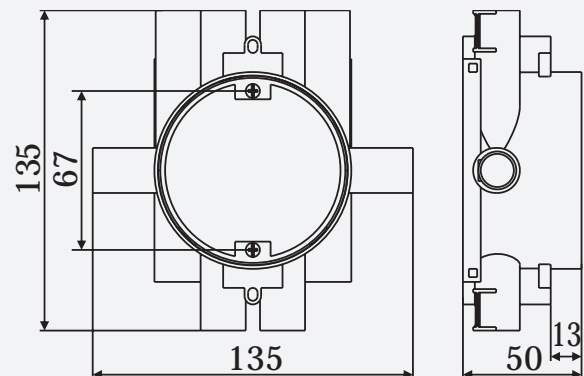
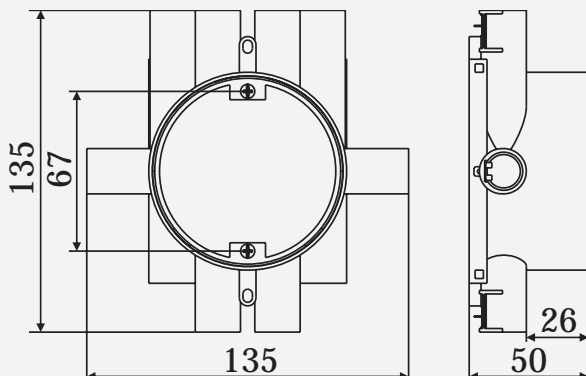
ETM525S IP20 HDPE

Colour: yellow or green
 Certificates: CE
 Conforms with: RoHS, LVD, WEEE
 Complies with the standards: IEC 60670-1
 Fire hazard test: 850°C (IEC60695-2-11)
 Working temperature: -25°C to +60°C;
 Installation temperature: -5°C to +25°C

This box is equipped with 8xØ16mm inlets, featuring locking springs. With an 82mm diameter and 48mm depth, it provides ample space for wiring. The cc distance is 67mm cc distance ensures proper alignment. One inlet is open, while the remaining inlets can be easily opened using a screwdriver. Designed for single plasterboard installations.

REFERENCE	PACKAGING OPTIONS	
ETM525S	1PCS	500PCS

Technical drawings





Junction box with fixed inlets for double plasterboard

ETM524SN **IP20** **HDPE**

Colour: yellow or green
 Certificates: CE
 Conforms with: RoHS, LVD, WEEE
 Complies with the standards: IEC 60670-1
 Fire hazard test: 850°C (IEC60695-2-11)
 Working temperature: -25°C to +60°C;
 Installation temperature: -5°C to +25°C

This junction box features 8xØ16mm inlets and 2xØ20mm inlets, all equipped with locking springs for secure connections. With an 82mm diameter and 48mm depth, it provides plenty of space for wiring. The 67mm cc distance ensures accurate alignment. One inlet is open, while the others can be easily accessed with a screwdriver. It is designed for double plasterboard installations.

REFERENCE	PACKAGING OPTIONS
ETM524SN	1PCS



Junction box with fixed inlets for single plasterboard

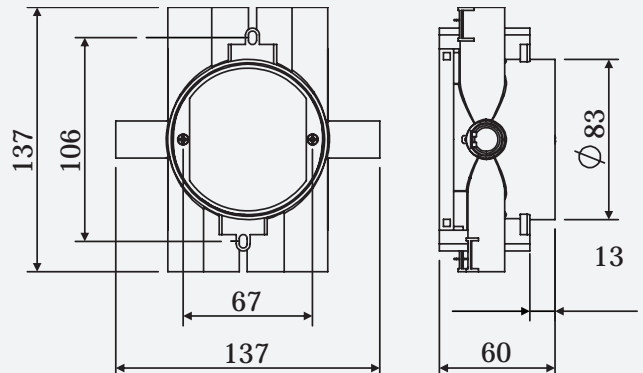
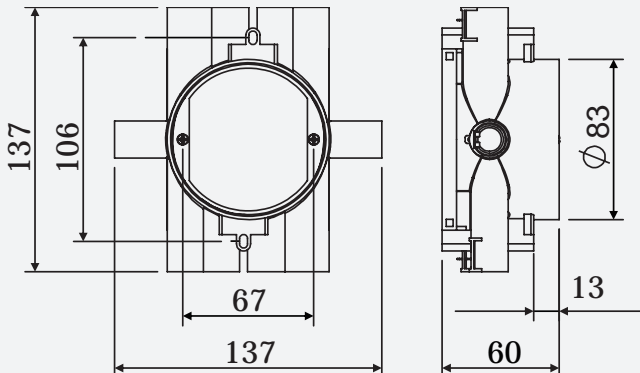
ETM525SN **IP20** **HDPE**

Colour: yellow or green
 Certificates: CE
 Conforms with: RoHS, LVD, WEEE
 Complies with the standards: IEC 60670-1
 Fire hazard test: 850°C (IEC60695-2-11)
 Working temperature: -25°C to +60°C;
 Installation temperature: -5°C to +25°C

This junction box features 8xØ16mm inlets and 2xØ20mm inlets, all equipped with locking springs for secure connections. With an 82mm diameter and 48mm depth, it provides plenty of space for wiring. The 67mm cc distance ensures accurate alignment. One inlet is open, while the others can be easily accessed with a screwdriver. It is designed for single plasterboard installations.

REFERENCE	PACKAGING OPTIONS
ETM525SN	1PCS

Technical drawings



Accessories



Straight extension pipe for converting Ø16mm conduit entry to Ø20mm

ETM238S

IP30

PP

HALOGEN FREE

Colour: white

Certificates: CE, Semko

Conforms with: RoHS

Complies with the standards: IEC 60670-1

Fire hazard test: 850°C (IEC60695-2-11)

Working temperature: -25°C to +60°C;

Installation temperature: -5°C to +25°C

The straight extension pipe designed to convert a 16mm conduit entry to a 20mm conduit entry. Featuring a locker on each end, it ensures a secure and stable connection, maintaining the reliability of the electrical installation.

REFERENCE	PACKAGING OPTIONS	
ETM238S	1PCS	500PCS



Extension ring for wall boxes

ETM013S

IP30

PP

HALOGEN FREE

Colour: white

Certificates: CE, Semko

Conforms with: RoHS,

Complies with the standards: IEC 60670-1

Fire hazard test: 850°C (IEC60695-2-11)

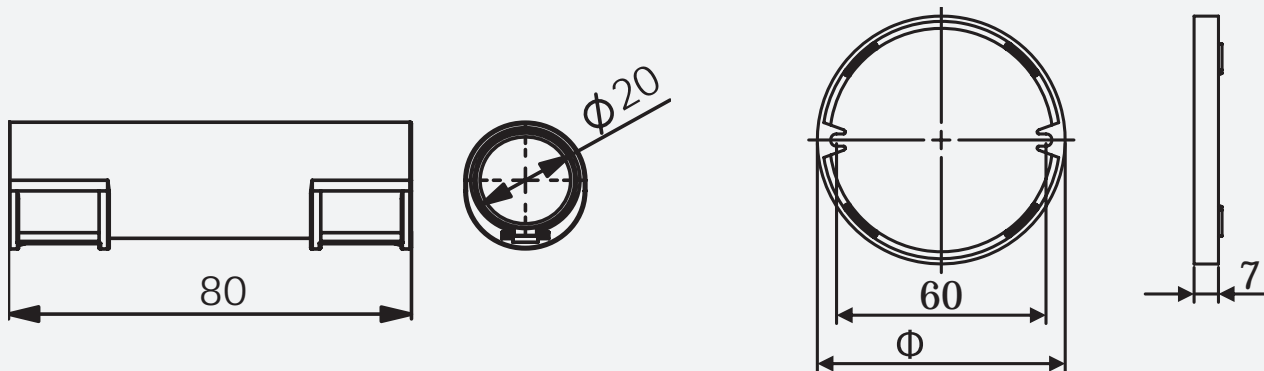
Working temperature: -25°C to +60°C;

Installation temperature: -5°C to +25°C

This white extension ring, designed for single wall boxes, adds 6mm in height to accommodate various installation needs. It attaches securely with two screws, featuring a fixing distance of cc 60mm.

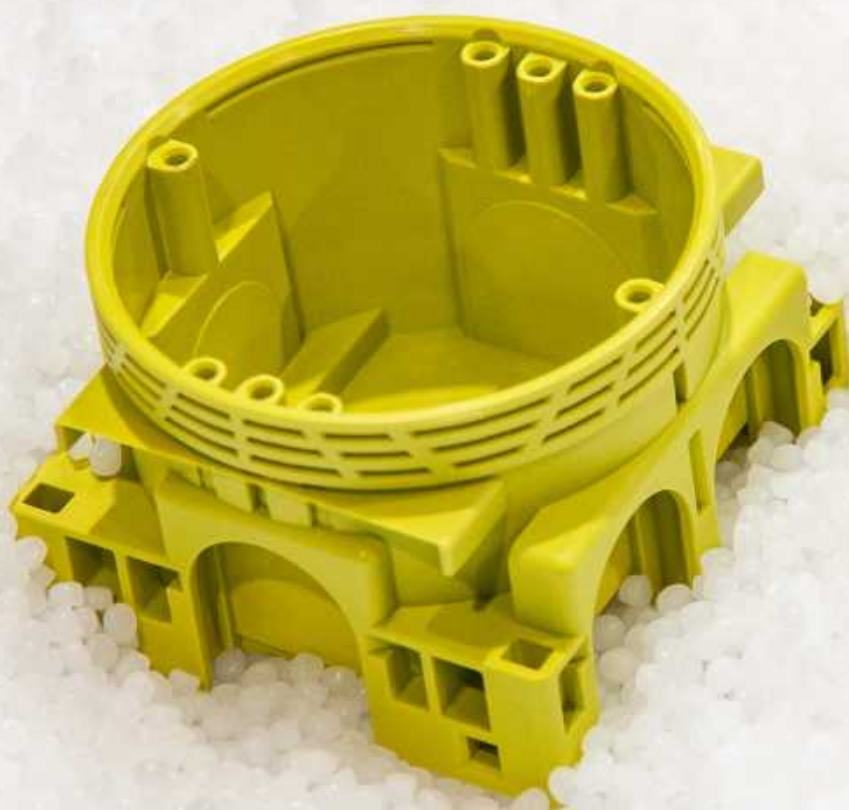
REFERENCE	PACKAGING OPTIONS	
ETM013S	1PCS	100PCS

Technical drawings



FOR CONCRETE CASTING AND HOLLOW WALLS

Lime series



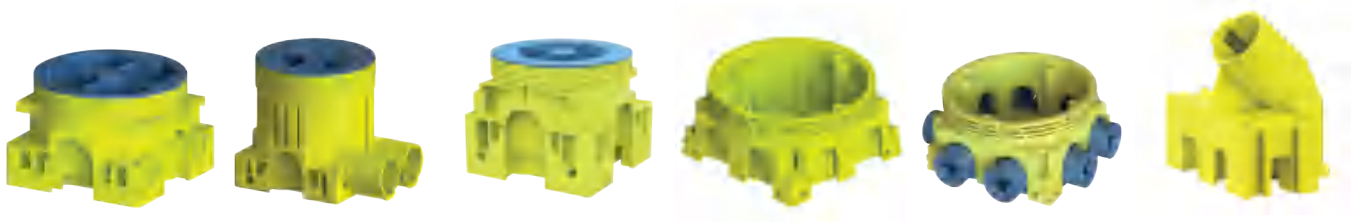
The Lime series is a comprehensive range of halogen-free wall and junction boxes designed for maximum versatility across different installation environments, including hollow walls, ceilings, and concrete casting. Made from durable polypropylene (PP), these boxes combine high performance with easy, installer-friendly handling - perfect for both new builds and renovations.

For hollow wall and ceiling applications, the Lime series offers box depths ranging from 48 to 75mm. Designed to be installed before plasterboard mounting, these boxes ensure a secure and precise fit. Fixed and knockout inlets provide flexible cable entry, while a broad range of accessories, such as conduit inlets and box supports, enhance adaptability to any wiring scenario.

For concrete casting, the series includes deep box variants suitable for both on-site poured and prefabricated concrete elements. Flush-mounted options in multiple heights allow seamless integration into concrete walls and ceilings, meeting diverse installation requirements.

All Lime series products are made from halogen-free PP and comply with the IEC 60695-2-11 glow wire test at 850 °C, ensuring high fire safety standards. Developed in collaboration with professional installers, these boxes are built for practical, time-saving installation and reliable long-term performance. Whether for residential, commercial, or industrial use, the Lime Series Xelivers durable, smart solutions across every project stage.

PRODUCT RANGE

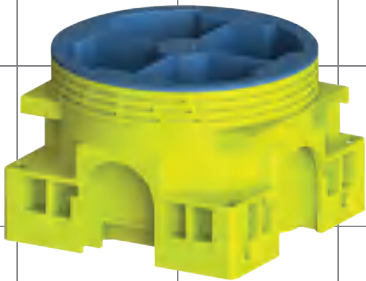


WIDE RANGE OF ACCESSORIES

Includes conduit inlets, box supports, and other accessories for flexible, customised installations in concrete and modular settings.

Product overview

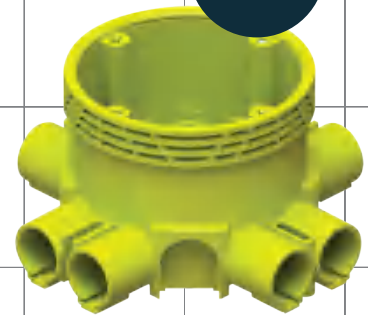
Hollow boxes



High boxes



Junction boxes



Hollow wall boxes

Lime series wall boxes for hollow walls are designed for quick, secure, and flexible installation. Connection pieces allow easy combination of multiple boxes, streamlining setups for switches, sockets, and devices. Box supports (ETM773S, ETM774S, ETM829S) hold units firmly between plasterboards—no extra fixing needed. With eight fixing points, boxes can be side-nailed to wooden studs or screwed into metal studs, ensuring a stable, hassle-free installation every time.

High wall boxes

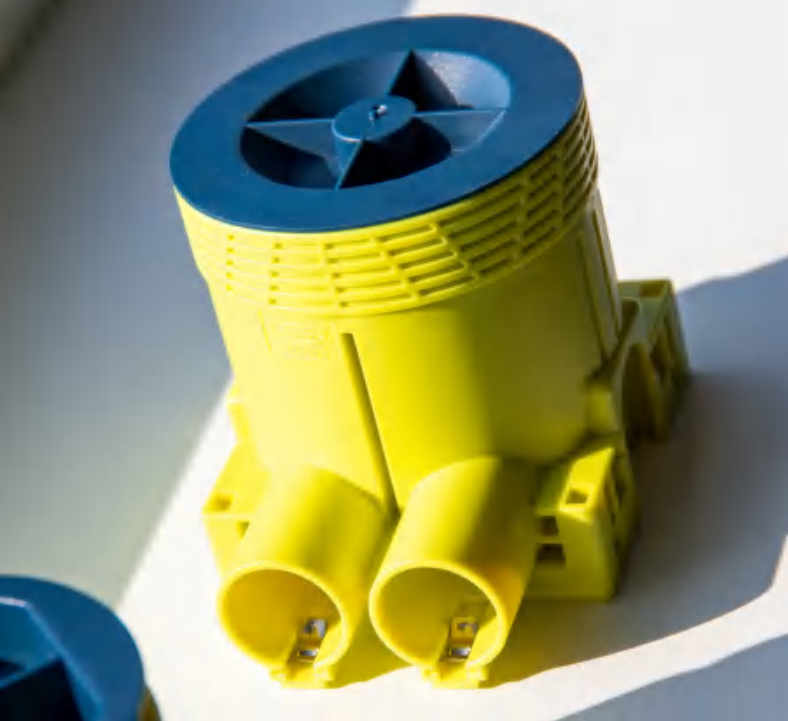
The Lime series includes a range of high wall and junction boxes from 60 mm to 75 mm, offering generous space for wiring and connections. Select wall boxes feature inner rings for additional height adjustment, enhancing installation flexibility.

The ETM754S box, with a 45 mm depth from inlet to edge, is perfect for routing piping above reinforcements, making installations quicker and more efficient in complex construction environments.

Junction boxes

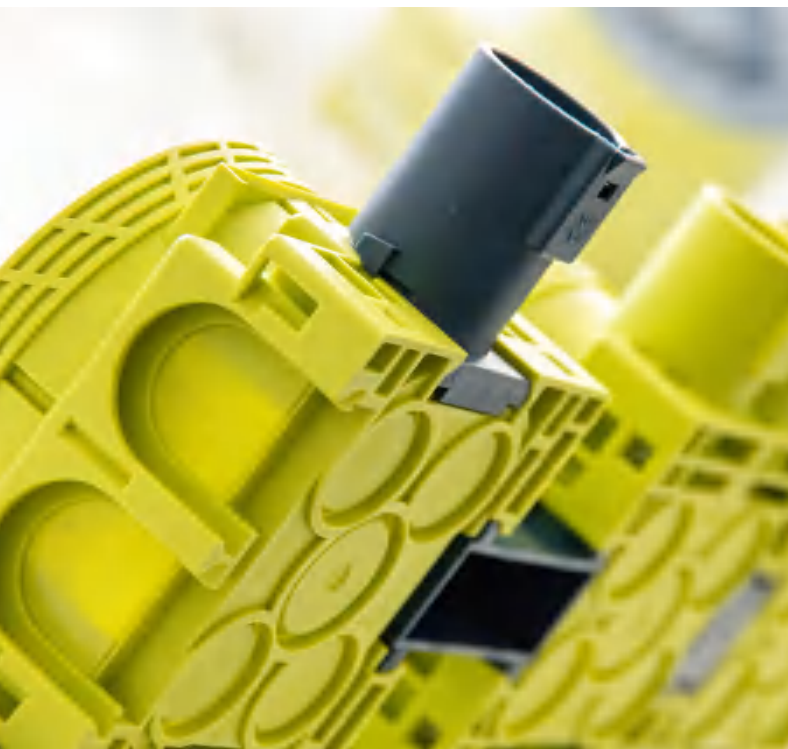
Junction boxes are designed for secure and flexible ceiling installations, easily fixed using nails or dedicated box supports. With a standard 95 mm diameter and available in three heights - 48 mm, 53 mm, and 73 mm - they suit a wide range of installation needs. Four built-in fixing points allow mounting with M4 or 3.5 mm screws.

A variety of accessories ensures smooth connection of piping and insulated cables for efficient, organised installations.



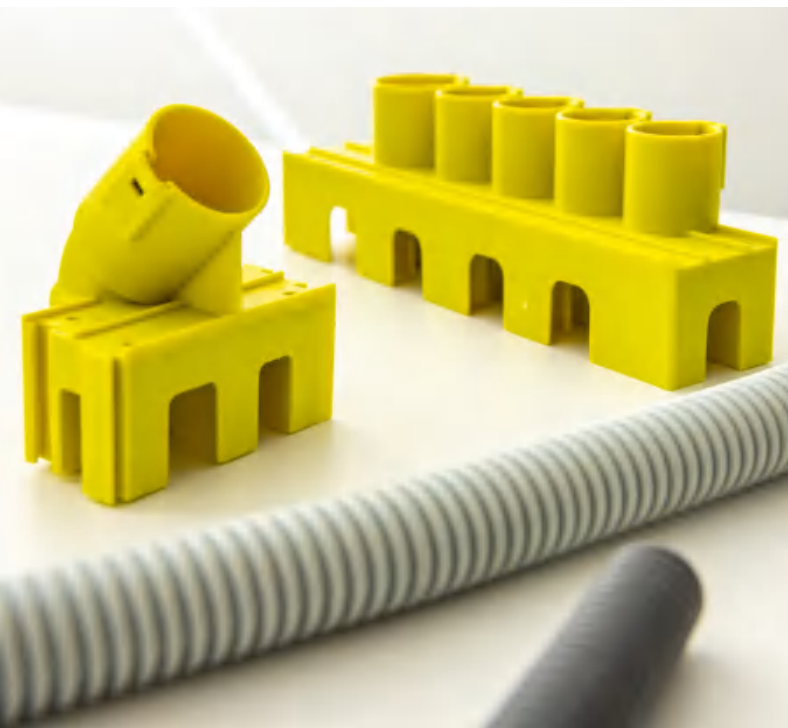
Moisture resistant

Lime series wall boxes for concrete casting are IP30 rated, offering reliable protection against solid objects and limited moisture exposure. This rating ensures safe, moisture-resistant installations in demanding construction environments. Rigorously tested for performance, these boxes provide peace of mind and durability, making them a dependable choice for modern building projects where quality and compliance matter.



Multiple attachments

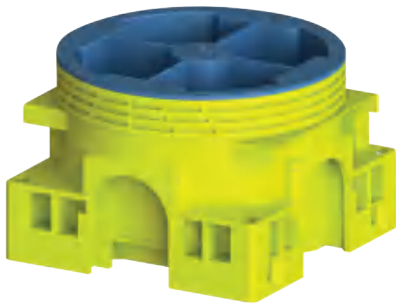
Our accessory range includes conduit inlets, box supports, and connection pieces for flexible, tailored installations in concrete and modular environments. These components simplify combining boxes for switches, sockets, and devices, ensuring clean, efficient layouts. Inlets come in fixed and attachment styles, suited for 20mm and 25mm corrugated pipes, standard sizes for concrete casting.



Bushing insulators

Bushing insulators are used in concrete casting to guide conduits from ceilings to partition walls. Nailed to the mould, they stay fixed during casting, with nails removed afterward. A built-in cap prevents concrete ingress, keeping conduits clear. Available in Ø16mm, Ø20mm, and Ø25mm, including a 5-way version for distribution boxes, they offer efficient and versatile conduit management.

Wall boxes for concrete casting and hollow walls



Wall box without inlet attachments

ETM750S

IP30

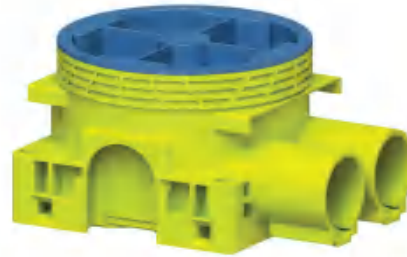
PP

HALOGEN FREE

Colour: yellow
 Certificates: CE, Semko
 Conforms with: LVD, RoHS, WEEE
 Complies with the standards: IEC 60670-1
 Fire hazard test: 850°C (IEC60695-2-11)
 Working temperature: -25°C to +60°C;
 Installation temperature: -5°C to +25°C

The box features 8 fixing points for wooden and metal studs, and has a 60mm cc distance. It comes with a lid and is suitable for concrete casting, withstanding temperatures up to +90°C. Use the ETM801S installation plug for concrete casting moulds. Boxes can be joined together with the ETM772S connection piece. The box includes 5 knock-out inlets on the sides and 4 additional Ø16mm knock-out inlets on the bottom.

REFERENCE	PACKAGING OPTIONS	
ETM750S	1PCS	175PCS



Wall box with two Ø20mm fixed inlets

ETM751S

IP30

PP

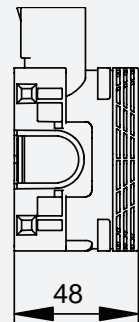
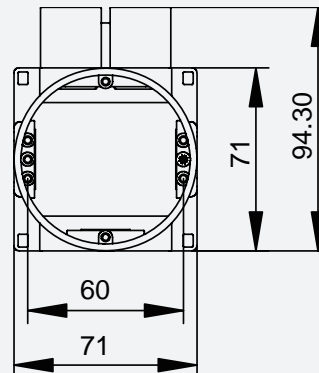
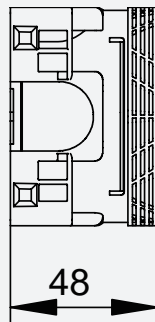
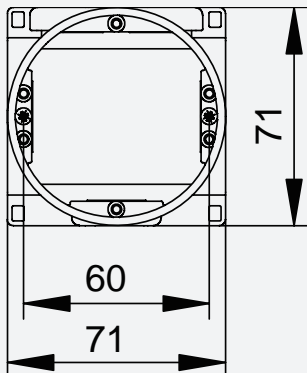
HALOGEN FREE

Colour: yellow
 Certificates: CE, Semko
 Conforms with: LVD, RoHS, WEEE
 Complies with the standards: IEC 60670-1
 Fire hazard test: 850°C (IEC60695-2-11)
 Working temperature: -25°C to +60°C;
 Installation temperature: -5°C to +25°C

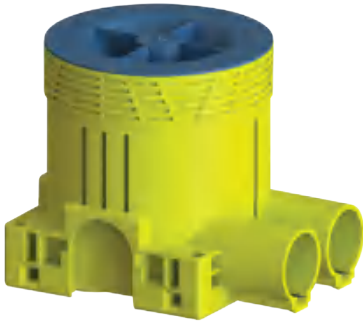
The box features 8 fixing points for wooden and metal studs, and has a 60mm cc distance. It comes with a lid and is suitable for concrete casting, withstanding temperatures up to +90°C. Use the ETM801S installation plug for concrete casting moulds. Boxes can be joined together with the ETM772S connection piece. The box includes 3 knock-out inlets on the sides, 2xØ20mm inlets and 4xØ16mm knock-out inlets on the bottom.

REFERENCE	PACKAGING OPTIONS	
ETM751S	1PCS	125PCS

Technical drawings



Wall boxes for concrete casting and hollow walls



Tall wall box with two Ø20mm fixed inlets

ETM754S IP30 PP HALOGEN FREE

Colour: yellow
 Certificates: CE, Semko
 Conforms with: LVD, RoHS, WEEE
 Complies with the standards: IEC 60670-1
 Fire hazard test: 850°C (IEC60695-2-11)
 Working temperature: -25°C to +60°C;
 Installation temperature: -5°C to +25°C

The box features 8 fixing points for wooden and metal studs, and boasts 75mm depth. It comes with a lid and is suitable for concrete casting, withstanding temperatures up to +90°C. Use the ETM801S installation plug for concrete casting moulds. Boxes can be joined together with the ETM772S connection piece. The box includes 3 knock-out inlets on the sides, 2xØ20mm inlets and 4xØ16mm knock-out inlets on the bottom.

REFERENCE	PACKAGING OPTIONS	
ETM754S	1PCS	80PCS



Tall wall box without inlet attachments

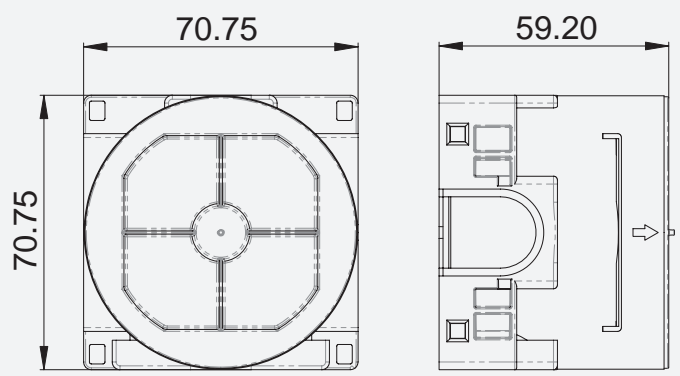
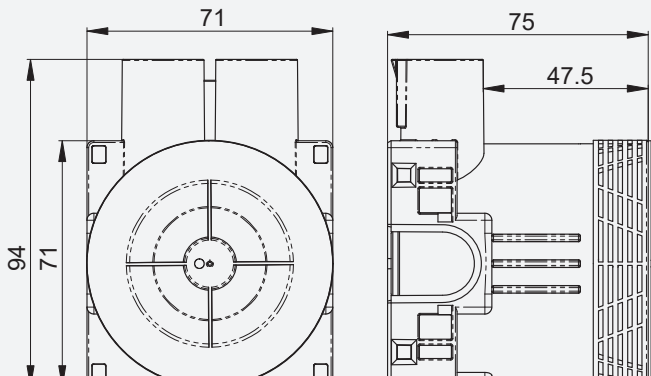
ETM755S IP30 PP HALOGEN FREE

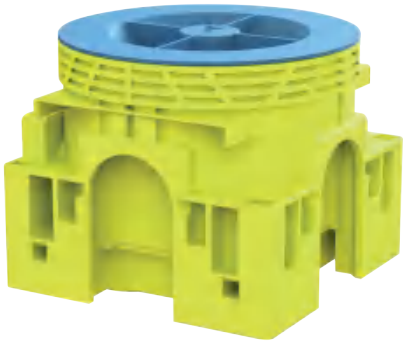
Colour: yellow
 Certificates: CE, Semko
 Conforms with: LVD, RoHS, WEEE
 Complies with the standards: IEC 60670-1
 Fire hazard test: 850°C (IEC60695-2-11)
 Working temperature: -25°C to +60°C;
 Installation temperature: -5°C to +25°C

The box features boasts 59.2mm depth and has an adjustable ring. It comes with a lid and is suitable for concrete casting, withstanding temperatures up to +90°C. Use the ETM801S installation plug for concrete casting moulds. Boxes can be joined together with the ETM772S connection piece. The box includes 5 knock-out inlets on the sides and 4xØ16mm knock-out inlets on the bottom.

REFERENCE	PACKAGING OPTIONS	
ETM755S	1PCS	150PCS

Technical drawings





Wall box without inlet attachments

ETM756S IP30 PP HALOGEN FREE

Colour: yellow
 Certificates: CE, Semko
 Conforms with: LVD, RoHS, WEEE
 Complies with the standards: IEC 60670-1
 Fire hazard test: 850°C (IEC60695-2-11)
 Working temperature: -25°C to +60°C;
 Installation temperature: -5°C to +25°C

The box features 8 fixing points for wooden and metal studs, and has a 60mm cc distance. It comes with a lid and is suitable for concrete casting, withstanding temperatures up to +90°C. Use the ETM801S installation plug for concrete casting moulds. Boxes can be joined together with the ETM772S connection piece. The box includes 5 knock-out inlets on the sides and 4 additional Ø16mm knock-out inlets on the bottom.

REFERENCE	PACKAGING OPTIONS	
ETM756S	1PCS	150PCS



Adjustable height wall box with two Ø20mm fixed inlets

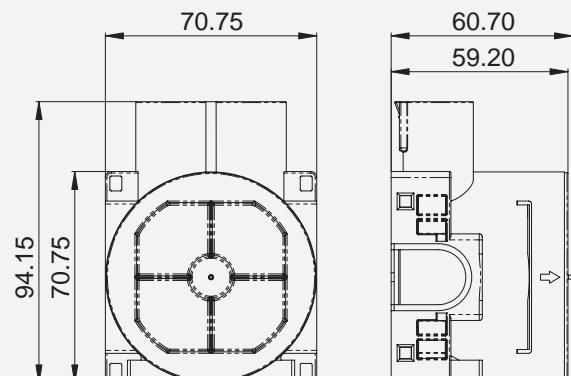
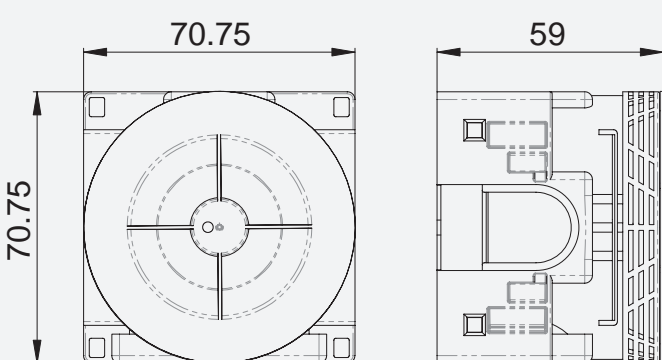
ETM757S IP30 PP HALOGEN FREE

Colour: yellow
 Certificates: CE, Semko
 Conforms with: LVD, RoHS, WEEE
 Complies with the standards: IEC 60670-1
 Fire hazard test: 850°C (IEC60695-2-11)
 Working temperature: -25°C to +60°C;
 Installation temperature: -5°C to +25°C

The box features 8 fixing points for wooden and metal studs, and has an inner ring for height adjustment. It comes with a lid and is suitable for concrete casting, withstanding temperatures up to +90°C. Use the ETM801S installation plug for concrete casting moulds. Boxes can be joined together with the ETM772S connection piece. It has 3 knock-out inlets on the sides, 2xØ20mm inlets and 4xØ16mm knock-out inlets on the bottom.

REFERENCE	PACKAGING OPTIONS	
ETM757S	1PCS	120PCS

Technical drawings



Junction boxes



Junction box without inlet attachments

ETM760S IP30 PP HALOGEN FREE

Colour: yellow
 Certificates: CE, Semko
 Conforms with: LVD, RoHS, WEEE
 Complies with the standards: IEC 60670-1
 Fire hazard test: 850°C (IEC60695-2-11)
 Working temperature: -25°C to +60°C;
 Installation temperature: -5°C to +25°C

This 95mm diameter junction box is suitable for use with metal and wooden studs as well as in concrete casting, withstanding temperatures up to +90°C. It features eight Ø20mm knockout inlets on the sides, along with four Ø16mm and one Ø20mm knockout inlets on the bottom, providing ample options for wiring. For concrete installations, secure the box to the mould using the ETM801S installation plug.

REFERENCE	PACKAGING OPTIONS	
ETM760S	1PCS	100PCS



Junction box with fixed Ø20mm inlets

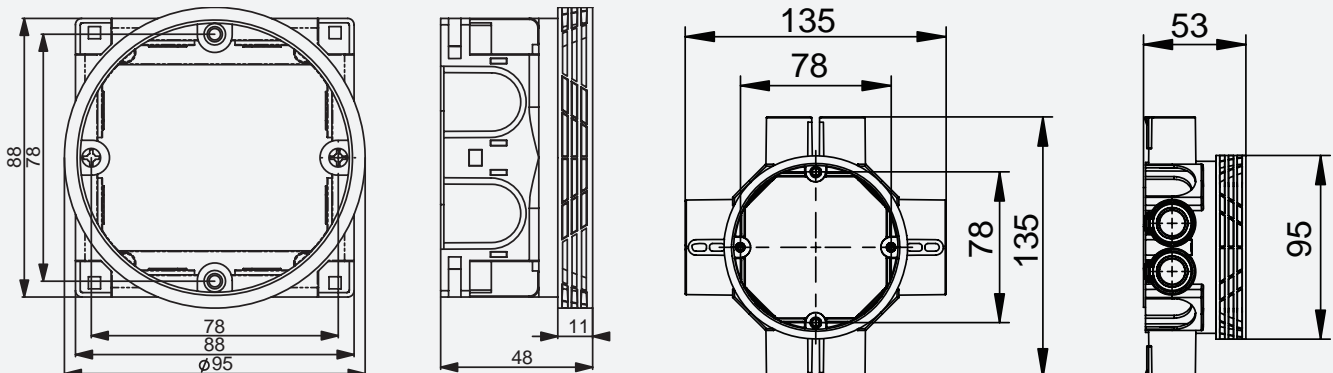
ETM761S IP30 PP HALOGEN FREE

Colour: yellow
 Certificates: CE, Semko
 Conforms with: LVD, RoHS, WEEE
 Complies with the standards: IEC 60670-1
 Fire hazard test: 850°C (IEC60695-2-11)
 Working temperature: -25°C to +60°C;
 Installation temperature: -5°C to +25°C

This 95mm diameter box is ideal for installations with metal or wooden studs, as well as concrete casting, enduring temperatures up to +90°C. It features 8xØ20mm fixed inlets, along with 4xØ16mm and 1xØ20mm knockout inlets on the bottom, providing multiple wiring configurations. For concrete applications, the box can be securely fastened to the mould using the ETM801S installation plug.

REFERENCE	PACKAGING OPTIONS	
ETM761S	1PCS	60PCS

Technical drawings





Wall box without inlet attachments

ETM762S

IP30

PP

HALOGEN FREE

Colour: yellow
 Certificates: CE, Semko
 Conforms with: LVD, RoHS, WEEE
 Complies with the standards: IEC 60670-1
 Fire hazard test: 850°C (IEC60695-2-11)
 Working temperature: -25°C to +60°C;
 Installation temperature: -5°C to +25°C

This Ø95mm box offers an extra 20mm depth compared to the ETM761S, providing additional space for complex wiring setups. It can be used with metal and wooden studs, as well as concrete casting, and withstands temperatures up to +90°C. The box includes 8xØ20mm fixed inlets, 4xØ16mm and 1xØ20mm knockout inlets on the bottom. For concrete installations, secure the box to the mould using ETM801S.

REFERENCE	PACKAGING OPTIONS	
ETM762S	1PCS	45PCS



Adjustable height wall box with two Ø20mm fixed inlets

ETM764S

IP30

PP

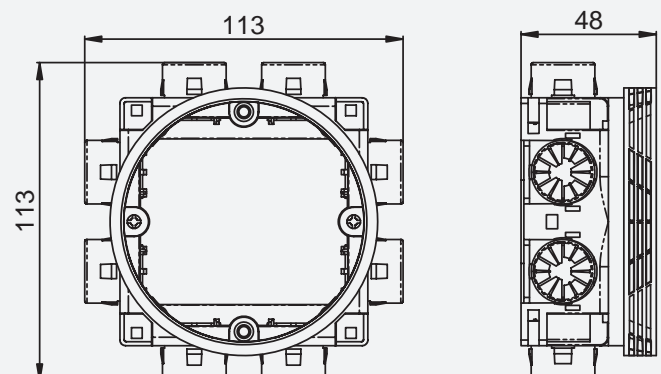
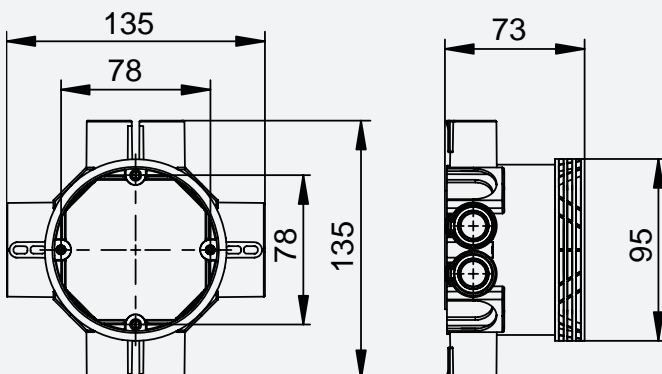
HALOGEN FREE

Colour: yellow
 Certificates: CE, Semko
 Conforms with: LVD, RoHS, WEEE
 Complies with the standards: IEC 60670-1
 Fire hazard test: 850°C (IEC60695-2-11)
 Working temperature: -25°C to +60°C;
 Installation temperature: -5°C to +25°C

This Ø 95mm junction box includes 8 ETM771S strain relief inlets, accommodating Ø6-11mm insulated cables. It can be used with metal and wooden studs, as well as in concrete casting. The box also has 4xØ16mm and 1xØ20mm knockout inlets on the bottom. For concrete installations, the ETM801S installation plug is recommended to securely attach the box to the mould.

REFERENCE	PACKAGING OPTIONS	
ETM764S	1PCS	60PCS

Technical drawings



Bushing insulators



Bushing insulator with Ø16mm inlet

ETM777S IP20 PP HALOGEN FREE

Colour: yellow
 Certificates: CE, Semko
 Conforms with: LVD, RoHS, WEEE
 Complies with the standards: IEC 60670-1
 Fire hazard test: 850°C (IEC60695-2-11)
 Working temperature: -25°C to +60°C;
 Installation temperature: -5°C to +25°C

The Ø16mm bushing insulator is crafted for feed-through applications in electrical conduits within on-site cast concrete structures. It connects conduits in ceiling structures to those in non-bearing interior walls, directing wiring straight to a switch, plug socket, or junction box on the wall. This bushing includes a protective cast cover to ensure secure and safe installations. Possible to connect bushing insulators together.

REFERENCE	PACKAGING OPTIONS	
ETM777S	1PCS	300PCS



Bushing insulator with Ø20mm inlet

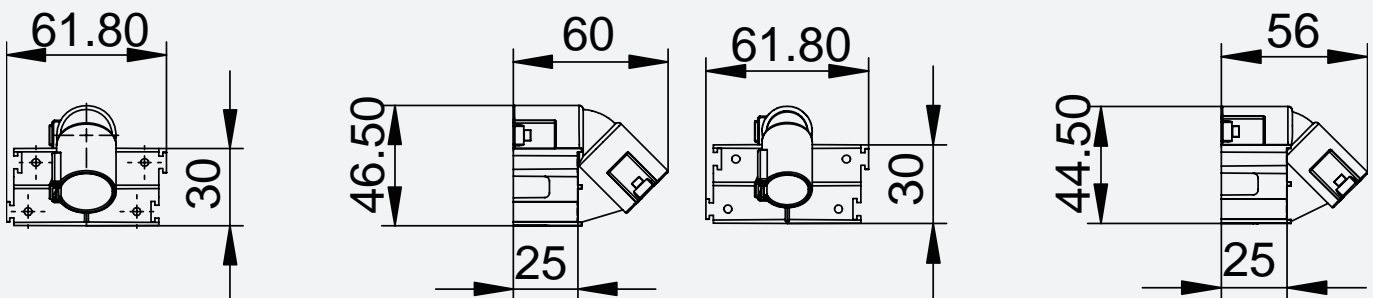
ETM775S IP20 PP HALOGEN FREE

Colour: yellow
 Certificates: CE, Semko
 Conforms with: LVD, RoHS, WEEE
 Complies with the standards: IEC 60670-1
 Fire hazard test: 850°C (IEC60695-2-11)
 Working temperature: -25°C to +60°C;
 Installation temperature: -5°C to +25°C

The Ø20mm bushing insulator is crafted for feed-through applications in electrical conduits within on-site cast concrete structures. It connects conduits in ceiling structures to those in non-bearing interior walls, directing wiring straight to a switch, plug socket, or junction box on the wall. This bushing includes a protective cast cover to ensure secure and safe installations.

REFERENCE	PACKAGING OPTIONS	
ETM775S	1PCS	250PCS

Technical drawings





Bushing insulator with Ø25mm inlet

ETM776S

IP20

PP

HALOGEN FREE

Colour: yellow

Certificates: CE, Semko

Conforms with: LVD, RoHS, WEEE

Complies with the standards: IEC 60670-1

Fire hazard test: 850°C (IEC60695-2-11)

Working temperature: -25°C to +60°C;

Installation temperature: -5°C to +25°C

The Ø25mm bushing insulator is crafted for feed-through applications in electrical conduits within on-site cast concrete structures. It connects conduits in ceiling structures to those in non-bearing interior walls, directing wiring straight to a switch, plug socket, or junction box on the wall. This bushing includes a protective cast cover to ensure secure and safe installations.

REFERENCE	PACKAGING OPTIONS	
ETM776S	1PCS	200PCS



5-way bushing insulator

ETM800S

IP20

PP

HALOGEN FREE

Colour: yellow

Certificates: CE, Semko

Conforms with: LVD, RoHS, WEEE

Complies with the standards: IEC 60670-1

Fire hazard test: 850°C (IEC60695-2-11)

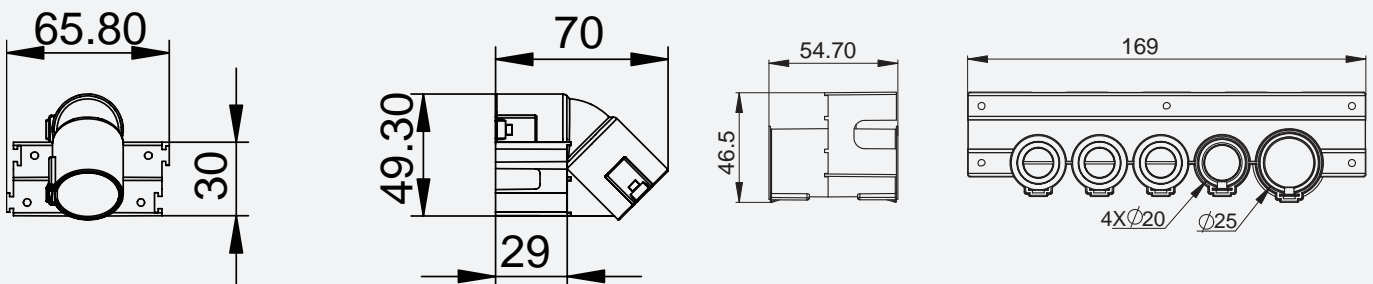
Working temperature: -25°C to +60°C;

Installation temperature: -5°C to +25°C

This 5-way bushing insulator is designed for on-site cast houses, featuring 4xØ20mm and 1xØ25mm inlets. Steel clips in the upper and lower pipe fittings ensure secure pipe placement during installation. It's ideal for mounting on center partitions, with straight-up openings for easy routing to the distribution box. The lower fitting includes a pre-installed protective plug.

REFERENCE	PACKAGING OPTIONS	
ETM800S	1PCS	100PCS

Technical drawings



Accessories



Plastic lid for wall boxes

ETM750S.LID **IP30** **PP** **HALOGEN FREE**

Colour: blue or grey
 Certificates: CE, Semko
 Conforms with: RoHS
 Complies with the standards: IEC 60670-1
 Fire hazard test: 850°C (IEC60695-2-11)
 Working temperature: -25°C to +60°C;
 Installation temperature: -5°C to +25°C

This lid, included with the lime boxes, is specifically designed for protection during concrete casting. It effectively shields the box's interior, preventing debris and concrete from entering, ensuring a clean and secure installation.

REFERENCE	PACKAGING OPTIONS	
ETM750S.LID	1PCS	500PCS

Extension ring for wall boxes

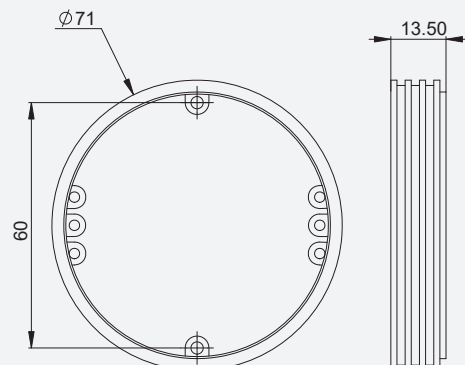
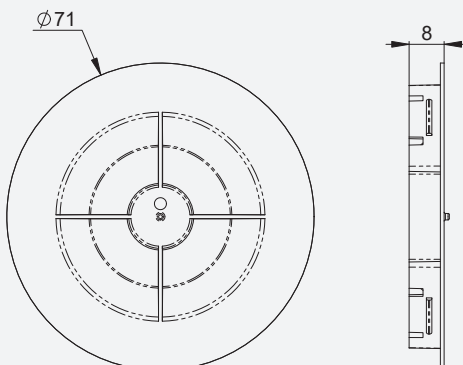
ETM543S **IP20** **PP** **HALOGEN FREE**

Colour: white
 Certificates: CE, Semko
 Conforms with: RoHS
 Complies with the standards: IEC 60670-1
 Fire hazard test: 850°C (IEC60695-2-11)
 Working temperature: -25°C to +60°C;
 Installation temperature: -5°C to +25°C

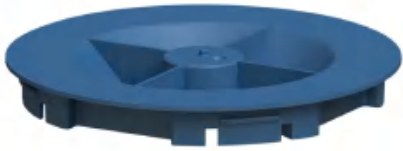
This extension ring for lime boxes adds an additional 12mm of height, providing extra space for wiring and connections. It's designed to seamlessly integrate with lime outlet boxes, ensuring a secure fit and enhanced flexibility in installations. Perfect for situations where a deeper box is required, this ring offers a simple solution for adjusting box depth.

REFERENCE	PACKAGING OPTIONS	
ETM543S	1PCS	350PCS

Technical drawings



Accessories



Plastic lid for junction boxes

ETM763S IP20 PP HALOGEN FREE

Colour: Blue or grey
 Certificates: CE
 Conforms with: RoHS
 Complies with the standards: IEC 60670-1
 Fire hazard test: 850°C (IEC60695-2-11)
 Working temperature: -25°C to +60°C;
 Installation temperature: -5°C to +25°C

The junction lid, available for separate purchase, is specifically designed to protect wiring during installation. It ensures that the internal components remain secure and undamaged, providing an extra layer of safety and reliability throughout the installation process.

REFERENCE	PACKAGING OPTIONS	
ETM763S	1PCS	300PCS



Extension ring for junction boxes

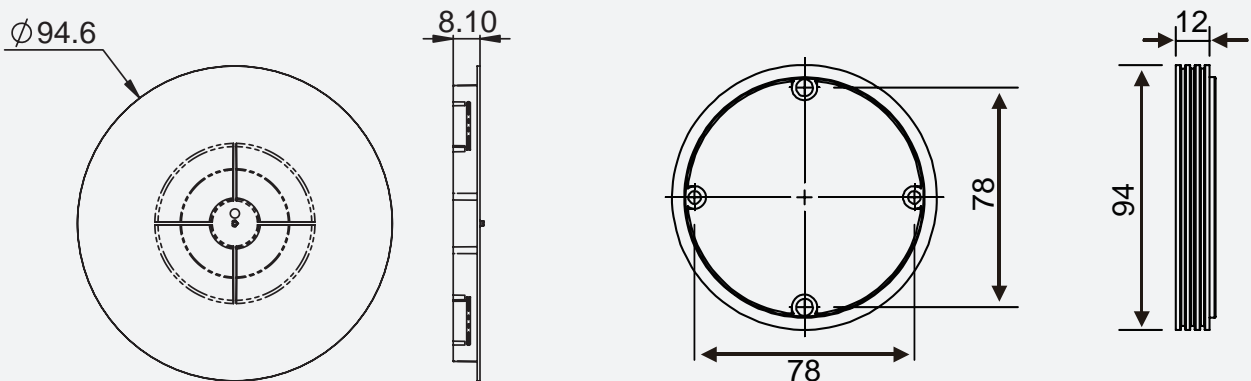
ETM549S IP20 PP HALOGEN FREE

Colour: white
 Certificates: CE
 Conforms with: RoHS
 Complies with the standards: IEC 60670-1
 Fire hazard test: 850°C (IEC60695-2-11)
 Working temperature: -25°C to +60°C;
 Installation temperature: -5°C to +25°C

This extension ring adds an additional 12mm of depth junction boxes, providing extra space for more complex installations. It is easily secured with four screws, featuring a centre-to-centre distance of 78mm, ensuring a secure and stable fit. Ideal for situations where additional wiring space is needed.

REFERENCE	PACKAGING OPTIONS	
ETM549S	1PCS	160PCS

Technical drawings





Plastic cap for junction box inlets

ETM765S

IP30

PP

HALOGEN FREE

Colour: black
 Certificates: CE, Semko
 Conforms with: RoHS
 Complies with the standards: IEC 60670-1
 Fire hazard test: 850°C (IEC60695-2-11)
 Working temperature: -25°C to +60°C;
 Installation temperature: -5°C to +25°C

This cap is specifically designed to fit ETM771S strain relief inlets, ensuring a secure and protective closure for Ø6-11mm insulated cables. It provides an added layer of protection during installation.

REFERENCE	PACKAGING OPTIONS	
ETM765S	1PCS	1500PCS



Ø20mm conduit end piece

ETM802S

IP30

PP

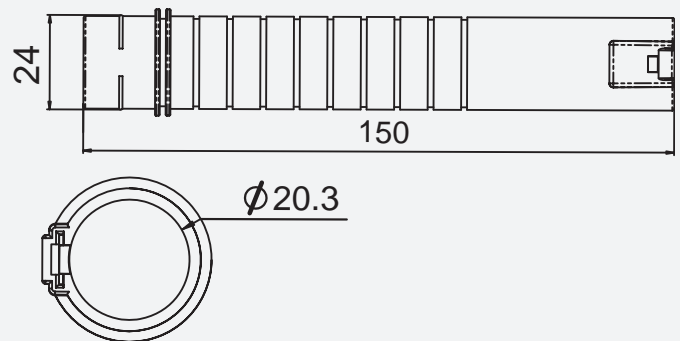
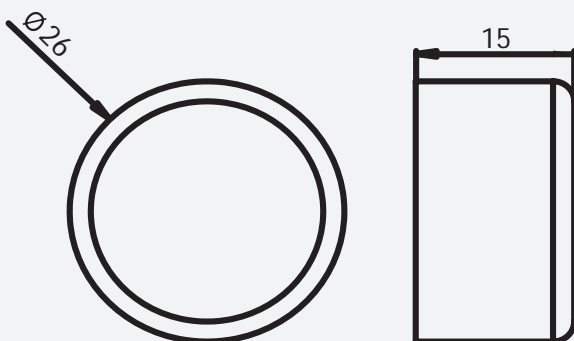
HALOGEN FREE

Colour: yellow
 Certificates: CE, Semko
 Conforms with: RoHS
 Complies with the standards: IEC 60670-1
 Fire hazard test: 850°C (IEC60695-2-11)
 Working temperature: -25°C to +60°C;
 Installation temperature: -5°C to +25°C

This 150mm long, Ø20mm conduit end piece is specifically designed for terminating plastic conduits in concrete casting. After casting, the end piece can be trimmed to the desired length using the built-in cut-off grooves, allowing for seamless continuation with a conduit of the same size. The included plug effectively protects the conduit from dirt, concrete, and other foreign particles.

REFERENCE	PACKAGING OPTIONS	
ETM802S	1PCS	400PCS

Technical drawings



Accessories



Ø25mm conduit end piece

ETM803S IP30 PP HALOGEN FREE

Colour: yellow
 Certificates: CE, Semko
 Conforms with: RoHS
 Complies with the standards: IEC 60670-1
 Fire hazard test: 850°C (IEC60695-2-11)
 Working temperature: -25°C to +60°C;
 Installation temperature: -5°C to +25°C

This 150mm long, Ø25mm conduit end piece is specifically designed for terminating plastic conduits in concrete casting. After casting, the end piece can be trimmed to the desired length using the built-in cut-off grooves, allowing for seamless continuation with a conduit of the same size. The included plug effectively protects the conduit from dirt, concrete, and other foreign particles.

REFERENCE	PACKAGING OPTIONS	
ETM803S	1PCS	260PCS



Box support 66mm

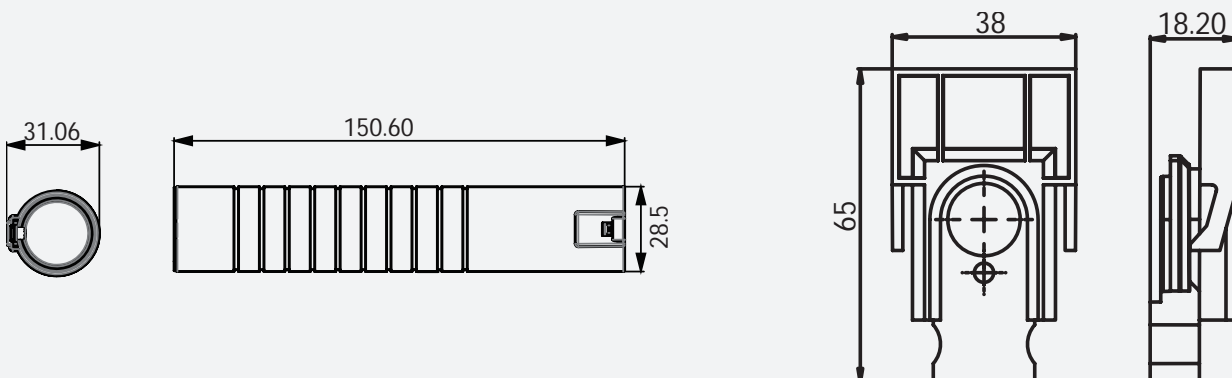
ETM829S IP30 PP HALOGEN FREE

Colour: white
 Certificates: CE
 Conforms with: RoHS
 Complies with the standards: IEC 60670-1
 Fire hazard test: 850°C (IEC60695-2-11)
 Working temperature: -25°C to +60°C;
 Installation temperature: -5°C to +25°C

This box support is designed for all knock-out inlets in the Lime series, providing reliable reinforcement with an available length of 66mm. It ensures stable and secure mounting, supporting the integrity of the installation and accommodating various conduit sizes for versatile applications.

REFERENCE	PACKAGING OPTIONS	
ETM829S	1PCS	800PCS

Technical drawings





Box support 42, 45 and 65mm

ETM773S

IP30

PP

HALOGEN FREE

Colour: yellow

Certificates: CE, Semko

Conforms with: RoHS

Complies with the standards: IEC 60670-1

Fire hazard test: 850°C (IEC60695-2-11)

Working temperature: -25°C to +60°C;

Installation temperature: -5°C to +25°C

This box support is designed for use with mounting and junction boxes featuring knock-out inlets. It is specifically engineered for installation in light, non-bearing walls that are constructed on-site, accommodating interlayers of 42mm, 45mm, and 65mm.

REFERENCE	PACKAGING OPTIONS	
ETM773S	1PCS	800PCS

Box support 42, 45, 66, 70, 90 and 95mm

ETM774S

IP30

PP

HALOGEN FREE

Colour: yellow

Certificates: CE, Semko

Conforms with: RoHS

Complies with the standards: IEC 60670-1

Fire hazard test: 850°C (IEC60695-2-11)

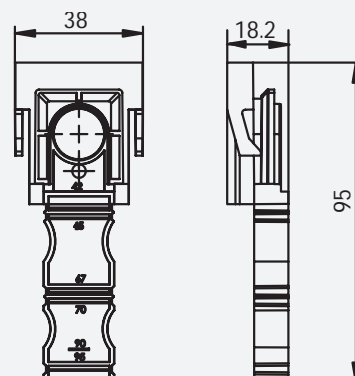
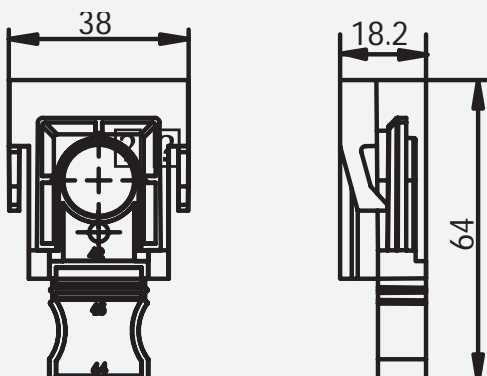
Working temperature: -25°C to +60°C;

Installation temperature: -5°C to +25°C

This box support is designed for use with mounting and junction boxes featuring knock-out inlets. It facilitates the installation of boxes into light, non-bearing walls constructed on-site, accommodating interlayers of 42mm, 45mm, 66mm, 70mm, 90mm, and 95mm. The support ensures a secure and stable fit across various wall thicknesses, providing flexibility and reliability in your installations.

REFERENCE	PACKAGING OPTIONS	
ETM774S	1PCS	600PCS

Technical drawings



Accessories



Closed box connector cc 102mm

ETM779S **IP30** **PP** **HALOGEN FREE**

Colour: blue
 Certificates: CE, Semko
 Conforms with: RoHS
 Complies with the standards: IEC 60670-1
 Fire hazard test: 850°C (IEC60695-2-11)
 Working temperature: -25°C to +60°C;
 Installation temperature: -5°C to +25°C

The connecting piece ETM779S is designed for installations where low-voltage or high-current circuit box groups are mounted under separate cover plates. It ensures a precise alignment with a 102mm distance between the centers of the boxes, facilitating seamless integration and organisation of multiple circuits.

REFERENCE	PACKAGING OPTIONS	
ETM779S	1PCS	600PCS



Open box connector cc 71mm

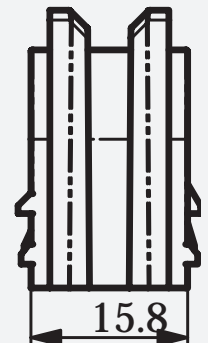
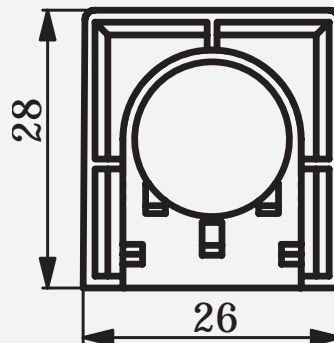
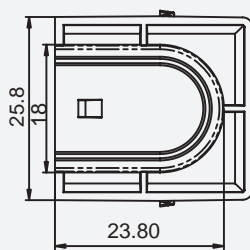
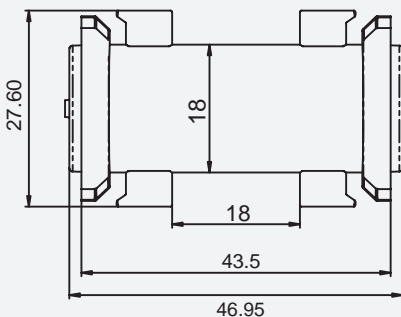
ETM772S **IP30** **PP** **HALOGEN FREE**

Colour: blue
 Certificates: CE
 Conforms with: RoHS
 Complies with the standards: IEC 60670-1
 Fire hazard test: 850°C (IEC60695-2-11)
 Working temperature: -25°C to +60°C;
 Installation temperature: -5°C to +25°C

The internal connector is designed to link mounting boxes side by side with a precise centre-to-centre distance of 71mm. This connector ensures a secure and seamless connection between boxes, facilitating organised and efficient installations. Ideal for creating a uniform setup, it simplifies the alignment and assembly of multiple mounting boxes.

REFERENCE	PACKAGING OPTIONS	
ETM772S	1PCS	2000PCS

Technical drawings





Installation plug

ETM801S

IP30

PP

HALOGEN FREE

Colour: yellow

Certificates: CE, Semko

Conforms with: RoHS

Complies with the standards: IEC 60670-1

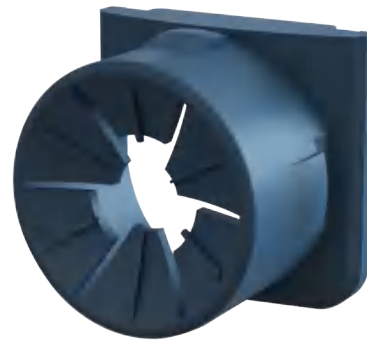
Fire hazard test: 850°C (IEC60695-2-11)

Working temperature: -25°C to +60°C;

Installation temperature: -5°C to +25°C

The installation plug is designed for securely fastening outlet and junction boxes to surfaces like concrete casting moulds. It ensures a stable hold during the casting process. Once the casts are removed, the plug breaks cleanly at the pre-defined groove level with the base, leaving a flush and clean finish thanks to a plastic cap.

REFERENCE	PACKAGING OPTIONS	
ETM773S	1PCS	800PCS



Cable strain relief inlet

ETM771S

IP30

PP

HALOGEN FREE

Colour: blue

Certificates: CE, Semko

Conforms with: RoHS

Complies with the standards: IEC 60670-1

Fire hazard test: 850°C (IEC60695-2-11)

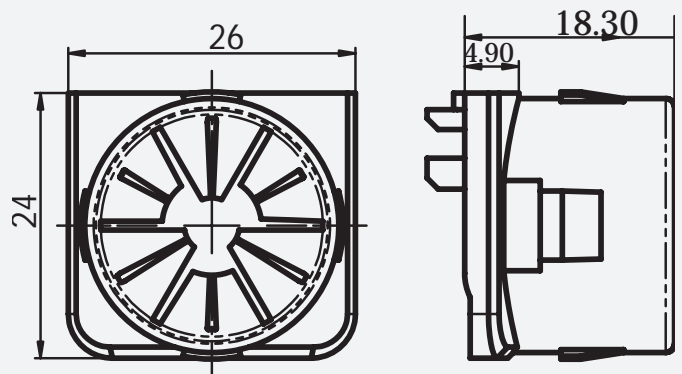
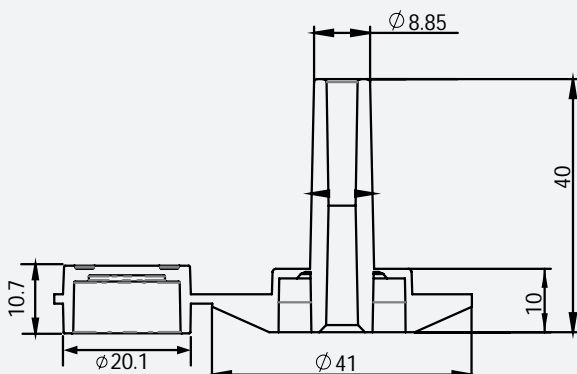
Working temperature: -25°C to +60°C;

Installation temperature: -5°C to +25°C

The strain-relief inlet is designed for conduitless flush mounting, securely fastening Ø6-11mm insulated cables to mounting or junction boxes. It provides reliable strain relief, ensuring that cables remain firmly attached and protected. The boxes are installed in the standard manner within boards or other structures, offering a seamless and professional finish.

REFERENCE	PACKAGING OPTIONS	
ETM771S	1PCS	2400PCS

Technical drawings



Accessories



Closed box connector cc 102mm

ETM770S **IP30** **PP** **HALOGEN FREE**

Colour: blue
 Certificates: CE, Semko
 Conforms with: RoHS
 Complies with the standards: IEC 60670-1
 Fire hazard test: 850°C (IEC60695-2-11)
 Working temperature: -25°C to +60°C;
 Installation temperature: -5°C to +25°C

The Ø20mm inlet features a locking plate that prevents conduit disconnection, ensuring a secure and stable connection. To release the conduit, simply push in the plate using a flat head screwdriver. This versatile inlet is suitable for use in both outlet boxes and junction boxes.

REFERENCE	PACKAGING OPTIONS	
ETM770S	1PCS	1200PCS



Open box connector cc 71mm

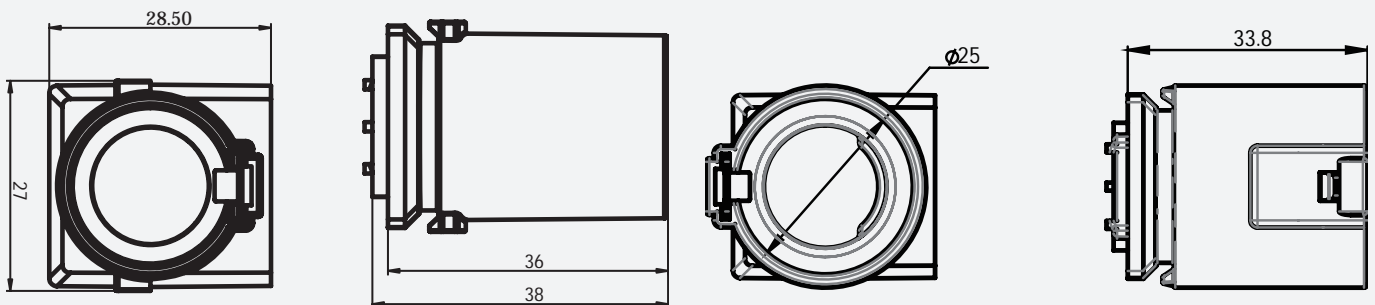
ETM778S **IP30** **PP** **HALOGEN FREE**

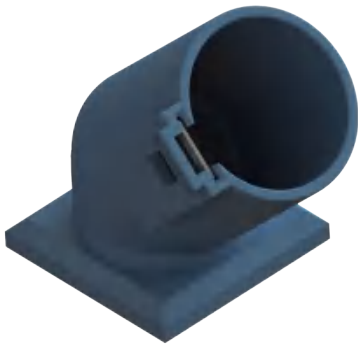
Colour: blue
 Certificates: CE
 Conforms with: RoHS
 Complies with the standards: IEC 60670-1
 Fire hazard test: 850°C (IEC60695-2-11)
 Working temperature: -25°C to +60°C;
 Installation temperature: -5°C to +25°C

The Ø25mm inlet features a locking plate that prevents conduit disconnection, ensuring a secure and stable connection. To release the conduit, simply push in the plate using a flat head screwdriver. This versatile inlet is suitable for use in both outlet boxes and junction boxes.

REFERENCE	PACKAGING OPTIONS	
ETM778S	1PCS	1000PCS

Technical drawings





Installation plug

ETM769S

IP30

PP

HALOGEN FREE

Colour: blue

Certificates: CE, Semko

Conforms with: RoHS

Complies with the standards: IEC 60670-1

Fire hazard test: 850°C (IEC60695-2-11)

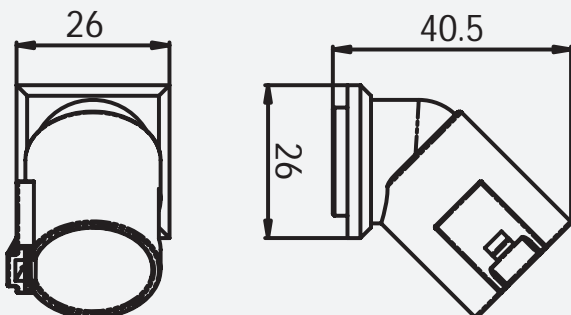
Working temperature: -25°C to +60°C;

Installation temperature: -5°C to +25°C

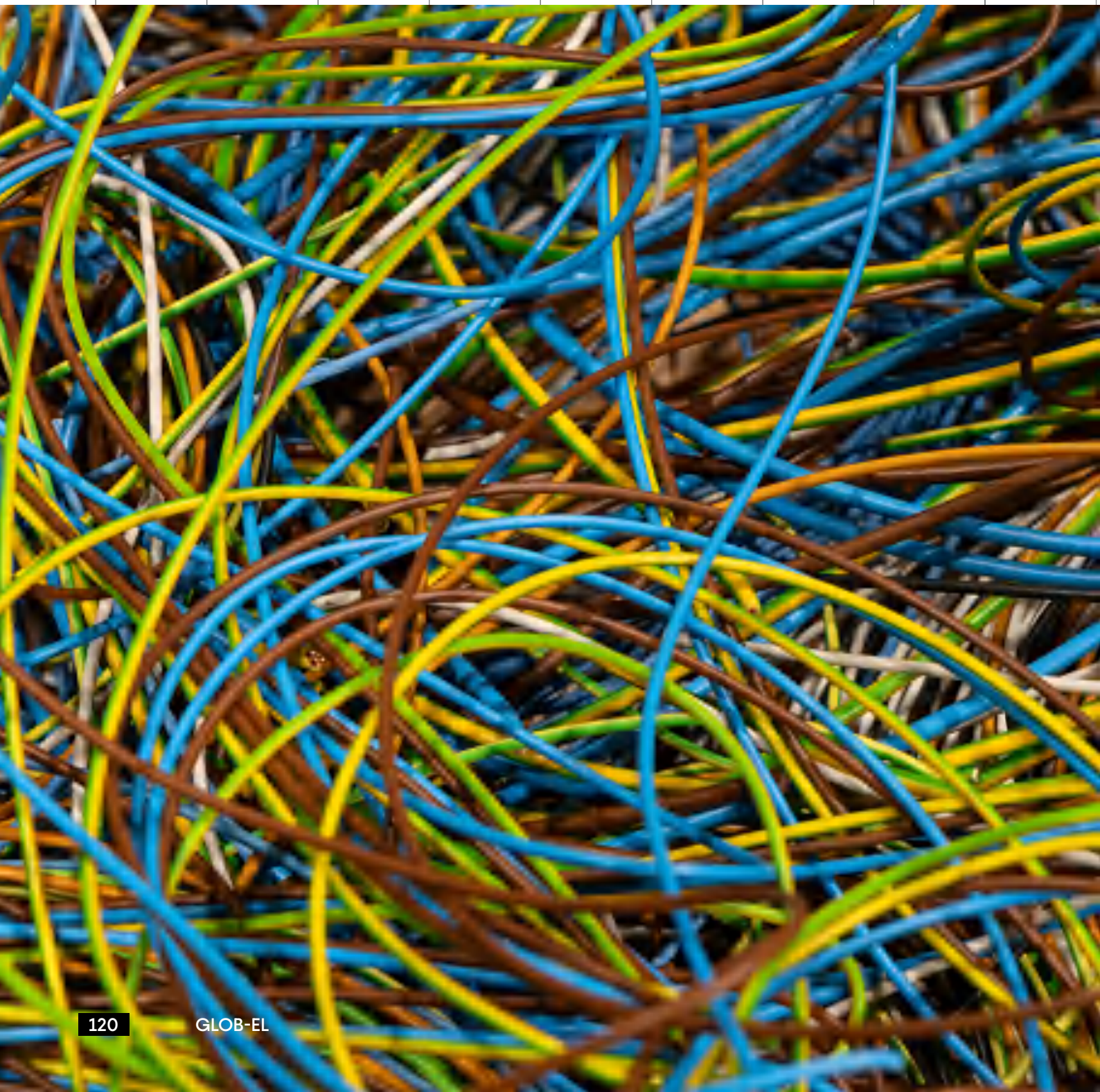
The Ø20mm angle inlet features a locking plate that prevents conduit disconnection, ensuring a secure and stable connection. To release the conduit, simply push in the plate using a flat head screwdriver. This versatile inlet is suitable for use in both outlet boxes and junction boxes.

REFERENCE	PACKAGING OPTIONS	
ETM769S	1PCS	1200PCS

Technical drawings



Cables and wires



We offer a robust selection of high-performance cables and wires engineered for safety, reliability, and efficiency across a wide range of applications - from homes and offices to demanding industrial environments.

Whether you're wiring a new build or upgrading existing systems, our products meet stringent quality and safety standards, ensuring optimal power distribution and secure, long-lasting connections.

Our extensive portfolio includes LS0H, PEX, PVC, and TRS cables, available in a variety of options. This ensures compatibility with diverse installation requirements and regulatory demands.

Built to perform in extreme conditions, our

cables are designed to resist both heat and cold, maintaining consistent performance without compromising on safety or efficiency. Made with high-grade copper, they deliver excellent conductivity and superior durability, even under continuous, high-load operation.

Fire safety is a top priority. Many of our cables feature flame-retardant properties that help contain and slow the spread of fire, making them an ideal choice for modern construction projects focused on risk mitigation.

When reliability, longevity, and compliance matter, Glob-el cables and wires deliver—backed by decades of experience and trusted by professionals worldwide.

PRODUCT RANGE



EASY HANDLING AND INSTALLATION

Cables feature smooth sheathing, clear markings, and optimal flexibility for quick routing and stripping. To make things even easier on-site, our cables are packed in durable plastic reels—keeping them tangle-free and protected.

Cables



H07V-R

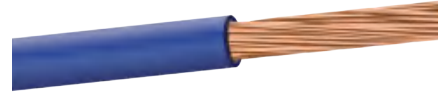
CONDUCTOR: STRANDED RIGID COPPER, ROUND

EN60228 CLASS 2 INSULATION: PVC

Standard: EN 50525-2-31
 Voltage rating: 450/750V
 Operating temperature: -15°C
 Max. conductor temperature: 70°C
 Max. short-circuit temperature: 160°C
 Fire classification: Eca
 AVCP: System 3
 Flame retardant: EN50575
 Certificates: CE, VDE, ISO 9001, ISO 14001, ISO 45001
 Conforms with: LVD, RoHS

H07Z1-K is a halogen-free, flame-retardant insulated installation line made of extremely low friction material with a round rigid standard copper conductor. It is suitable for electric power, lighting and internal wiring.

REFERENCE	DESCRIPTION	PACKAGING
80700110	1.5mm ² , blue	150m/reel
80700210	1.5mm ² , black	150m/reel
80700310	1.5mm ² , yellow/green	150m/reel
80700410	1.5mm ² , brown	150m/reel
80700510	1.5mm ² , white	150m/reel
80700610	1.5mm ² , grey	150m/reel
80700710	1.5mm ² , orange	150m/reel
80701110	2.5mm ² , blue	100m/reel
80701210	2.5mm ² , black	100m/reel
80701310	2.5mm ² , yellow/green	100m/reel
80701410	2.5mm ² , brown	100m/reel
80701510	2.5mm ² , white	100m/reel
80701610	2.5mm ² , grey	100m/reel
80701710	2.5mm ² , orange	100m/reel
807002110	4.0mm ² , brown	150m/reel
80702210	4.0mm ² , blue	150m/reel
80702310	4.0mm ² , yellow/green	150m/reel
80703110	6.0mm ² , brown	150m/reel
80703210	6.0mm ² , blue	150m/reel
80703310	6.0mm ² , yellow/green	150m/reel



H07V-K

CONDUCTOR: STANDARD FLEXIBLE COPPER, ROUND

EN60228 CLASS 5 INSULATION: PVC

Standard: EN 50525-2-31
 Voltage rating: 450/750V
 Operating temperature: -15°C
 Max. conductor temperature: 70°C
 Max. short-circuit temperature: 160°C
 Fire classification: Eca
 AVCP: System 3
 Flame retardant: EN50575
 Certificates: CE, ISO 9001, ISO 14001, ISO 45001
 Conforms with: LVD, RoHS

H07V-K is widely used for fixed electrical installations, flexible cords are also used as the soft connection for most domestic electrical appliances and instruments like switchboards, power distributors, etc.

REFERENCE	DESCRIPTION	PACKAGING
80730001	6.0mm ² , blue	150m/reel
80730002	6.0mm ² , black	150m/reel
80730003	6.0mm ² , yellow/green	150m/reel
80730004	6.0mm ² , brown	150m/reel
80730005	6.0mm ² , white	150m/reel
80730006	6.0mm ² , grey	150m/reel
80730007	16mm ² , blue	100m/reel
80730008	16mm ² , black	100m/reel
80730009	16mm ² , yellow/green	100m/reel
80730010	16mm ² , brown	100m/reel
80730011	16mm ² , white	100m/reel
80730012	16mm ² , grey	100m/reel



H07Z1-R

CONDUCTOR: STRANDED RIGID COPPER, ROUND

EN60228 CLASS 2 INSULATION: FR-PEX LSOH

EXTRA SLIDING LSOH POLYOLEFIN

Standard: EN 50525-3-31
 Voltage rating: 450/750V
 Operating temperature: -15°C
 Max. conductor temperature: 70°C
 Max. short-circuit temperature: 160°C
 Fire classification: Dca
 AVCP: System 3
 Flame retardant: EN50575
 Certificates: CE, Semko, ISO 9001, ISO 14001, ISO 45001
 Conforms with: LVD, RoHS

H07Z1-R is a halogen-free, flame-retardant insulated installation line made of extremely low friction material with a round rigid standard copper conductor. It is suitable for electric power, lighting and internal wiring installations.

REFERENCE	DESCRIPTION	PACKAGING
80708110	1.5mm ² , blue	150m/reel
80708210	1.5mm ² , black	150m/reel
80708310	1.5mm ² , yellow/green	150m/reel
80708410	1.5mm ² , brown	150m/reel
80708510	1.5mm ² , white	150m/reel
80708610	1.5mm ² , grey	150m/reel
80708710	1.5mm ² , orange	150m/reel
80708810	1.5mm ² , red	150m/reel
80709110	2.5mm ² , blue	100m/reel
80709210	2.5mm ² , black	100m/reel
80709310	2.5mm ² , yellow/green	100m/reel
80709410	2.5mm ² , brown	100m/reel
80709510	2.5mm ² , white	100m/reel
80709610	2.5mm ² , grey	100m/reel
80709710	2.5mm ² , orange	100m/reel
80709810	2.5mm ² , red	100m/reel
80709910	2.5mm ² , yellow	100m/reel
80710110	4.0mm ² , brown	150m/reel
80710210	4.0mm ² , blue	150m/reel
80710310	4.0mm ² , yellow/green	150m/reel
80720110	6.0mm ² , brown	150m/reel
80720210	6.0mm ² , blue	150m/reel
80720310	6.0mm ² , yellow/green	150m/reel



H07Z1-U

CONDUCTOR: STANDARD RIGID COPPER, ROUND

EN60228 CLASS 1 INSULATION: FR-PEX LSOH

EXTRA SLIDING LSOH POLYOLEFIN

Standard: EN 50525-3-31
 Voltage rating: 450/750V
 Operating temperature: -15°C
 Max. conductor temperature: 70°C
 Max. short-circuit temperature: 160°C
 Fire classification: Dca
 AVCP: System 3
 Flame retardant: EN50575
 Certificates: CE, Semko, ISO 9001, ISO 14001, ISO 45001
 Conforms with: LVD, RoHS

H07Z1-U is a halogen-free, flame-retardant insulated installation line of extremely low friction material with a round rigid standard copper conductor. It is suitable for electric power, lighting and internal wiring.

REFERENCE	DESCRIPTION	PACKAGING
80708160	1.5mm ² , blue	150m/reel
80708260	1.5mm ² , black	150m/reel
80708360	1.5mm ² , yellow/green	150m/reel
80708460	1.5mm ² , brown	150m/reel
80708560	1.5mm ² , white	150m/reel
80708660	1.5mm ² , grey	150m/reel
80708760	1.5mm ² , orange	150m/reel
80709160	2.5mm ² , blue	100m/reel
80709260	2.5mm ² , black	100m/reel
80709360	2.5mm ² , yellow/green	100m/reel
80709460	2.5mm ² , brown	100m/reel
80709560	2.5mm ² , white	100m/reel
80709660	2.5mm ² , grey	100m/reel
80709760	2.5mm ² , orange	100m/reel
80710160	4.0mm ² , brown	150m/reel
80710260	4.0mm ² , blue	150m/reel
80710360	4.0mm ² , yellow/green	150m/reel
80720160	6.0mm ² , brown	150m/reel
80720260	6.0mm ² , blue	150m/reel
80720360	6.0mm ² , yellow/green	150m/reel

Cables



H07V-U

CONDUCTOR: STANDARD SOLID COPPER, ROUND

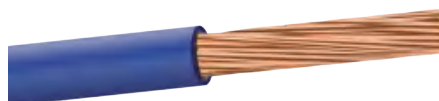
EN60228 CLASS 1

INSULATION: PVC

Standard: EN 50525-2-31
 Voltage rating: 450/750V
 Operating temperature: -15°C
 Max. conductor temperature: 70°C
 Max. short-circuit temperature: 160°C
 Fire classification: Eca
 AVCP: System 3
 Flame retardant: EN50575
 Certificates: CE, ISO 9001, ISO 14001, ISO 45001
 Conforms with: LVD, RoHS

H07V-U is a PVC, flame-retardant insulated installation line of extremely low friction material with a solid bare copper single conductor. It is suitable for electric power, lighting and internal wiring installations.

REFERENCE	DESCRIPTION	PACKAGING
80730013	1.5mm ² , blue	150m/reel
80730014	1.5mm ² , brown	150m/reel
80730015	1.5mm ² , yellow/green	150m/reel
80730016	2.5mm ² , blue	100m/reel
80730017	2.5mm ² , brown	100m/reel
80730018	2.5mm ² , yellow/green	100m/reel



H07Z1-K

CONDUCTOR: STRANDED FLEXIBLE COPPER, ROUND

EN60228 CLASS 5

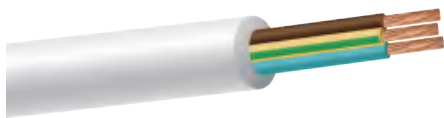
INSULATION: FR-PEX

LSOH

EXTRA SLIDING LSOH POLYOLEFIN

Standard: EN 50525-3-31
 Voltage rating: 450/750V
 Operating temperature: -15°C
 Max. conductor temperature: 70°C
 Max. short-circuit temperature: 160°C
 Fire classification: Dca
 AVCP: System 3
 Flame retardant: EN50575
 Certificates: CE, VDE, ISO 9001, ISO 14001, ISO 45001
 Conforms with: LVD, RoHS

REFERENCE	DESCRIPTION	PACKAGING
80708110	6.0mm ² , red	150m/reel
80708210	6.0mm ² , yellow	150m/reel
80730041	6.0mm ² , black	150m/reel
80730042	6.0mm ² , grey	150m/reel
80730043	6.0mm ² , blue	150m/reel
80730044	6.0mm ² , brown	150m/reel
80730045	6.0mm ² , yellow/green	150m/reel
80730021	10mm ² , red	150m/reel
80730022	10mm ² , yellow	150m/reel
80730023	10mm ² , blue	150m/reel
80730024	10mm ² , black	150m/reel
80730025	10mm ² , green	150m/reel
80730026	10mm ² , brown	150m/reel
80730027	10mm ² , yellow/green	150m/reel
80730028	10mm ² , white	150m/reel
80730029	10mm ² , grey	150m/reel
80730030	10mm ² , orange	150m/reel
80730031	16mm ² , red	150m/reel
80730032	16mm ² , yellow	150m/reel
80730033	16mm ² , blue	150m/reel
80730034	16mm ² , black	150m/reel
80730035	16mm ² , green	150m/reel
80730036	16mm ² , brown	150m/reel
80730037	16mm ² , yellow/green	150m/reel
80730038	16mm ² , white	150m/reel
80730039	16mm ² , grey	150m/reel
80730040	16mm ² , orange	150m/reel



H05VV-F

CONDUCTOR: STRANDED BARE COPPER, ROUND

EN60228

INSULATION: PVC

SHEATH: PVC

Standard: EN 50525-2-11

Voltage rating: 300/500V

Operating temperature: 0°C- +70°C

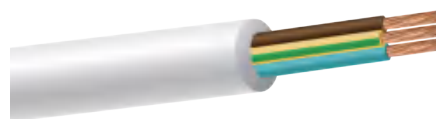
AVCP: System 3

Flame retardant: EN50575

Certificates: VDE, ISO 9001, ISO 14001, ISO 45001

Conforms with: LVD, RoHS

REFERENCE	DESCRIPTION	SHEATH
80800007	2×1.0mm ² , brown, blue	white
80800008	3G0.75mm ² , brown, blue, yellow/green	orange*
80800009	3G0.75mm ² , brown, blue, yellow/green	blue*
80800010	3G0.75mm ² , brown, blue, yellow/green	transparent
80800011	3G0.75mm ² , brown, blue, yellow/green	black
80800012	3G0.75mm ² , brown, blue, yellow/green	yellow
80800013	3G0.75mm ² , brown, blue, yellow/green	grey
80800014	3G0.75mm ² , brown, blue, yellow/green	white
80800015	3G1.0mm ² , brown, blue, yellow/green	orange*
80002001	3G1.0mm ² , brown, blue, yellow/green	black
80800017	3G1.0mm ² , brown, blue, yellow/green	light grey
80002000	3G1.0mm ² , brown, blue, yellow/green	white
80800019	3G1.0mm ² , brown, blue, yellow/green	silvery
80800020	3G1.0mm ² , brown, blue, yellow/green	orange
80800021	3G1.0mm ² , brown, blue, yellow/green	green*
80800022	3G1.0mm ² , brown, blue, yellow/green	transparent
80800023	3G1.0mm ² , brown, blue, yellow/green	yellow
80800024	3G1.0mm ² , brown, blue, yellow/green	grey
80800025	3G1.0mm ² , brown, blue, yellow/green	blue
80002101	3G1.5mm ² , brown, blue, yellow/green	black
80800027	3G1.5mm ² , brown, blue, yellow/green	yellow
80800028	3G1.5mm ² , brown, blue, yellow/green	orange*
80800029	3G1.5mm ² , brown, blue, yellow/green	blue*
80002100	3G1.5mm ² , brown, blue, yellow/green	white
80800031	3G1.5mm ² , brown, blue, yellow/green	blue
80800032	3G1.5mm ² , brown, blue, yellow/green	transparent
80002201	3G2.5mm ² , brown, blue, yellow/green	black
80002200	3G2.5mm ² , brown, blue, yellow/green	white
80002300	3G4.0mm ² , brown, blue, yellow/green	white
80002301	3G1.5mm ² , brown, blue, yellow/green	black
80800035	5G4.0mm ² , brown, blue, black, grey, yellow/green	white



H03VV-F

CONDUCTOR: MULTIPLE STANDARD BARE COPPER, ROUND

EN60228

INSULATION: PVC

SHEATH: PVC

Standard: EN 50525-2-11

Voltage rating: 300/500V

Operating temperature: 0°C- +70°C

AVCP: System 3

Flame retardant: EN50575

Certificates: VDE, ISO 9001, ISO 14001, ISO 45001

Conforms with: LVD, RoHS

H03VV-F is a PVC, flame-retardant insulated installation line of extremely low friction material with multiple standard of bare copper conductor. Suitable for medium and light mobile electrical appliances, instruments, household appliances, power lighting, and other flexible applications.

REFERENCE	DESCRIPTION	SHEATH
80800001	3G0.75mm ² , brown, blue, yellow/green	black
80003000	3G0.75mm ² , brown, blue, yellow/green	white

* transparent colours

Cables



H03VVH2-F

CONDUCTOR: MULTIPLE STANDARD OF BARE COPPER, FLAT

EN60228 INSULATION: PVC SHEATH: PVC

Standard: EN 50525-2-11
 Voltage rating: 300/500V
 Operating temperature: 0°C- +70°C
 AVCP: System 3
 Flame retardant: EN50575
 Certificates: VDE, ISO 9001, ISO 14001, ISO 45001
 Conforms with: LVD, RoHS

H03VVH2-F is a PVC, flame-retardant insulated installation line of extremely low friction material with multiple standard of bare copper conductor. Suitable for medium and light mobile electrical appliances, instruments and household appliances.

REFERENCE	DESCRIPTION	SHEATH
80000400	2×0.75mm ² , brown, blue	black
80000500	2×0.75mm ² , brown, blue	white
80001700	2×0.75mm ² , brown, blue	gold
80000600	2×0.75mm ² , brown, blue	silvery
80000700	2×0.75mm ² , brown, blue	brass



H05VVH2-F

CONDUCTOR: MULTIPLE STANDARD OF BARE COPPER, FLAT

EN60228 INSULATION: PVC SHEATH: PVC

Standard: EN 50525-2-11
 Voltage rating: 300/500V
 Operating temperature: 0°C- +70°C
 AVCP: System 3
 Flame retardant: EN50575
 Certificates: VDE, ISO 9001, ISO 14001, ISO 45001
 Conforms with: LVD, RoHS

H03VVH2-F is a PVC, flame-retardant insulated installation line of extremely low friction material with multiple standard of bare copper conductor. Suitable for medium and light mobile electrical appliances, instruments and household appliances.

REFERENCE	DESCRIPTION	SHEATH
80800036	2×1.0mm ² , brown, blue	black
80800037	2×1.05mm ² , brown, blue	white



TP90

CONDUCTOR: STANDARD TINNED COPPER, FLAT

EN60228 INSULATION: CROSS-LINKED POLYETHYLENE (PEX)

SHEATH: PVC

Standard: EN 50525
 Voltage rating: 300/500V
 Operating temperature: 0°C- +90°C
 Flame retardant: EN50575
 Certificates: CE, ISO 9001, ISO 14001, ISO 45001
 Conforms with: LVD, RoHS

TP90 is a halogen-free, double-insulated portable cable rated for 90°C, ideal for indoor low-voltage installations. Its flexible design makes it perfect for connecting halogen lamps, downlights, solar panel systems, and speaker setups, ensuring maximum safety and efficiency.

REFERENCE	DESCRIPTION	SHEATH
81009015	2×1.5mm ² , brown, blue	white
81009025	2×2.5mm ² , brown, blue	white



MMJ/PFXP/EKK

CONDUCTOR: STANDARD RIGID COPPER, ROUND

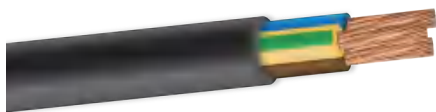
EN60228 CLASS 1 INSULATION: PVC SHEATHS: PVC

Standard: EN 50525/ NEK 535/ SFS 2091
 Voltage rating: 300/500V
 Operating temperature: 0°C- +70°C
 Fire classification: Eca
 AVCP: System 3
 Flame retardant: EN50575
 Certificates: CE, ISO 9001, ISO 14001, ISO 45001
 Conforms with: LVD, RoHS

MMJ/PFXP/EKK is a lead-free PVC insulated and PVC sheathed house wiring cable with circular, solid copper conductors, the cable is double insulated. It is suitable for fixed surface and flush-mounted installations indoors and outdoors, and installation in slots and pipes. Not suitable for installation directly in ground or directly in concrete without protective ducting. Direct sunlight (UV) may slightly alter the colour of the sheath.

REFERENCE	DESCRIPTION	SHEATH
80900001	3G1.5mm ² , brown, blue, yellow/green	black/white
80900002	3G2.5mm ² , brown, blue, yellow/green	black/white
80900003	5G1.5mm ² , brown, blue, yellow/green	black/white
80900004	5G2.5mm ² , brown, blue, yellow/green	black/white

Cables



H07RN-F

CONDUCTOR: COPPER, CIRCULAR, FLEXIBLE

EN60228 CLASS 5 SHEATH: RUBBER COMPOUND

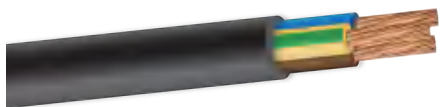
INSULATION: CROSS-LINKED POLYETHYLENE (PEX)

Standard: EN 50525-2-21
 Voltage rating: 450/750V
 Operating temperature: -35°C- +55°C
 Flame retardant: IEC 60332-1
 Certificates: VDE, ISO 9001, ISO 14001, ISO 45001
 Conforms with: LVD, RoHS
 UV resistant: yes

H07RN-F is an oil and grease resistant flexible cable, durable against high temperature, moisture and frost. This cable can be used in refrigerating installations. It can also be buried but with extra mechanical protection.

REFERENCE	DESCRIPTION	SHEATH
80601710	2×1.0mm ² , brown, blue	black
80601810	2×1.5mm ² , brown, blue	black
80601910	3Gx1.0mm ² , brown, blue, yellow/green	black
80601010	3Gx1.5mm ² , brown, blue, yellow/green	black
80601110	3Gx2.5mm ² , brown, blue, yellow/green	black
80602010	4Gx1.5mm ² , brown, black, grey, yellow/green	black
80601210	4Gx2.5mm ² , brown, black, grey, yellow/green	black
80601310	4Gx4.0mm ² , brown, black, grey, yellow/green	black
80601410	4Gx6.0mm ² , brown, black, grey, yellow/green	black
80601510	5Gx1.5mm ² , brown, blue, black, grey, yellow/green	black
80601610	5Gx2.5mm ² , brown, blue, black, grey, yellow/green	black
80602110	5Gx4.0mm ² , brown, blue, black, grey, yellow/green	black
80602210	5Gx6.0mm ² , brown, blue, black, grey, yellow/green	black
80602310	5Gx16.0mm ² , brown, blue, black, grey, yellow/green	black
80606610	2×1.0mm ² , brown, blue	red
80606710	2×1.5mm ² , brown, blue	red
80606810	3Gx1.0mm ² , brown, blue, yellow/green	red
80606010	3Gx1.5mm ² , brown, blue, yellow/green	red
80606110	3Gx2.5mm ² , brown, blue, yellow/green	red
80606910	4Gx1.5mm ² , brown, black, grey, yellow/green	red
80606210	4Gx2.5mm ² , brown, black, grey, yellow/green	red
80606310	4Gx4.0mm ² , brown, black, grey, yellow/green	red
80606410	4Gx6.0mm ² , brown, black, grey, yellow/green	red

REFERENCE	DESCRIPTION	SHEATH
80606510	5Gx1.5mm ² , brown, blue, black, grey, yellow/green	red
80607010	5Gx2.5mm ² , brown, blue, black, grey, yellow/green	red
80607110	5Gx4.0mm ² , brown, blue, black, grey, yellow/green	red
80607210	5Gx6.0mm ² , brown, blue, black, grey, yellow/green	red
80607310	5Gx16.0mm ² , brown, blue, black, grey, yellow/green	red
80607410	2×1.0mm ² , brown, blue	blue
80607510	2×1.5mm ² , brown, blue	blue
80607610	3Gx1.0mm ² , brown, blue, yellow/green	blue
80607710	3Gx1.5mm ² , brown, blue, yellow/green	blue
80607810	3Gx2.5mm ² , brown, blue, yellow/green	blue
80607910	4Gx1.5mm ² , brown, black, grey, yellow/green	blue
80608010	4Gx2.5mm ² , brown, black, grey, yellow/green	blue
80608110	4Gx4.0mm ² , brown, black, grey, yellow/green	blue
80608210	4Gx6.0mm ² , brown, black, grey, yellow/green	blue
80608310	5Gx1.5mm ² , brown, blue, black, grey, yellow/green	blue
80608410	5Gx2.5mm ² , brown, blue, black, grey, yellow/green	blue
80608510	5Gx4.0mm ² , brown, blue, black, grey, yellow/green	blue
80608610	5Gx6.0mm ² , brown, blue, black, grey, yellow/green	blue
80608710	5Gx16.0mm ² , brown, blue, black, grey, yellow/green	blue



H05RR-F

CONDUCTOR: COPPER, CIRCULAR, FLEXIBLE

EN60228 CLASS 5 SHEATH: TOUGH RUBBER (TRS)

INSULATION: TOUGH RUBBER SHEATH (TRS)

Standard: EN 50525-2-21

Voltage rating: 300/500V

Operating temperature: -35°C- +55°C

Flame retardant: IEC 60332-1

Certificates: VDE, ISO 9001, ISO 14001, ISO 45001

Conforms with: LVD, RoHS

UV resistant: yes

H05RR-F is an oil and grease resistant flexible cable, durable against high temperature, moisture and frost. This cable can be used in refrigerating installations. It can also be buried but with extra mechanical protection.

REFERENCE	DESCRIPTION	SHEATH
80600210	3Gx1.0mm ² , brown, blue, yellow/green	black
80600010	3Gx1.5mm ² , brown, blue, yellow/green	black
80600110	3Gx2.5mm ² , brown, blue, yellow/green	black
80605210	3Gx1.0mm ² , brown, blue, yellow/green	red
80605010	3Gx1.5mm ² , brown, blue, yellow/green	red
80605110	3Gx2.5mm ² , brown, blue, yellow/green	red
80605310	3Gx1.0mm ² , brown, blue, yellow/green	blue
80605410	3Gx1.5mm ² , brown, blue, yellow/green	blue
80605510	3Gx2.5mm ² , brown, blue, yellow/green	blue

Cable clips



Round cable clips with screw

PP HALOGEN FREE

Colour: white, black
 Certificates: CE
 Plastic part: UV stable, impact resistant
 Metal part: corrosion class C4, Dacromet coating hardened steel
 Applications: indoor/outdoor, wood/wood fiber boards, cellular concrete
 Working temperature: -25°C to 45°C
 Installation temperature: 0°C to 25°C

REFERENCE	DESCRIPTION	QTY
ETM264SW	7×10mm clip, white, Ø5mm screw, PH2, 32mm screw length	1
ETM265SW	8×12mm clip, white, Ø5mm screw, PH2, 32mm screw length	1
ETM266S/1W	10×14mm clip, white, Ø5mm screw, PH2, 35mm screw length	1
ETM267S/1W	14×18mm clip, white, Ø5mm screw, PH2, 37mm screw length	1
ETM268SW	18×22mm clip, white, Ø5mm screw, PH2, 40mm screw length	1
ETM279SW	22×26mm clip, white, Ø5mm screw, PH2, 45mm screw length	1
ETM265SB	8×12mm clip, black, Ø5mm screw, PH2, 32mm screw length	1
ETM266S/1B	10×14mm clip, black, Ø5mm screw, PH2, 35mm screw length	1
ETM267S/1B	14×18mm clip, black, Ø5mm screw, PH2, 37mm screw length	1
ETM268SB	18×22mm clip, black, Ø5mm screw, PH2, 40mm screw length	1
ETM279SB	22×26mm clip, black, Ø5mm screw, PH2, 45mm screw length	1
ETM267SD	14×18mm clip, white, Ø4.8mm screw, PH2, 32mm screw length	1
ETM268SD	18×22mm clip, white, Ø4.8mm screw, PH2, 32mm screw length	1



Flat cable clip with nail

PP HALOGEN FREE

Colour: white
 Certificates: CE
 Plastic part: UV stable, impact resistant
 Metal part: corrosion class C4, Dacromet coating hardened steel
 Applications: indoor/outdoor, wood/wood fiber boards, cellular concrete
 Working temperature: -25°C to 45°C
 Installation temperature: 0°C to 25°C

This flat cable clip is designed for secure and tidy fastening of flat cables to a variety of surfaces, including indoor/outdoor wood, wood fiber boards, and cellular concrete. Durable and easy to install, it keeps cables firmly in place - no slipping, no mess. Ideal for clean, professional-looking installations.

REFERENCE	DESCRIPTION	QTY
ETM020SW	3×5mm clip size, 1.5mm nail diameter, 20mm total nail length, 14mm useful nail length	1
ETM016SW	6×9mm clip size, 1.5mm nail diameter, 25mm total nail length, 15mm useful nail length	1
ETM017SW	7×10mm clip size, 2.0mm nail diameter, 25mm total nail length, 16mm useful nail length	1



Round cable clips with nail

PP

HALOGEN FREE

Colour: white, black, grey, transparent

Certificates: CE

Plastic part: UV stable, impact resistant

Metal part: corrosion class C4, Dacromet coating hardened steel

Applications: indoor/outdoor, wood/wood fiber boards, cellular concrete

Working temperature: -25°C to 45°C

Installation temperature: 0°C to 25°C

REFERENCE	DESCRIPTION	QTY
ETM020S/2W	3×5mm clip, white, Ø1.2mm nail, 20mm nail length	1
ETM256SW	4×6mm clip, white, Ø1.2mm nail, 20mm nail length	1
ETM018SW	5×7mm clip, white, Ø1.2mm nail, 20mm nail length	1
ETM019SW	7×10mm clip, white, Ø1.5mm nail, 25mm nail length	1
ETM019S/1W	7×10mm clip, white, Ø1.5mm nail, 30mm nail length	1
ETM257S/1W	8×12mm clip, white, Ø2.0mm nail, 30mm nail length	1
ETM257S/2W	8×12mm clip, white, Ø2mm nail, 35mm nail length	1
ETM257S/3W	8×12mm clip, white, Ø2mm nail, 45mm nail length	1
ETM258SW	10×14mm clip, white, Ø2mm nail, 30mm nail length	1
ETM258S/1W	10×14mm clip, white, Ø2mm nail, 35mm nail length	1
ETM258S/2W	10×14mm clip, white, Ø2mm nail, 45mm nail length	1
ETM259SN/1W	14×20mm clip, white, Ø2.2mm nail, 35mm nail length	1
ETM259SN/1W	14×20mm clip, white, Ø2.2mm nail, 45mm nail length	1

REFERENCE	DESCRIPTION	QTY
ETM260SN/1W	18×22mm clip, white, Ø2.2mm nail, 45mm nail length	1
ETM261SN/1W	22×26mm clip, white, Ø2.2mm nail, 45mm nail length	1
ETM019S/1B	7×10mm clip, black, Ø1.5mm nail, 30mm nail length	1
ETM258S/1B	10×14mm clip, black, Ø2mm nail, 30mm nail length	1
ETM259SN/1B	14×20mm clip, black, Ø2.2mm nail, 35mm nail length	1
ETM259SN/2B	14×20mm clip, black, Ø2.2mm nail, 45mm nail length	1
ETM260SN/1B	18×22mm clip, black, Ø2.2mm nail, 45mm nail length	1
ETM261SN/1B	22×26mm clip, black, Ø2.2mm nail, 45mm nail length	1
ETM020S/1T	3×5mm clip, transparent, Ø1.2mm nail, 16mm nail length	1
ETM020S/2T	3×5mm clip, transparent, Ø1.2mm nail, 20mm nail length	1
ETM256ST	4×6mm clip, transparent, Ø1.2mm nail, 20mm nail length	1
ETM018ST	5×7mm clip, transparent, Ø1.2mm nail, 20mm nail length	1
ETM021SSG	14×17mm clip, grey, Ø2.2mm nail, 40mm nail length	1
ETM021S/1	14×17mm clip, white/black, Ø2.2mm nail, 45mm nail length	1

Cable clips



Steel cable clip with nail (SCC)

STEEL

Colour: white

Certificates: CE

Nail: Electroplated Zinc coated hardened steel

Clip: Electroplated Zinc coated steel, powder coated

Applications: indoor/outdoor, wood/wood fiber boards, cellular concrete

Working temperature: -25°C to 45°C

Installation temperature: 0°C to 25°C

REFERENCE	DESCRIPTION	QTY
ETM252S/1	7×10mm clip, Ø2mm nail, 18mm nail length, install tool ETM290S	100
ETM252S	7×10mm clip, Ø2mm nail, 25mm nail length, install tool ETM290S	100
ETM252S/2	7×10mm clip, Ø2mm nail, 40mm nail length, install tool ETM290S	100
ETM254S/1	8×12mm clip, Ø2mm nail, 18mm nail length, install tool ETM243S	100
ETM254S	8×12mm clip, Ø2mm nail, 25mm nail length, install tool ETM243S	100
ETM254S/2	8×12mm clip, Ø2mm nail, 40mm nail length, install tool ETM243S	100
ETM293S	10×14mm clip, Ø2mm nail, 25mm nail length, install tool ETM291S	100
ETM293S/1	10×14mm clip, Ø2mm nail, 40mm nail length, install tool ETM291S	100
ETM294S	14×20mm clip, Ø2mm nail, 25mm nail length, install tool ETM292S	100
ETM294S/1	14×20mm clip, Ø2mm nail, 40mm nail length, install tool ETM292S	100



Steel cable clip with screw (SCCS)

STEEL

Colour: white

Certificates: CE

Nail: Electroplated Zinc coated hardened steel

Clip: Electroplated Zinc coated steel, powder coated

Applications: indoor/outdoor, wood/wood fiber boards, cellular concrete

Working temperature: -25°C to 45°C

Installation temperature: 0°C to 25°C

REFERENCE	DESCRIPTION	QTY
ETM252S/S	7×10mm clip, Ø2.7mm nail, 25mm nail length, 15mm screw length, install tool ETM290S	100
ETM254S/S	8×12mm clip, Ø2.7mm nail, 25mm nail length, 15mm screw length, install tool ETM243S	100
ETM293S/S	10×14mm clip, Ø2.7mm nail, 25mm nail length, 15mm screw length, install tool ETM291S	100
ETM294S/S	14-20mm clip, Ø2.7mm nail, 25mm nail length, 15mm screw length, install tool ETM292S	100



Tool for SCC/SCCS clips

PP HALOGEN FREE

Colour: blue
 Certificates: CE
 Plastic part: PP, halogen free, UV stable, impact resistant
 Applications: indoor/outdoor
 Suitable for: SCC and SCCS clip installation
 Working temperature: -25°C to 45°C
 Installation temperature: 0°C to 25°C

REFERENCE	DESCRIPTION	QTY
ETM290S	For clips 7×10mm	10
ETM243S	For clips 8×12mm	10
ETM291S	For clips 10×14mm	10
ETM292S	For clips 14×20mm	10



Long cable clips with nail and plug

PP HALOGEN FREE

Colour: transparent white
 Certificates: CE
 Plastic part: UV stable, impact resistant
 Metal part: corrosion class C4, Dacromet coating hardened steel
 Applications: indoor/outdoor, wood/wood, fiber boards (10kg), solid concrete (10kg), cellular concrete (5kg)
 Working temperature: -25°C to 45°C
 Installation temperature: 0°C to 25°C

REFERENCE	DESCRIPTION	QTY
82002000	16×19mm clip size, Ø2.5mm nail, 40mm nail length, Ø5.5mm plug, 23mm plug length, Ø5.5mm for drilling	100
82002100	19×22mm clip size, Ø2.5mm nail, 40mm nail length, Ø5.5mm plug, 23mm plug length, Ø5.5mm for drilling	100

Cable clips



Double long cable clips with nail and plug

PP HALOGEN FREE

Colour: transparent white
 Certificates: CE
 Plastic part: UV stable, impact resistant
 Metal part: corrosion class C4, Dacromet coating hardened steel
 Applications: indoor/outdoor, wood/wood, fiber boards (10kg), solid concrete (10kg), cellular concrete (5kg)
 Working temperature: -25°C to 45°C
 Installation temperature: 0°C to 25°C

REFERENCE	DESCRIPTION	QTY
82002200	16×19mm clip size, Ø2.5mm nail, 40mm nail length, Ø5.5mm plug, 23mm plug length, Ø5.5mm for drilling	100
82002300	19×22mm clip size, Ø2.5mm nail, 40mm nail length, Ø5.5mm plug, 23mm plug length, Ø5.5mm for drilling	100



Plastic cable clip

PP HALOGEN FREE

Colour: white
 Certificates: CE
 Plastic part: PP, halogen free, UV stable, impact resistant
 Applications: indoor/outdoor
 Working temperature: -25°C to 45°C
 Installation temperature: 0°C to 25°C

REFERENCE	DESCRIPTION	QTY
82003100	5×7mm clip, recommended M4 fixing screw or Ø5mm self-tapping screw	100
82003200	7-10mm clip, recommended M5 fixing screw or Ø5mm self-tapping screw	100
82003300	10-14mm clip, recommended M5 fixing screw or Ø5mm self-tapping screw	100
82003400	14-20mm clip, recommended M6 fixing screw or Ø6mm self-tapping screw	100
82003500	20-26mm clip, recommended M6 fixing screw or Ø6mm self-tapping screw	100



Double stainless cable clip

STAINLESS STEEL

CORROSIVITY CLASS C4

Colour: metal

Certificates: CE

Metal: stainless steel, corrosion class C4

Applications: indoor/outdoor

Working temperature: -25°C to 45°C

Installation temperature: 0°C to 25°C

REFERENCE	DESCRIPTION	QTY
82201400	16mm clip size	100
82201500	20mm clip size	100



Single stainless cable clip

STAINLESS STEEL

CORROSIVITY CLASS C4

Colour: metal

Certificates: CE

Metal: stainless steel, corrosion class C4

Applications: indoor/outdoor

Working temperature: -25°C to 45°C

Installation temperature: 0°C to 25°C

REFERENCE	DESCRIPTION	QTY
82201600	6mm clip size	100
82201700	8mm clip size	100
82201000	10mm clip size	100
82201100	12mm clip size	100
82201200	14mm clip size	100
82201300	16mm clip size	100

Corrugated pipes



Our corrugated pipes are engineered for safety, durability, and installation efficiency, making them a reliable choice for both residential and industrial use.

Certified by Intertek Semko and compliant with EN 61386-1 and EN 61386-22 standards, they deliver consistent, high-quality performance across various environments.

Safety is our top priority. Our conduits are halogen-free and self-extinguishing, minimising fire hazards and preventing the release of toxic gases. For outdoor applications, our UV-resistant range, available in black, ensures long-lasting performance, even under prolonged sunlight exposure.

Manufactured in-house on a fully automated extrusion line, our pipes are available in 25 m, 50 m, and 100 m rolls, with flexible packaging options tailored to customer needs. We also offer co-extruded pipes with a smooth inner layer that provides excellent gliding properties, making wire threading faster and easier, especially valuable in complex or time-sensitive installations.

These versatile conduits are suitable for cavity walls, ceilings, concrete casting, or high fire-risk environments.

Whether you're working on a large-scale industrial build or a residential project, our corrugated pipes deliver the safety, reliability, and ease of installation professionals demand.

PRODUCT RANGE



FULL INSTALLATION SYSTEM

Corrugated pipes are fully compatible with our wall and concrete boxes. A wide range of accessories is also available.

Corrugated pipes



Empty corrugated pipes

POLYPROPYLENE (PP)

LSF0H

UP TO 1000N

These empty corrugated pipes are available in six standard diameters: 16, 20, 25, 32, 40 and 50 mm, offering flexible solutions for a wide range of cable protection needs. Designed for both residential and commercial use, these conduits ensure easy installation,

Available colours

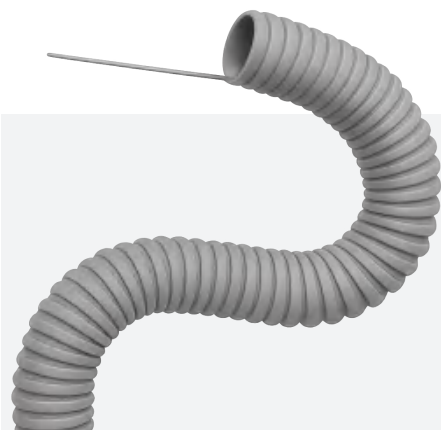
APPLICATIONS

Outdoor	No
Indoor	Yes
Exposed install	Yes
Liquid screed and concrete	Yes
Chased walls and floors	Yes
False ceiling and movable walls	Yes
Prefab and wood panels	Yes

TECHNICAL INFORMATION

Standards	EN 61386-1 and EN 61386-22
Certifications	Intertek Semko, Stockholm
Compression strength	up to 1000 N
Operating temperature	-25°C - +105°C
Material	Polypropylene (PP)
UV resistant	No
Prefab and wood panels	Yes

REFERENCE	DESCRIPTION	DIAMETER	LENGTH	STRENGTH
GL100320	empty	Ø16mm	100m	320N
GL200320	empty	Ø20mm	100m	320N
GL301320	empty	Ø25mm	50m	320N
GL401320	empty	Ø32mm	50m	320N
GL501320	empty	Ø40mm	25m	320N
GL601320	empty	Ø50mm	25m	320N
GL100	empty	Ø16mm	100m	750N
GL101	empty	Ø16mm	50m	750N
GL102	empty	Ø16mm	25m	750N
GL200	empty	Ø20mm	100m	750N
GL201	empty	Ø20mm	50m	750N
GL202	empty	Ø20mm	25m	750N
GL302	empty	Ø25mm	100m	750N
GL301	empty	Ø25mm	50m	750N
GL401	empty	Ø32mm	50m	750N
GL502	empty	Ø40mm	50m	750N
GL501	empty	Ø40mm	25m	750N
GL601	empty	Ø50mm	50m	750N



Corrugated pipes with wire puller

POLYPROPYLENE (PP)

LSFOH

UP TO 1000N

Corrugated pipes with an integrated steel wire puller make wire installation quick and hassle free. Available in 16 to 50 mm diameters and standard colours including red, blue, grey and black, with custom colours available on request. The black version also offers UV resistance for outdoor use.

Available colours

APPLICATIONS

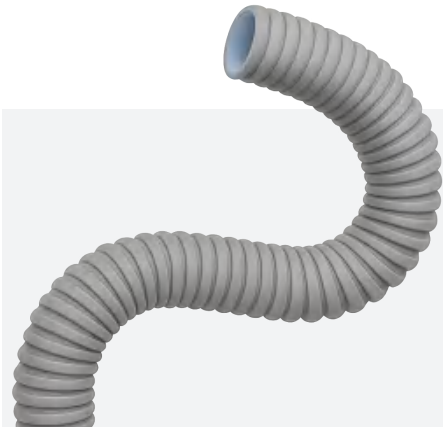
Outdoor	No
Indoor	Yes
Exposed install	Yes
Liquid screed and concrete	Yes
Chased walls and floors	Yes
False ceiling and movable walls	Yes
Prefab and wood panels	Yes

TECHNICAL INFORMATION

Standards	EN 61386-1 and EN 61386-22
Certifications	Intertek Semko, Stockholm
Compression strength	up to 1000 N
Operating temperature	-25°C - +105°C
Material	Polypropylene (PP)
UV resistant	No
Prefab and wood panels	Yes

REFERENCE	DESCRIPTION	DIAMETER	LENGTH	STRENGTH
GL100W320	steel wire puller	Ø16mm	100m	320N
GL200W320	steel wire puller	Ø20mm	100m	320N
GL301W320	steel wire puller	Ø25mm	50m	320N
GL401W320	steel wire puller	Ø32mm	50m	320N
GL501W320	steel wire puller	Ø40mm	25m	320N
GL601W320	steel wire puller	Ø50mm	25m	320N
GL100W	steel wire puller	Ø16mm	100m	750N
GL101W	steel wire puller	Ø16mm	50m	750N
GL200W	steel wire puller	Ø20mm	100m	750N
GL201W	steel wire puller	Ø20mm	50m	750N
GL300W	steel wire puller	Ø25mm	100m	750N
GL301W	steel wire puller	Ø25mm	50m	750N
GL401W	steel wire puller	Ø32mm	50m	750N
GL402W	steel wire puller	Ø32mm	25m	750N
GL502W	steel wire puller	Ø40mm	50m	750N
GL501W	steel wire puller	Ø40mm	25m	750N
GL602W	steel wire puller	Ø50mm	50m	750N
GL601W	steel wire puller	Ø50mm	25m	750N

Corrugated pipes



Low friction corrugated pipes

POLYPROPYLENE (PP)

LSF0H

UP TO 1000N

Our co-extruded corrugated pipes feature a smoother inner layer for low friction, making cable pulling faster and easier. Available in 16 and 20 mm diameters in grey, black (UV resistant), blue and red, they're ideal for efficient and faster installations.

Available colours

APPLICATIONS

Outdoor	No
Indoor	Yes
Exposed install	Yes
Liquid screed and concrete	Yes
Chased walls and floors	Yes
False ceiling and movable walls	Yes
Prefab and wood panels	Yes

TECHNICAL INFORMATION

Standards	EN 61386-1 and EN 61386-22
Certifications	Intertek Semko, Stockholm
Compression strength	up to 1000 N
Operating temperature	-25°C - +105°C
Material	Polypropylene (PP)
UV resistant	No
Prefab and wood panels	Yes

REFERENCE	DESCRIPTION	DIAMETER	LENGTH	STRENGTH
GL100LF	empty, low friction	Ø16mm	100m	750N
GL200LF	empty, low friction	Ø20mm	100m	750N



UV resistant corrugated pipe

POLYPROPYLENE (PP)

LSFOH

UP TO 1000N

Designed for outdoor use, our UV resistant corrugated pipes offer reliable protection against prolonged sun exposure. Available in various diameters and strength, these durable black conduits ensure long lasting performance and safety for external electrical installations in demanding environments.

Available colours ■

APPLICATIONS

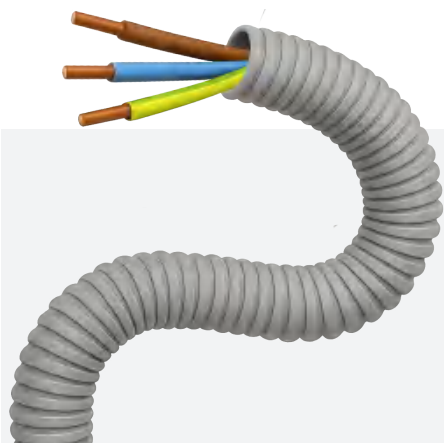
Outdoor	Yes
Indoor	Yes
Exposed install	Yes
Liquid screed and concrete	Yes
Chased walls and floors	Yes
False ceiling and movable walls	Yes
Prefab and wood panels	Yes

TECHNICAL INFORMATION

Standards	EN 61386-1 and EN 61386-22
Certifications	Intertek Semko, Stockholm
Compression strength	up to 1000 N
Operating temperature	-25°C - +105°C
Material	Polypropylene (PP)
UV resistant	Yes
Prefab and wood panels	Yes

REFERENCE	DESCRIPTION	DIAMETER	LENGTH	STRENGTH
GL100UV320	empty	Ø16mm	100m	320N
GL200UV320	empty	Ø20mm	100m	320N
GL301UV320	empty	Ø25mm	50m	320N
GL401UV320	empty	Ø32mm	50m	320N
GL501UV320	empty	Ø40mm	25m	320N
GL601UV320	empty	Ø50mm	25m	320N
GL100UVW320	with wire puller	Ø16mm	100m	320N
GL200UVW320	with wire puller	Ø20mm	100m	320N
GL301UVW320	with wire puller	Ø25mm	50m	320N
GL401UVW320	with wire puller	Ø32mm	50m	320N
GL501UVW320	with wire puller	Ø40mm	25m	320N
GL601UVW320	with wire puller	Ø50mm	25m	320N
GL100UV	empty	Ø16mm	100m	750N
GL200UV	empty	Ø20mm	100m	750N

Corrugated pipes



Prewired corrugated pipe

POLYPROPYLENE (PP)

LSFOH

UP TO 1000N

Prewired corrugated pipes with 16 and 20 mm diameters come loaded with cables to speed up installation. Available in standard grey, black, blue and red, with bespoke colours on request. Ideal for saving time on site in residential or commercial projects.

Available colours

APPLICATIONS

Outdoor	No
Indoor	Yes
Exposed install	Yes
Liquid screed and concrete	Yes
Chased walls and floors	Yes
False ceiling and movable walls	Yes
Prefab and wood panels	Yes

TECHNICAL INFORMATION

Standards	EN 61386-1 and EN 61386-22
Certifications	Intertek Semko, Stockholm
Compression strength	up to 1000 N
Operating temperature	-25°C - +105°C
Material	Polypropylene (PP)
UV resistant	No
Prefab and wood panels	Yes

REFERENCE	DESCRIPTION	DIAMETER	LENGTH	STRENGTH
GL111HF	3xH07Z1-R 1,5mm ² , halogen free	Ø16mm	100m	750N
GL111HFG25	3xH07Z1-R 1,5mm ² , halogen free	Ø16mm	25m	750N
GL111HFG50	3xH07Z1-R 1,5mm ² , halogen free	Ø16mm	50m	750N
GL111HFTW	3xH07Z1-R 1,5mm ² , halogen free, twin	Ø16mm	100m	750N
GL111P	3xH07V-R 1,5mm ² , PVC	Ø16mm	100m	750N
GL111PTW	3xH07V-R 1,5mm ² , PVC, twin	Ø16mm	100m	750N
GL112HF	4xH07Z1-R 1,5mm ² , halogen free	Ø16mm	100m	750N
GL112HFTW	4xH07Z1-R 1,5mm ² , halogen free, twin	Ø16mm	100m	750N
GL112P	4xH07V-R 1,5mm ² , PVC	Ø16mm	100m	750N
GL112PTW	4xH07V-R 1,5mm ² , PVC, twin	Ø16mm	100m	750N
GL113HF	5xH07Z1-R 1,5mm ² , halogen free	Ø16mm	100m	750N
GL113HFTW	5xH07Z1-R 1,5mm ² , halogen free, twin	Ø16mm	100m	750N
GL113P	5xH07V-R 1,5mm ² , PVC	Ø16mm	100m	750N
GL113PTW	5xH07V-R 1,5mm ² , PVC, twin	Ø16mm	100m	750N
GL114HF	3xH07Z1-R 2,5mm ² , halogen free	Ø16mm	100m	750N
GL114P	3xH07V-R 2,5mm ² , PVC	Ø16mm	100m	750N
GL115P	4xH07V-R 2,5mm ² , PVC	Ø16mm	100m	750N
GL116P	1xH07V-R 6mm ² , PVC	Ø16mm	100m	750N
GL121HF	3xH07Z1-U 1,5mm ² , halogen free	Ø16mm	100m	750N
GL121HFG25	3xH07Z1-R 2,5mm ² , halogen free	Ø16mm	100m	750N
GL121HFG50	3xH07Z1-R 2,5mm ² , halogen free	Ø16mm	100m	750N
GL121HFTW	3xH07Z1-U 1,5mm ² , halogen free, twin	Ø16mm	100m	750N
GL121P	3xH07V-U 1,5mm ² , PVC	Ø16mm	100m	750N

Product list cont.

REFERENCE	DESCRIPTION	DIAMETER	LENGTH	STRENGTH
GL122HF	5xH07Z1-U 1,5mm ² , halogen free	Ø16mm	100m	750N
GL122HFTW	5xH07Z1-U 1,5mm ² , halogen free, twin	Ø16mm	25m	750N
GL122P	5xH07V-U 1,5mm ² , PVC	Ø16mm	50m	750N
GL123P	3xH07V-U 2,5mm ² , PVC	Ø16mm	100m	750N
GL131TP	TP90	Ø16mm	100m	750N
GL132PR	PR 2×1,5mm ²	Ø16mm	100m	750N
GL133PR	PR 2×2,5mm ²	Ø16mm	100m	750N
GL134HF	CAT6 U/UTP, halogen free	Ø16mm	100m	750N
GL134P	CAT6 U/UTP	Ø16mm	100m	750N
GL135HF	LS 2×2,5 mm ² , halogen free	Ø16mm	100m	750N
GL136HF	ELQYB 2×1, halogen free	Ø16mm	100m	750N
GL137HF	KNX/EIB 2×2×0,8, halogen free	Ø16mm	100m	750N
GL138HF	LQXB 2×2×0,5, halogen free	Ø16mm	100m	750N
GL139HF	ELQXB 4×2×0,5, halogen free	Ø16mm	100m	750N
GL140HF	RQUB 2×0,75, halogen free	Ø16mm	100m	750N
GL211P	7xH07V-R 1,5mm ² , PVC	Ø20mm	100m	750N
GL212HF	7xH07Z1-R 1,5mm ² , halogen free	Ø20mm	100m	750N
GL212HFTW	5xH07Z1-R 2,5mm ² , halogen free, twin	Ø20mm	100m	750N
GL212P	3xH07V-R 2,5mm ² , PVC	Ø20mm	100m	750N
GL213P	3xH07V-R 4mm ² , PVC	Ø20mm	100m	750N
GL214P	3xH07V-R 6mm ² , PVC	Ø20mm	100m	750N
GL221P	3xH07V-U 1,5mm ² , PVC	Ø20mm	100m	750N
GL222P	5xH07V-U 1,5mm ² , PVC	Ø20mm	100m	750N
GL223P	3xH07V-U 2,5mm ² , PVC	Ø20mm	100m	750N
GL224HF	5xH07Z1-R 2,5mm ² , halogen free	Ø20mm	100m	750N
GL224P	5xH07V-U 2,5mm ² , PVC	Ø20mm	100m	750N
GL231P	2xCAT6 U/UTP	Ø20mm	100m	750N
GL232HF	2xCAT6 U/UTP, halogen free	Ø20mm	100m	750N
GL233P	2xCAT6 U/UTP+ COAX	Ø20mm	100m	750N

Corrugated pipes



UV resistant prewired corrugated pipes

POLYPROPYLENE (PP)

LSF0H

UP TO 1000N

Our UV resistant prewired corrugated pipes are designed for outdoor installations, available in black with 16 and 20 mm diameters. Prewired with 2xH1Z2Z2-K 4mm² or 6mm² cables, they offer a durable, time-saving solution for solar and external electrical applications.

Available colours ■

APPLICATIONS

Outdoor	Yes
Indoor	Yes
Exposed install	Yes
Liquid screed and concrete	Yes
Chased walls and floors	Yes
False ceiling and movable walls	Yes
Prefab and wood panels	Yes

TECHNICAL INFORMATION

Standards	EN 61386-1 and EN 61386-22
Certifications	Intertek Semko, Stockholm
Compression strength	up to 1000 N
Operating temperature	-25°C - +105°C
Material	Polypropylene (PP)
UV resistant	Yes
Prefab and wood panels	Yes

REFERENCE	DESCRIPTION	DIAMETER	LENGTH	STRENGTH
GL140HFPVUV100	1xH1Z2Z2-K 4mm ² , halogen free	Ø16mm	100m	750N
GL160HFPVUV100	1xH1Z2Z2-K 6mm ² , halogen free	Ø16mm	100m	750N
GL241HFPVUV100	2xH1Z2Z2-K 4mm ² , halogen free	Ø20mm	100m	750N
GL261HFPVUV100	2xH1Z2Z2-K 6mm ² , halogen free	Ø20mm	100m	750N

Accessories



Ø4mm cable puller

ETM532S

ETM533S

NYLON

Colour: white

Certificates: CE

Conforms with: RoHS

Complies with the standards: IEC 60670-1

Fire hazard test: 850°C (IEC60695-2-11)

Working temperature: -25°C to +60°C;

Installation temperature: -5°C to +25°C

Lightweight and durable, this 4mm nylon cable puller is perfect for effortlessly guiding wires through corrugated or standard installation pipes. Flexible yet strong, it's the go-to tool for smooth cable installations in tight or tricky spaces.

REFERENCE	DESCRIPTION	LENGTH
ETM532S	cable puller, nylon, Ø4mm	15m
ETM533S	cable puller, nylon, Ø4mm	25m



Pipe connectors with locking clip

PVC

Colour: white

Certificates: CE

Conforms with: RoHS

Complies with the standards: IEC 60670-1

Fire hazard test: 850°C (IEC60695-2-11)

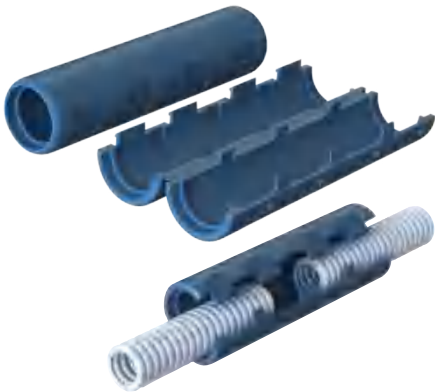
Working temperature: -25°C to +60°C;

Installation temperature: -5°C to +25°C

This versatile pipe connector ensures a secure and reliable joins for straight and corrugated pipes. Built-in locking clips keep pipes firmly in place, preventing slippage. Available in 16mm, 20mm, 25mm, 32mm, 40mm, and 50mm diameters for various installations.

REFERENCE	DESCRIPTION	QTY
ETM237S	Ø16mm, with locker	1
ETM238S	Ø20mm, with locker	1
ETM655S	Ø25mm, with locker	1
ETM656S	Ø32mm, with locker	1
ETM657S	Ø40mm, with locker	1
ETM658S	Ø50mm, with locker	1

Accessories



Splitable pipe connector

PLASTIC

Colour: blue
 Certificates: CE
 Conforms with: RoHS
 Complies with the standards: IEC 60670-1
 Fire hazard test: 850°C (IEC60695-2-11)
 Working temperature: -25°C to +60°C;
 Installation temperature: -5°C to +25°C

This split corrugated pipe connector is the perfect fix for post-installation pipe repairs or joins. Ideal for reconnecting pulled or cracked pipes, it seamlessly joins two sections without needing to re-thread. Fast, secure, and hassle-free. Comes in two options for 16mm and 20mm corrugated pipes.

REFERENCE	DESCRIPTION	QTY
ETM550S	splitable connection piece for repairing Ø16mm corrugated pipes with cables inside	300
ETM551S	splitable connection piece for repairing Ø20mm corrugated pipes with cables inside	300



Splitable pipe adaptor

PLASTIC

Colour: blue
 Certificates: CE
 Conforms with: RoHS
 Complies with the standards: IEC 60670-1
 Fire hazard test: 850°C (IEC60695-2-11)
 Working temperature: -25°C to +60°C;
 Installation temperature: -5°C to +25°C

This splittable pipe adaptor is the perfect solution for increasing corrugated pipe size from Ø16mm to Ø20mm. Ideal for upgrades or modifications, it easily snaps around existing pipes - no need to disconnect. It offers a fast, secure, and hassle-free transition.

REFERENCE	DESCRIPTION	QTY
ETM554S	splitable adapter from Ø16mm to Ø20mm corrugated pipes	300



Pipe connectors for fuse box with locking clip

PLASTIC

Colour: white
 Certificates: CE
 Conforms with: RoHS
 Complies with the standards: IEC 60670-1
 Fire hazard test: 850°C (IEC60695-2-11)
 Working temperature: -25°C to +60°C;
 Installation temperature: -5°C to +25°C

REFERENCE	DESCRIPTION	QTY
ETM235S	for Ø16mm pipe, with locker	750
ETM236S	for Ø20mm pipe, with locker	500
ETM651S	for Ø25mm pipe, with locker	500
ETM652S	for Ø32mm pipe, with locker	200
ETM653S	for Ø40mm pipe, with locker	120
ETM654S	for Ø50mm pipe, with locker	100



Pipe connectors for fuse box with locking clip

ETM653S-1 PLASTIC

Colour: white
 Certificates: CE
 Conforms with: RoHS
 Complies with the standards: IEC 60670-1
 Fire hazard test: 850°C (IEC60695-2-11)
 Working temperature: -25°C to +60°C;
 Installation temperature: -5°C to +25°C

REFERENCE	DESCRIPTION	QTY
ETM653S-1	for Ø40mm pipe, with locker, for 50mm hole recess in the cabinet	120

Accessories



5-in-1 pipe connectors for fuse box with locking clip

PVC

Colour: white
 Certificates: CE
 Conforms with: RoHS
 Complies with the standards: IEC 60670-1
 Fire hazard test: 850°C (IEC60695-2-11)
 Working temperature: -25°C to +60°C;
 Installation temperature: -5°C to +25°C

The cabinet sleeve combi is a secure and versatile fuse box and pipe connector designed for 50mm holes in cabinets. It features 2×16mm and 3×16/20mm inlets, providing ample room for multiple pipe configurations. Threaded from the outside and locked in place with an internal nut.

REFERENCE	DESCRIPTION	QTY
ETM654S-1	fitting for 50mm holes in cabinets and with 2×16mm+3×16/20mm inlets	210



4-in-1 pipe connectors for fuse box with locking clip

PLASTIC

Colour: white
 Certificates: CE
 Conforms with: RoHS
 Complies with the standards: IEC 60670-1
 Fire hazard test: 850°C (IEC60695-2-11)
 Working temperature: -25°C to +60°C;
 Installation temperature: -5°C to +25°C

The cabinet sleeve combi is a compact and reliable connector designed for 40mm holes in cabinets. It accommodates up to 4×16/20mm pipes, making it ideal for multi-pipe setups. Threaded from the outside and secured with an internal nut, it stays firmly in place.

REFERENCE	DESCRIPTION	QTY
ETM653S-2	suitable 4xØ16/20mm conduit and 40mm cut out on cabinet	210



Clips for 16mm corrugated pipe

ETM659S

PP

HALOGEN FREE

Colour: white

Certificates: CE

Conforms with: RoHS

Complies with the standards: IEC 60670-1

Fire hazard test: 850°C (IEC60695-2-11)

Working temperature: -25°C to +60°C;

Installation temperature: -5°C to +25°C

Stop 16mm corrugated pipes from moving with this clip by putting it on both ends of the pipe, going through the stud. Designed for quick installation and a firm hold, it ensures tidy cable management in electrical setups.

REFERENCE	DESCRIPTION	QTY
ETM569S	for Ø16mm pipe	50



Strain relief for corrugated pipes

ETM559S

PP

HALOGEN FREE

Colour: blue

Certificates: CE

Conforms with: RoHS

Complies with the standards: IEC 60670-1

Fire hazard test: 850°C (IEC60695-2-11)

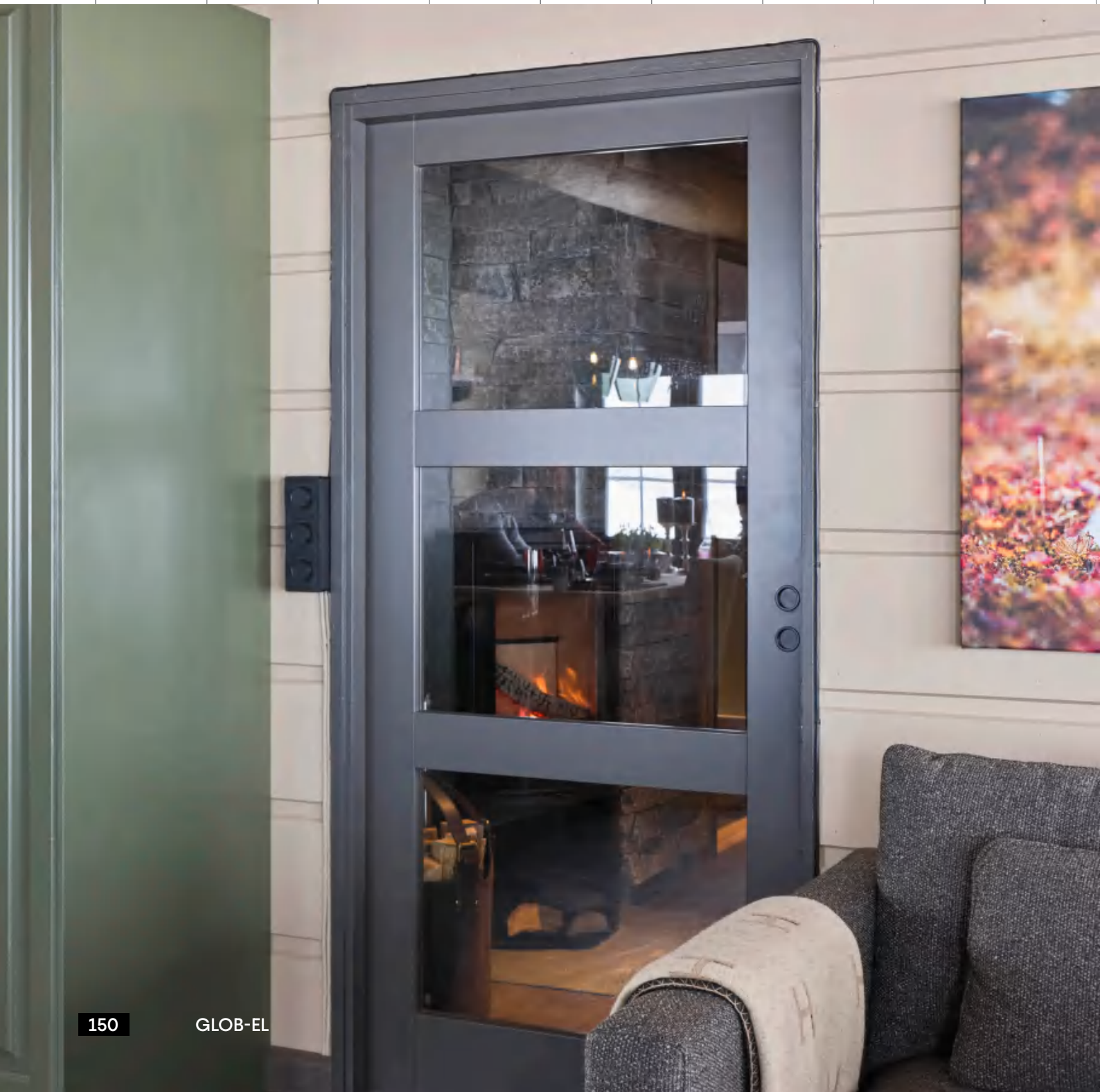
Working temperature: -25°C to +60°C;

Installation temperature: -5°C to +25°C

This strain relief fitting secures 16mm corrugated pipes in wall box knock-out inlets, preventing slippage over time. Its robust grip ensures long-term stability, protecting cable integrity and maintaining a clean, professional installation.

REFERENCE	DESCRIPTION	QTY
ETM559S	strain relief for 16mm corrugated pipes, fits into knock-out inlets of wall boxes	50

Surface-mounted boxes



Our surface-mounted box range offers versatile solutions for walls, floors, ceilings, and corner installations, making it ideal for both residential and commercial applications.

Whether you're routing power across open walls or adding connections in tight spaces, this system provides a neat and practical setup.

The range includes robust junction boxes and compatible covers, designed to ensure secure and reliable electrical connections.

For wall applications, choose from our two main series: Series P and Series X. Each is engineered to match sockets, dimmers, and switches from the

same range, ensuring a seamless fit and cohesive look throughout your installation.

For more demanding environments, our junction box selection includes indoor and IP65-rated outdoor options, offering protection against dust and water ingress. This makes them suitable for both indoor wiring and exposed outdoor areas where durability is a must.

With flexible mounting options and a clean, modern design, our surface-mounted boxes deliver both function and visual appeal, no matter the installation scenario.

PRODUCT RANGE



COMPATIBLE WITH EXISTING RANGES

Seamless integration with matching Series P and Series X dimmers, switches and sockets for a clean, unified finish.

Series X range



Series X single wall box

ETM239X IP20 PC HALOGEN FREE

Colour: matte white, matte black
 The product complies with the standard(s): EN 60670-1
 Fire hazard test: 850°C (IEC60695-2-11)
 ISO certifications: ISO 9001, ISO 14001, ISO 45001
 Certificates: CE, Semko
 Conforms with: LVD, RoHS, WEEE
 Working temperature: -25°C to +60°C
 Installation temperature: -5°C to +25°C

Wall-mounted single box for post-construction installation of electrical accessories on upholstered walls. Features 71 mm fixing centres, 60 mm M3 screw spacing, and IP20 rating.

REFERENCE	PACKAGING OPTIONS	
ETM239X	1PCS	212PCS

Series X double wall box

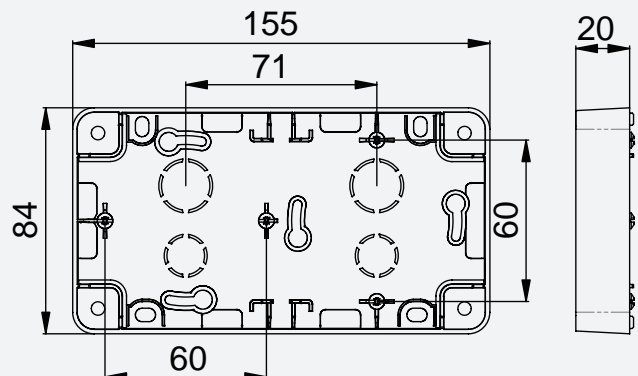
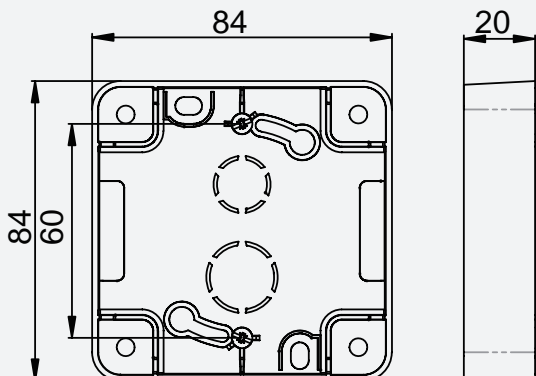
ETM430X IP20 PC HALOGEN FREE

Colour: matte white, matte black
 The product complies with the standard(s): EN 60670-1
 Fire hazard test: 850°C (IEC60695-2-11)
 ISO certifications: ISO 9001, ISO 14001, ISO 45001
 Certificates: CE, Semko
 Conforms with: LVD, RoHS, WEEE
 Working temperature: -25°C to +60°C
 Installation temperature: -5°C to +25°C

Wall-mounted double box for post-construction installation of electrical accessories on upholstered walls. Features 71 mm fixing centres, 60 mm M3 screw spacing, and IP20 rating. Compatible with ETM437P partition and flush wall boxes via dedicated holes.

REFERENCE	PACKAGING OPTIONS	
ETM430X	1PCS	120PCS

Technical drawings





Series X single wall box

ETM240X **IP20** **PC** **HALOGEN FREE**

Colour: matte white, matte black
 The product complies with the standard(s): EN 60670-1
 Fire hazard test: 850°C (IEC60695-2-11)
 ISO certifications: ISO 9001, ISO 14001, ISO 45001
 Certificates: CE, Semko
 Conforms with: LVD, RoHS, WEEE
 Working temperature: -25°C to +60°C
 Installation temperature: -5°C to +25°C

Wall-mounted single box for post-construction installation of electrical accessories on upholstered walls. Features 71 mm fixing centres, 60 mm M3 screw spacing, and IP20 rating.

REFERENCE	PACKAGING OPTIONS	
ETM240X	1PCS	112PCS



Series X double wall box

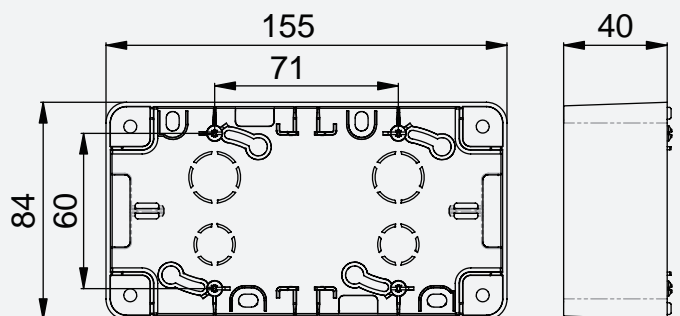
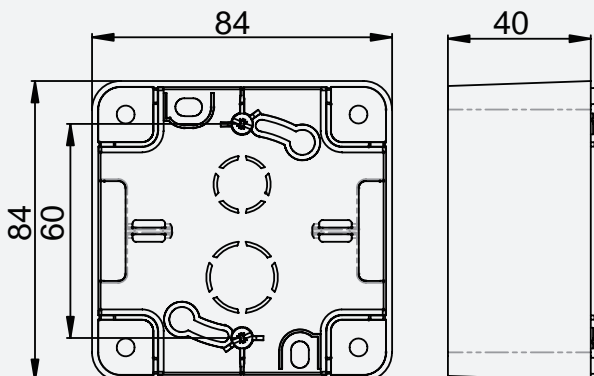
ETM429X **IP20** **PC** **HALOGEN FREE**

Colour: matte white, matte black
 The product complies with the standard(s): EN 60670-1
 Fire hazard test: 850°C (IEC60695-2-11)
 ISO certifications: ISO 9001, ISO 14001, ISO 45001
 Certificates: CE, Semko
 Conforms with: LVD, RoHS, WEEE
 Working temperature: -25°C to +60°C
 Installation temperature: -5°C to +25°C

Wall-mounted double box for post-construction installation of electrical accessories on upholstered walls. Features 71 mm fixing centres, 60 mm M3 screw spacing, and IP20 rating. Compatible with ETM437P partition and flush wall boxes via dedicated holes.

REFERENCE	PACKAGING OPTIONS	
ETM429X	1PCS	64PCS

Technical drawings



Series X range



Series X triple wall box

ETM409X **IP20** **PC** **HALOGEN FREE**

Colour: matte white, matte black
 The product complies with the standard(s): EN 60670-1
 Fire hazard test: 850°C (IEC60695-2-11)
 ISO certifications: ISO 9001, ISO 14001, ISO 45001
 Certificates: CE, Semko
 Conforms with: LVD, RoHS, WEEE
 Working temperature: -25°C to +60°C
 Installation temperature: -5°C to +25°C

Wall-mounted triple box for post-construction installation of electrical accessories on upholstered walls. Features 71 mm fixing centres, 60 mm M3 screw spacing, and IP20 rating. Compatible with ETM437P partition and flush wall boxes via dedicated holes.

REFERENCE	PACKAGING OPTIONS	
ETM409X	1PCS	40PCS



Series X double corner wall box

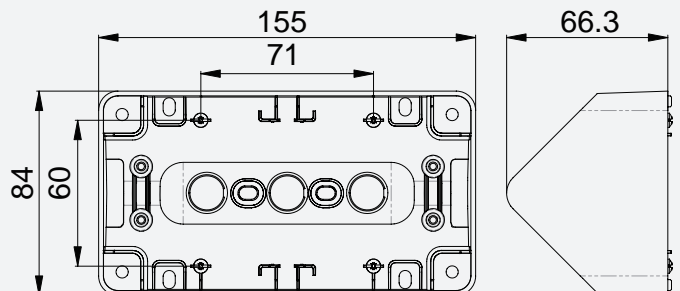
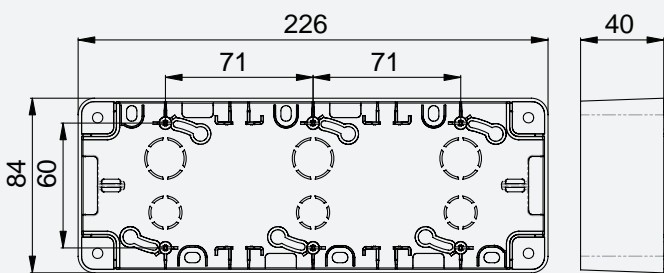
ETM402X **IP20** **PC** **HALOGEN FREE**

Colour: matte white, matte black
 The product complies with the standard(s): EN 60670-1
 Fire hazard test: 850°C (IEC60695-2-11)
 ISO certifications: ISO 9001, ISO 14001, ISO 45001
 Certificates: CE, Semko
 Conforms with: LVD, RoHS, WEEE
 Working temperature: -25°C to +60°C
 Installation temperature: -5°C to +25°C

Corner wall-mounted box for installing electrical accessories on finished upholstered walls. Features 60 mm fixing centre with M3 screws, 71 mm distance between centres, and integrated strain relief or cable tie construction. Compatible with ETM437P partition for power-data separation.

REFERENCE	PACKAGING OPTIONS	
ETM402X	1PCS	48PCS

Technical drawings





Series X corner wall box

ETM830X

IP20

PC

HALOGEN FREE

Colour: matte white, matte black
 The product complies with the standard(s): EN 60670-1
 Fire hazard test: 850°C (IEC60695-2-11)
 ISO certifications: ISO 9001, ISO 14001, ISO 45001
 Certificates: CE, Semko
 Conforms with: LVD, RoHS, WEEE
 Working temperature: -25°C to +60°C
 Installation temperature: -5°C to +25°C

Corner wall-mounted box for installing electrical accessories on finished upholstered walls. Features 60 mm fixing centre with M3 screws, 71 mm distance between centres, and integrated strain relief or cable tie construction. Compatible with ETM437P partition for power-data separation.

REFERENCE	PACKAGING OPTIONS	
ETM830X	1PCS	63PCS



Series X wall box for double sockets

ETM431X

IP20

PC

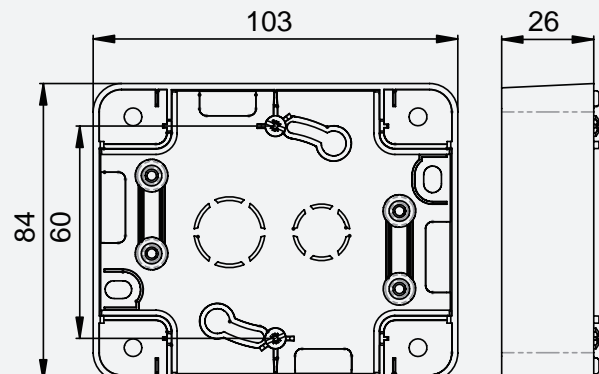
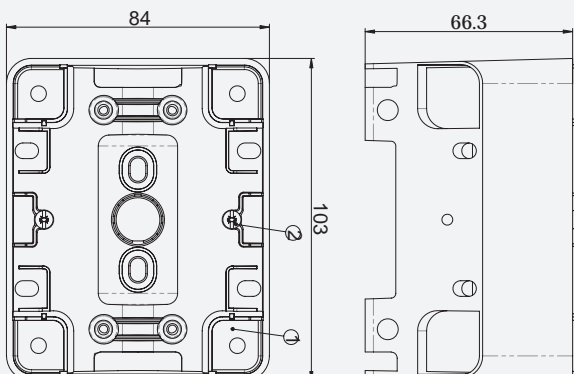
HALOGEN FREE

Colour: matte white, matte black
 The product complies with the standard(s): EN 60670-1
 Fire hazard test: 850°C (IEC60695-2-11)
 ISO certifications: ISO 9001, ISO 14001, ISO 45001
 Certificates: CE, Semko
 Conforms with: LVD, RoHS, WEEE
 Working temperature: -25°C to +60°C
 Installation temperature: -5°C to +25°C

Wall-mounted box for post-construction installation of electrical accessories on upholstered walls. Features 71 mm fixing centres, 60 mm M3 screw spacing, and IP20 rating. Compatible with ETM437P partition and flush wall boxes via dedicated holes. Suitable for ETM022XQ & ETM022XQF sockets.

REFERENCE	PACKAGING OPTIONS	
ETM431X	1PCS	120PCS

Technical drawings



Series X range



Series X wall box

ETM431X-1 **IP20** **PC** **HALOGEN FREE**

Colour: matte white, matte black
 The product complies with the standard(s): EN 60670-1
 Fire hazard test: 850°C (IEC60695-2-11)
 ISO certifications: ISO 9001, ISO 14001, ISO 45001
 Certificates: CE, Semko
 Conforms with: LVD, RoHS, WEEE
 Working temperature: -25°C to +60°C
 Installation temperature: -5°C to +25°C

Wall-mounted box for post-construction installation of electrical accessories on upholstered walls. Features 71 mm fixing centres, 60 mm M3 screw spacing, and IP20 rating. Compatible with ETM437P partition and flush wall boxes via dedicated holes.

REFERENCE	PACKAGING OPTIONS	
ETM431X-1	1PCS	120PCS



Series X wall box

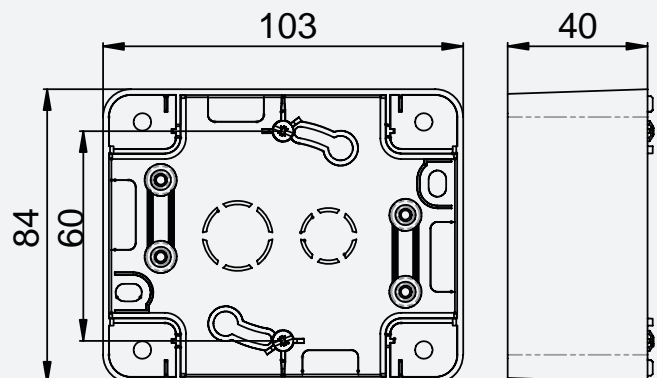
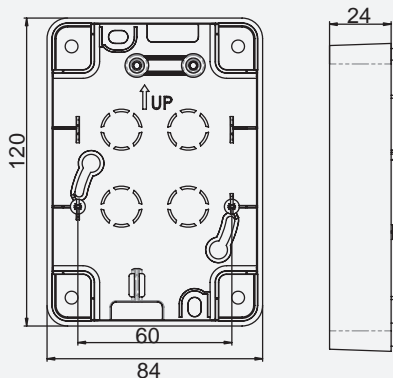
ETM425X **IP20** **PC** **HALOGEN FREE**

Colour: matte white, matte black
 The product complies with the standard(s): EN 60670-1
 Fire hazard test: 850°C (IEC60695-2-11)
 ISO certifications: ISO 9001, ISO 14001, ISO 45001
 Certificates: CE, Semko
 Conforms with: LVD, RoHS, WEEE
 Working temperature: -25°C to +60°C
 Installation temperature: -5°C to +25°C

Corner wall-mounted box for installing electrical accessories on finished upholstered walls. Features 60 mm fixing centre with M3 screws, 71 mm distance between centres, and integrated strain relief or cable tie construction. Compatible with ETM437P partition for power-data separation.

REFERENCE	PACKAGING OPTIONS	
ETM425X	1PCS	84PCS

Technical drawings





Series X wall box

ETM426X **IP20** **PC** **HALOGEN FREE**

Colour: matte white, matte black
 The product complies with the standard(s): EN 60670-1
 Fire hazard test: 850°C (IEC60695-2-11)
 ISO certifications: ISO 9001, ISO 14001, ISO 45001
 Certificates: CE, Semko
 Conforms with: LVD, RoHS, WEEE
 Working temperature: -25°C to +60°C
 Installation temperature: -5°C to +25°C

Corner wall-mounted box for installing electrical accessories on finished upholstered walls. Features 60 mm fixing centre with M3 screws, 71 mm distance between centres, and integrated strain relief or cable tie construction. Compatible with ETM437P partition for power-data separation.

REFERENCE	PACKAGING OPTIONS	
ETM426X	1PCS	48PCS



Series X wall box

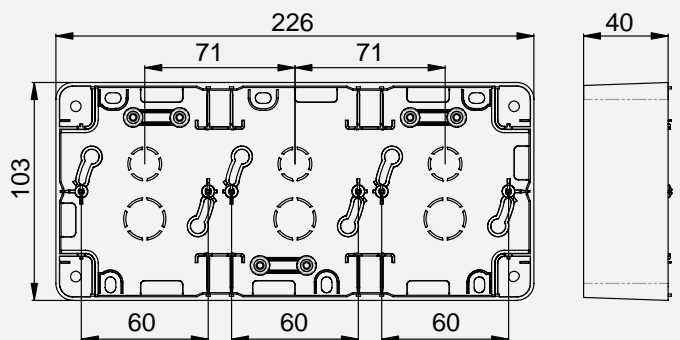
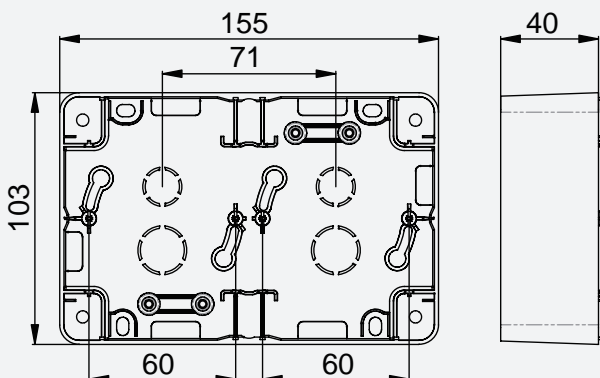
ETM427X **IP20** **PC** **HALOGEN FREE**

Colour: matte white, matte black
 The product complies with the standard(s): EN 60670-1
 Fire hazard test: 850°C (IEC60695-2-11)
 ISO certifications: ISO 9001, ISO 14001, ISO 45001
 Certificates: CE, Semko
 Conforms with: LVD, RoHS, WEEE
 Working temperature: -25°C to +60°C
 Installation temperature: -5°C to +25°C

Wall-mounted box for post-construction installation of electrical accessories on upholstered walls. Features 71 mm fixing centres, 60 mm M3 screw spacing, and IP20 rating. Compatible with ETM437P partition and flush wall boxes via dedicated holes.

REFERENCE	PACKAGING OPTIONS	
ETM427X	1PCS	30PCS

Technical drawings





Series X wall box

ETM444X **IP20** **PC** **HALOGEN FREE**

Colour: matte white, matte black
 The product complies with the standard(s): EN 60670-1
 Fire hazard test: 850°C (IEC60695-2-11)
 ISO certifications: ISO 9001, ISO 14001, ISO 45001
 Certificates: CE, Semko
 Conforms with: LVD, RoHS, WEEE
 Working temperature: -25°C to +60°C
 Installation temperature: -5°C to +25°C

Wall-mounted box for post-construction installation of electrical accessories on upholstered walls. Features 71 mm fixing centres, 60 mm M3 screw spacing, and IP20 rating. Compatible with ETM437P partition and flush wall boxes via dedicated holes.

REFERENCE	PACKAGING OPTIONS	
ETM444X	1PCS	27PCS



Series X junction box

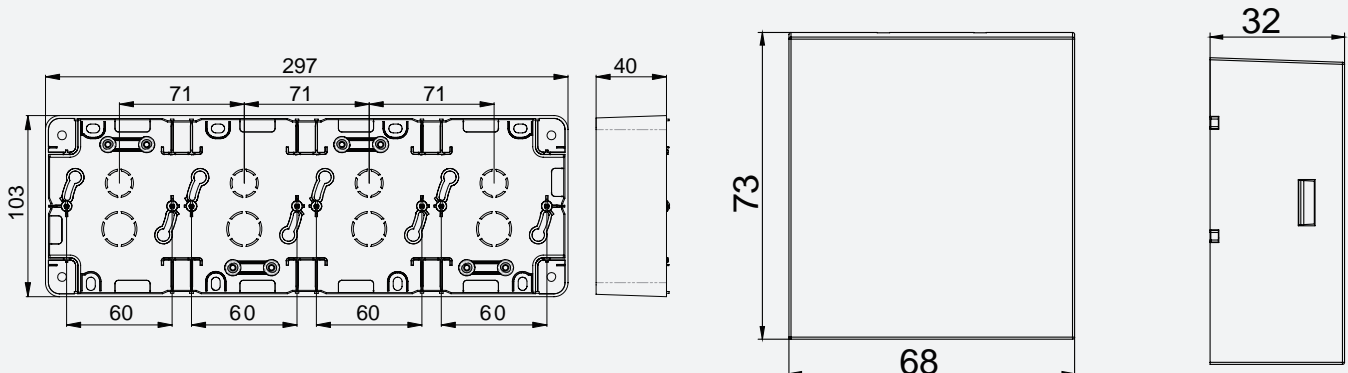
ETM433X **IP20** **PC** **HALOGEN FREE**

Colour: matte white, matte black
 The product complies with the standard(s): EN 60670-1
 Fire hazard test: 850°C (IEC60695-2-11)
 ISO certifications: ISO 9001, ISO 14001, ISO 45001
 Certificates: CE, Semko
 Conforms with: LVD, RoHS, WEEE
 Working temperature: -25°C to +60°C
 Installation temperature: -5°C to +25°C

Junction box for use below 2S surface frames, hiding pipes or cables from floor or corner. Same width as 2S frame, gap-free side-by-side mounting. Includes 2 knock-outs top/bottom and 60mm screw center distance (ST2.9mm).

REFERENCE	PACKAGING OPTIONS	
ETM433X	1PCS	144PCS

Technical drawings



Series P range



Series P single wall box without conduit entry

ETM239P IP20 PC HALOGEN FREE

Colour: white
 The product complies with the standard(s): EN 60670-1
 Fire hazard test: 850°C (IEC60695-2-11)
 ISO certifications: ISO 9001, ISO 14001, ISO 45001
 Certificates: CE
 Conforms with: LVD, RoHS, WEEE
 Working temperature: -25°C to +60°C
 Installation temperature: -5°C to +25°C

Wall-mounted box with 20mm depth is suitable for installing switches or sockets on finished upholstered walls. Features 60 mm fixing centre with M3 screws. Compatible with Series P range sockets and switches. The box features knock-out holes for wiring.

REFERENCE	PACKAGING OPTIONS	
ETM239P	1PCS	135PCS

Series P single wall box without conduit entry

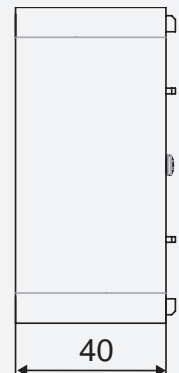
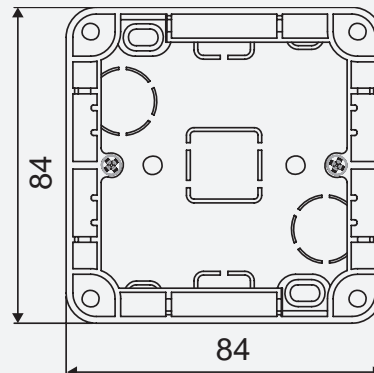
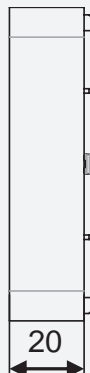
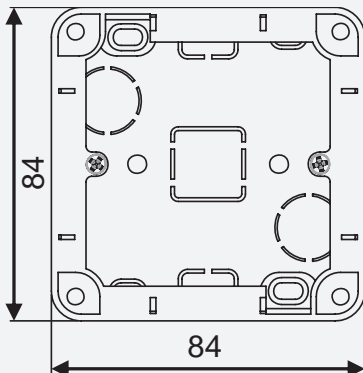
ETM240P IP20 PC HALOGEN FREE

Colour: white
 The product complies with the standard(s): EN 60670-1
 Fire hazard test: 850°C (IEC60695-2-11)
 ISO certifications: ISO 9001, ISO 14001, ISO 45001
 Certificates: CE
 Conforms with: LVD, RoHS, WEEE
 Working temperature: -25°C to +60°C
 Installation temperature: -5°C to +25°C

Wall-mounted box with 40mm depth is suitable for installing switches, sockets or dimmers on finished upholstered walls. Features 60 mm fixing centre with M3 screws. Compatible with Series P range sockets and switches. The box features knock-out holes for wiring.

REFERENCE	PACKAGING OPTIONS	
ETM240P	1PCS	80PCS

Technical drawings



Series P range



Series P double wall box without conduit entry

ETM430P IP20 PC HALOGEN FREE

Colour: white
 The product complies with the standard(s): EN 60670-1
 Fire hazard test: 850°C (IEC60695-2-11)
 ISO certifications: ISO 9001, ISO 14001, ISO 45001
 Certificates: CE
 Conforms with: LVD, RoHS, WEEE
 Working temperature: -25°C to +60°C
 Installation temperature: -5°C to +25°C

Wall-mounted box with 20mm depth is suitable for post-construction installation. Features 71 mm distance between two fixing centres, 60 mm distance between M3 screw spacing, and IP20 rating. Compatible with Series P sockets, switches, timers, dimmers, etc.

REFERENCE	PACKAGING OPTIONS	
ETM430P	1PCS	100PCS

Series P double wall box without conduit entry

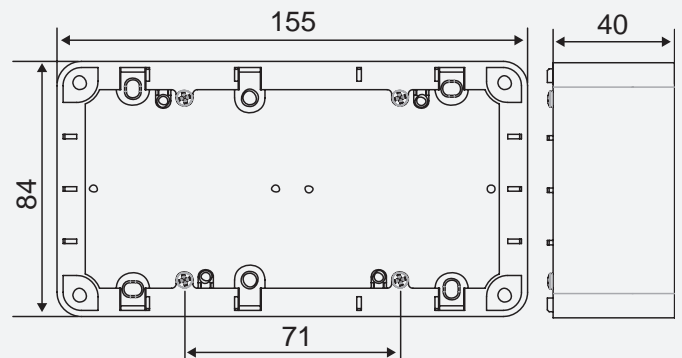
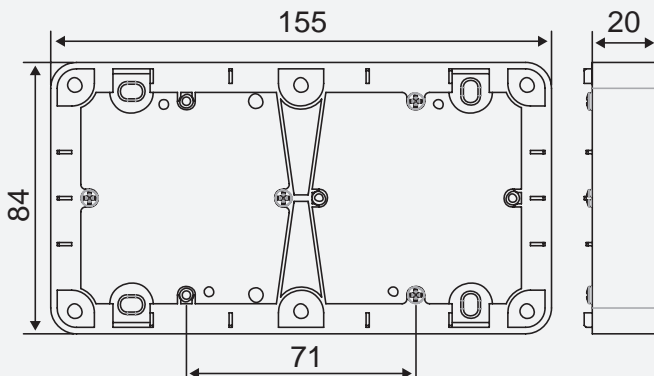
ETM429P IP20 PC HALOGEN FREE

Colour: white
 The product complies with the standard(s): EN 60670-1
 Fire hazard test: 850°C (IEC60695-2-11)
 ISO certifications: ISO 9001, ISO 14001, ISO 45001
 Certificates: CE
 Conforms with: LVD, RoHS, WEEE
 Working temperature: -25°C to +60°C
 Installation temperature: -5°C to +25°C

Wall-mounted box with 40mm depth is suitable for post-construction installation. Features 71 mm distance between two fixing centres, 60 mm distance between M3 screw spacing, and IP20 rating. Compatible with Series P sockets, switches, timers, dimmers, etc.

REFERENCE	PACKAGING OPTIONS	
ETM429P	1PCS	50PCS

Technical drawings





Series P triple wall box without conduit entry

ETM409P IP20 PC HALOGEN FREE

Colour: white
 The product complies with the standard(s): EN 60670-1
 Fire hazard test: 850°C (IEC60695-2-11)
 ISO certifications: ISO 9001, ISO 14001, ISO 45001
 Certificates: CE
 Conforms with: LVD, RoHS, WEEE
 Working temperature: -25°C to +60°C
 Installation temperature: -5°C to +25°C

Wall-mounted box with 40mm depth is suitable for post-construction installation. Features 71 mm distance between two fixing centres, 60 mm distance between M3 screw spacing, and IP20 rating. Compatible with Series P sockets, switches, timers, dimmers, etc.

REFERENCE	PACKAGING OPTIONS	
ETM409P	1PCS	35PCS



Series P double corner wall box without conduit entry

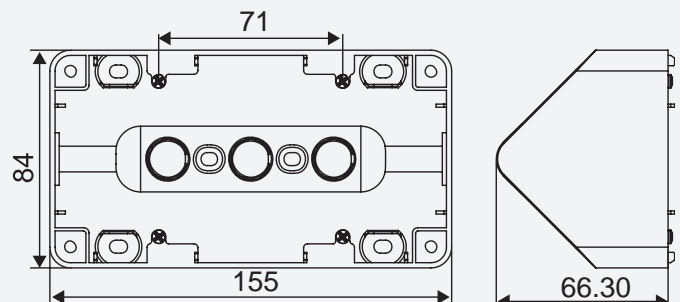
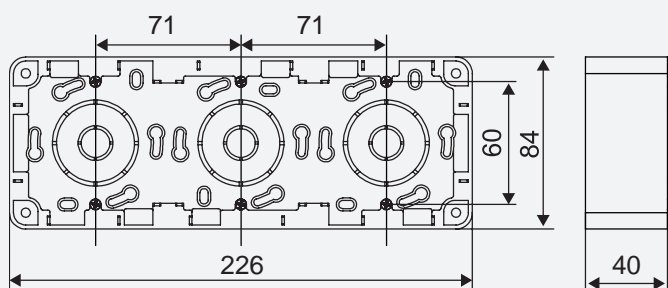
ETM402P IP20 PC HALOGEN FREE

Colour: white
 The product complies with the standard(s): EN 60670-1
 Fire hazard test: 850°C (IEC60695-2-11)
 ISO certifications: ISO 9001, ISO 14001, ISO 45001
 Certificates: CE
 Conforms with: LVD, RoHS, WEEE
 Working temperature: -25°C to +60°C
 Installation temperature: -5°C to +25°C

Wall-mounted box is suitable for installing switches, sockets or dimmers on finished upholstered wall corners. Features 60 mm fixing centre with M3 screws and 71mm distance between two fixing centres. Compatible with Series P range sockets and switches. The box features knock-out holes.

REFERENCE	PACKAGING OPTIONS	
ETM402P	1PCS	50PCS

Technical drawings



Series P range



Series P triple corner wall box without conduit entry

ETM407P IP20 PC HALOGEN FREE

Colour: white

The product complies with the standard(s): EN 60670-1

Fire hazard test: 850°C (IEC60695-2-11)

ISO certifications: ISO 9001, ISO 14001, ISO 45001

Certificates: CE

Conforms with: LVD, RoHS, WEEE

Working temperature: -25°C to +60°C

Installation temperature: -5°C to +25°C

Wall-mounted box is suitable for installing switches, sockets or dimmers on finished upholstered wall corners. Features 60 mm fixing centre with M3 screws and 71mm distance between two fixing centres. Compatible with Series P range sockets and switches. The box features knock-out holes.

REFERENCE	PACKAGING OPTIONS	
ETM407P	1PCS	30PCS



Series P single corner wall box without conduit entry

ETM696P IP20 PC HALOGEN FREE

Colour: white

The product complies with the standard(s): EN 60670-1

Fire hazard test: 850°C (IEC60695-2-11)

ISO certifications: ISO 9001, ISO 14001, ISO 45001

Certificates: CE

Conforms with: LVD, RoHS, WEEE

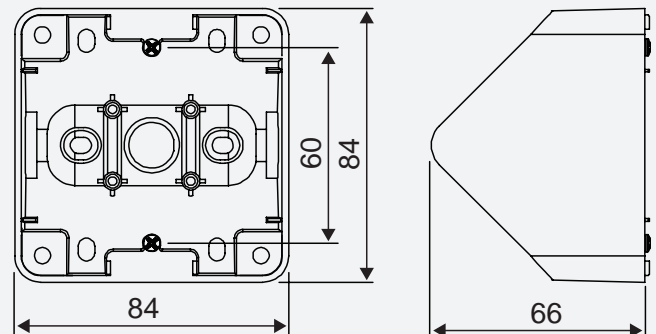
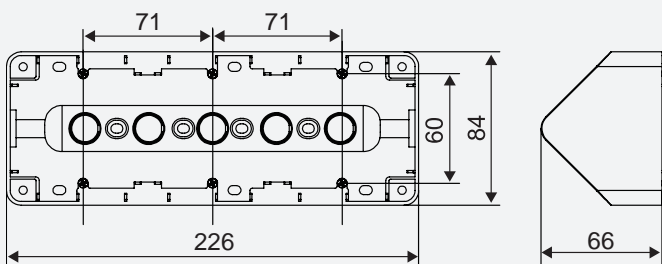
Working temperature: -25°C to +60°C

Installation temperature: -5°C to +25°C

The single wall-mounted box is suitable for installing switches, sockets or dimmers on finished upholstered wall corners. Features 60 mm fixing centre with M3 screws. Compatible with Series P range sockets and switches. The box features knock-out holes.

REFERENCE	PACKAGING OPTIONS	
ETM696P	1PCS	100PCS

Technical drawings





Series P corner wall box without conduit entry

ETM695P

IP20

PC

HALOGEN FREE

Colour: white

The product complies with the standard(s): EN 60670-1

Fire hazard test: 850°C (IEC60695-2-11)

ISO certifications: ISO 9001, ISO 14001, ISO 45001

Certificates: CE

Conforms with: LVD, RoHS, WEEE

Working temperature: -25°C to +60°C

Installation temperature: -5°C to +25°C

Wall-mounted corner box with 66mm depth is suitable for post-construction installation. Features 71 mm distance between two fixing centres, 60 mm distance between M3 screw spacing, and IP20 rating. Compatible with Series P sockets, switches, timers, dimmers, etc.

REFERENCE	PACKAGING OPTIONS	
ETM695P	1PCS	40PCS



Series P double corner wall box without conduit entry

ETM694P

IP20

PC

HALOGEN FREE

Colour: white

The product complies with the standard(s): EN 60670-1

Fire hazard test: 850°C (IEC60695-2-11)

ISO certifications: ISO 9001, ISO 14001, ISO 45001

Certificates: CE

Conforms with: LVD, RoHS, WEEE

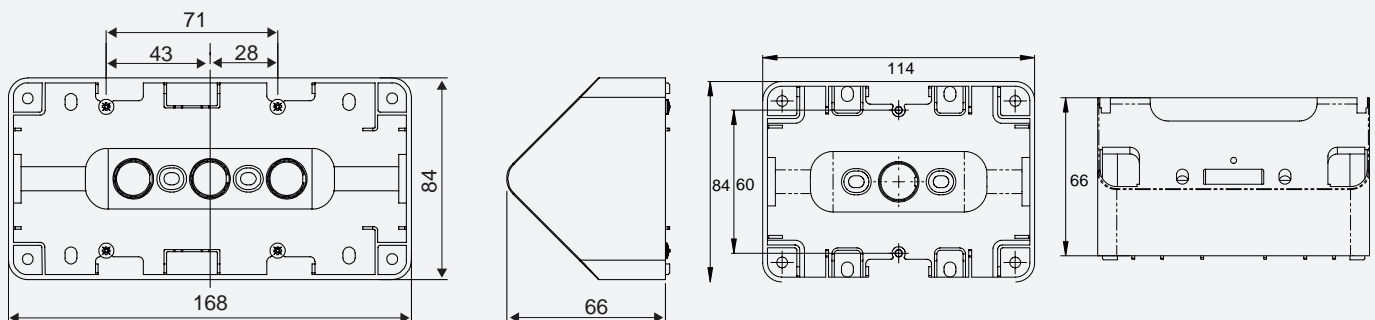
Working temperature: -25°C to +60°C

Installation temperature: -5°C to +25°C

Wall-mounted corner box is suitable for installing double sockets on finished upholstered wall corners. Features 60 mm fixing centre with M3 screws. Compatible with Series P range double sockets. The box features a knock-out hole for cable.

REFERENCE	PACKAGING OPTIONS	
ETM694P	1PCS	60PCS

Technical drawings



Series P range



Divider piece for Series P wall boxes

ETM437P IP20 PC HALOGEN FREE

Colour: white
 The product complies with the standard(s): EN 60670-1
 Fire hazard test: 850°C (IEC60695-2-11)
 ISO certifications: ISO 9001, ISO 14001, ISO 45001
 Certificates: CE
 Conforms with: LVD, RoHS, WEEE
 Working temperature: -25°C to +60°C
 Installation temperature: -5°C to +25°C

This slide-in divider for Series P wall-mounted boxes cleanly separates power and data outlets, enhancing safety and compliance. Designed for both corner and rectangular boxes, it installs in seconds with no tools needed. The end section is engineered to break away easily to fit rectangular boxes.

REFERENCE	PACKAGING OPTIONS	
ETM437P	1PCS	320PCS



Series P triple wall box without conduit entry

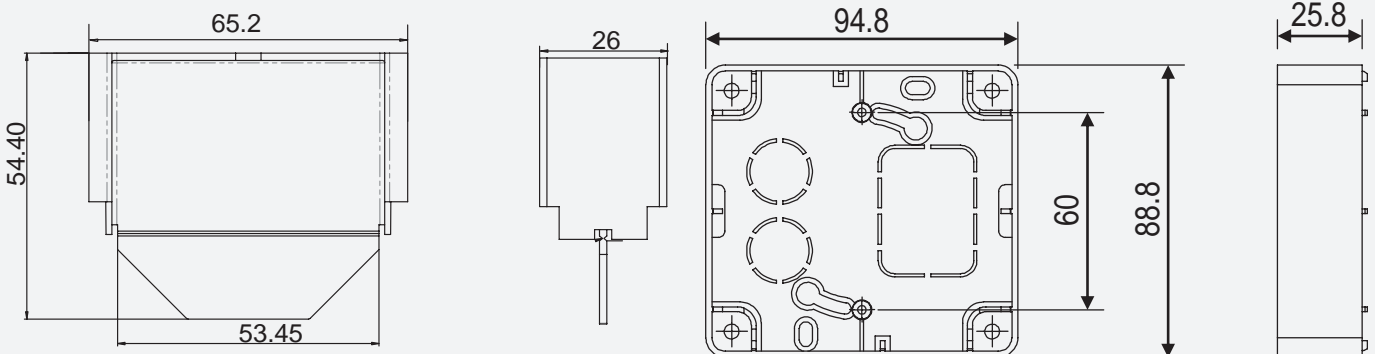
ETM431P IP20 PC HALOGEN FREE

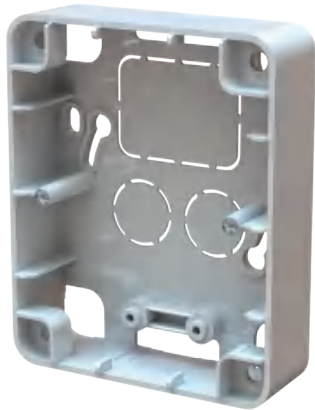
Colour: white
 The product complies with the standard(s): EN 60670-1
 Fire hazard test: 850°C (IEC60695-2-11)
 ISO certifications: ISO 9001, ISO 14001, ISO 45001
 Certificates: CE
 Conforms with: LVD, RoHS, WEEE
 Working temperature: -25°C to +60°C
 Installation temperature: -5°C to +25°C

Wall-mounted box with 25.8mm depth is suitable for post-construction installation. Features 60mm distance between two fixing centres and IP20 rating. Compatible with Series P double socket.

REFERENCE	PACKAGING OPTIONS	
ETM431P	1PCS	100PCS

Technical drawings





Series P double corner wall box without conduit entry

ETM431PV5 **IP20** **PC** **HALOGEN FREE**

Colour: white

The product complies with the standard(s): EN 60670-1

Fire hazard test: 850°C (IEC60695-2-11)

ISO certifications: ISO 9001, ISO 14001, ISO 45001

Certificates: CE

Conforms with: LVD, RoHS, WEEE

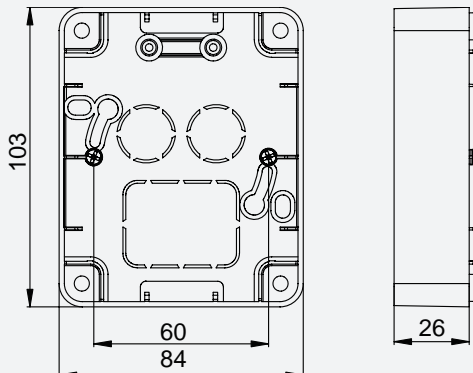
Working temperature: -25°C to +60°C

Installation temperature: -5°C to +25°C

Wall-mounted box with 26mm depth is suitable for post-construction installation. Features 60mm distance between two fixing centres and IP20 rating. Compatible with Series P double socket V5.

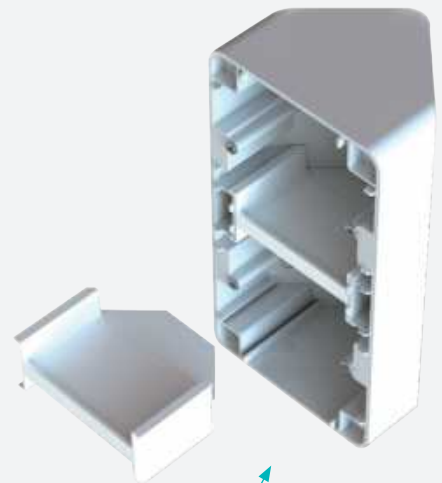
REFERENCE	PACKAGING OPTIONS	
ETM431PV5	1PCS	100PCS

Technical drawings



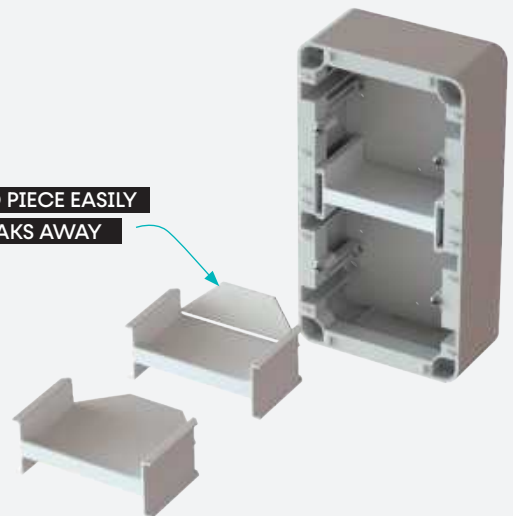
Easily divide wall boxes with the universal tool

Use our simple slide-in divider tool with Series P boxes to safely separate power and data, reducing interference and boosting safety.



SUITABLE FOR CORNER AND RECTANGULAR WALL BOXES

END PIECE EASILY BREAKS AWAY



Series P range



Series P floor box for a single socket or switch

ETM691P IP20 PC HALOGEN FREE

Colour: white
 The product complies with the standard(s): EN 60670-1
 Fire hazard test: 850°C (IEC60695-2-11)
 ISO certifications: ISO 9001, ISO 14001, ISO 45001
 Certificates: CE
 Conforms with: LVD, RoHS, WEEE
 Working temperature: -25°C to +60°C
 Installation temperature: -5°C to +25°C
 Max ambient temperature: +45°C

Compact floor box for a single switch or socket. Adjustable pins ease installation; base doubles as junction box (max 5 terminals).
 Fixing center: 60mm, M3 screws. Fits 30×18, 40×18, 45×18, 42×12, 58×12, 70×12mm trunkings. No conduit entries.

REFERENCE	PACKAGING OPTIONS	
ETM691P	1PCS	50PCS

Series P floor box for a double socket

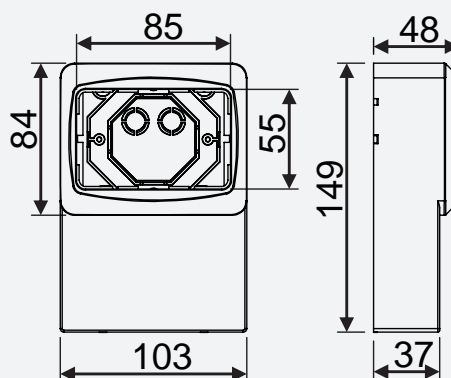
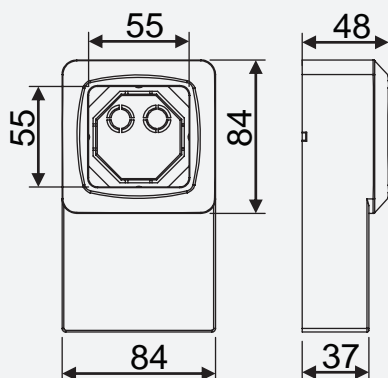
ETM696P IP20 PC HALOGEN FREE

Colour: white
 The product complies with the standard(s): EN 60670-1
 Fire hazard test: 850°C (IEC60695-2-11)
 ISO certifications: ISO 9001, ISO 14001, ISO 45001
 Certificates: CE
 Conforms with: LVD, RoHS, WEEE
 Working temperature: -25°C to +60°C
 Installation temperature: -5°C to +25°C
 Max ambient temperature: +45°C

Compact floor box for a double socket. Adjustable pins ease installation; base doubles as junction box (max 5 terminals).
 Fixing center: 60mm, M3 screws. Fits 30×18, 40×18, 45×18, 42×12, 58×12, 70×12mm trunkings. No conduit entries.

REFERENCE	PACKAGING OPTIONS	
ETM696P	1PCS	100PCS

Technical drawings





Series P universal floor installation box

ETM690PM **IP20** **PC** **HALOGEN FREE**

Colour: UV stable white, customised available
 The product complies with the standard(s): EN 60670-1
 Fire hazard test: 850°C (IEC60695-2-11)
 ISO certifications: ISO 9001, ISO 14001, ISO 45001
 Certificates: CE
 Conforms with: LVD, RoHS, WEEE
 Working temperature: -25°C to +60°C
 Installation temperature: -5°C to +25°C
 Max ambient temperature: +80°C

Floor box for wooden cable trunkings with 18mm or 12mm height. Bottom housing serves as junction box (max 5 terminals). Features 16/20mm cut-outs, 10mm side cable entries, and 60mm M3 fixing.

REFERENCE	PACKAGING OPTIONS	
ETM690PM	1PCS	45PCS



Series P universal floor installation box, 92mm width

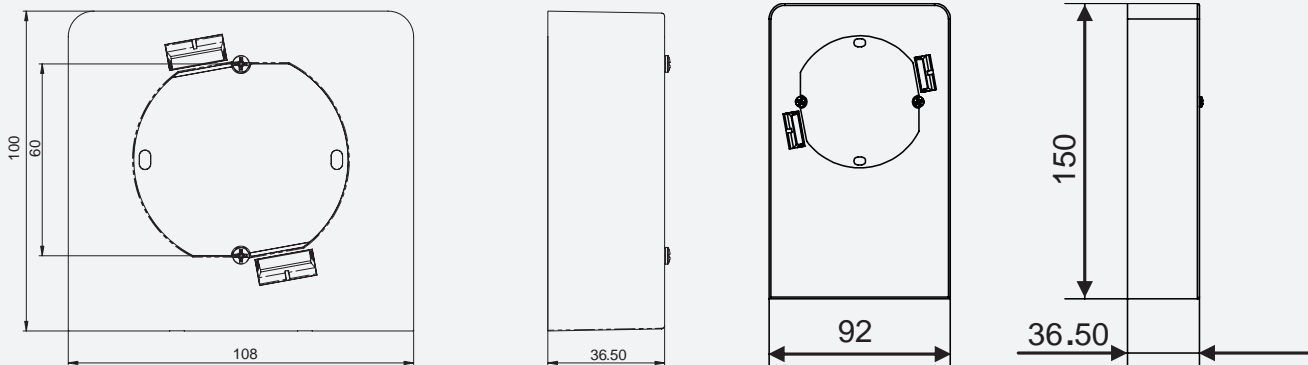
ETM690P **IP20** **PC** **HALOGEN FREE**

Colour: white, black
 The product complies with the standard(s): EN 60670-1
 Fire hazard test: 850°C (IEC60695-2-11)
 ISO certifications: ISO 9001, ISO 14001, ISO 45001
 Certificates: CE
 Conforms with: LVD, RoHS, WEEE
 Working temperature: -25°C to +60°C
 Installation temperature: -5°C to +25°C
 Max ambient temperature: +80°C

Floor box for wooden cable trunkings with 18mm or 12mm height. Bottom housing serves as junction box (max 5 terminals). Features 16/20mm cut-outs, 10mm side cable entries, and 60mm M3 fixing.

REFERENCE	PACKAGING OPTIONS	
ETM690P	1PCS	60PCS

Technical drawings





Series P universal floor installation box, 96mm width

ETM689P IP20 PC HALOGEN FREE

Colour: white

The product complies with the standard(s): EN 60670-1

Fire hazard test: 850°C (IEC60695-2-11)

ISO certifications: ISO 9001, ISO 14001, ISO 45001

Certificates: CE

Conforms with: LVD, RoHS, WEEE

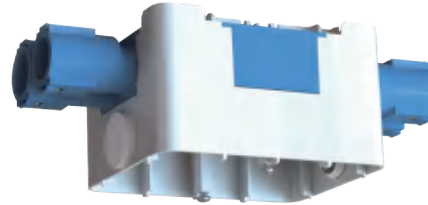
Working temperature: -25°C to +60°C

Installation temperature: -5°C to +25°C

Max ambient temperature: +45°C

Floor box for wooden cable trunkings with 18mm or 12mm height. Bottom housing serves as junction box (max 5 terminals). Features 16/20mm cut-outs, 10mm side cable entries, and 60mm M3 fixing.

REFERENCE	PACKAGING OPTIONS	
ETM689P	1PCS	54PCS



Series P ceiling box with inlets for a double socket

ETM438P IP20 PC HALOGEN FREE

Colour: white and blue

The product complies with the standard(s): EN 60670-1

Fire hazard test: 850°C (IEC60695-2-11)

ISO certifications: ISO 9001, ISO 14001, ISO 45001

Certificates: CE

Conforms with: LVD, RoHS, WEEE

Working temperature: -25°C to +60°C

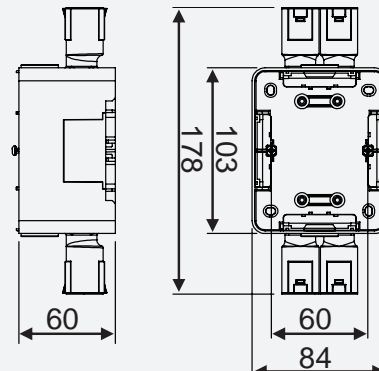
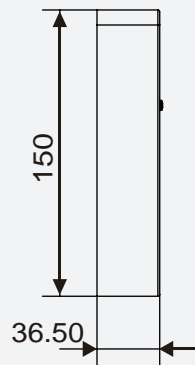
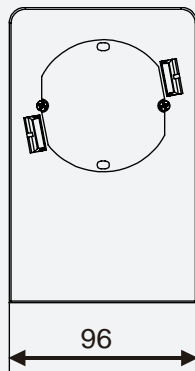
Installation temperature: -5°C to +25°C

Max ambient temperature: +45°C

Ceiling box for mounting accessories between hard and inner ceilings, ideal for water heaters. Supports 16/20mm pipes, movable inlets with locking springs, and membrane entries. Fixes via 4 bottom holes. Fits ETM246PW, ETM246PQW, ETM022PW, ETM022PQW, ETM022PLW, ETM022PQLW sockets.

REFERENCE	PACKAGING OPTIONS	
ETM438P	1PCS	480PCS

Technical drawings



Accessories



Series P socket frame for ETM438P ceiling box

ETM442P **IP20** **PC** **HALOGEN FREE**

Colour: white
 The product complies with the standard(s): EN 60670-1
 Fire hazard test: 850°C (IEC60695-2-11)
 ISO certifications: ISO 9001, ISO 14001, ISO 45001
 Certificates: CE
 Conforms with: LVD, RoHS, WEEE
 Working temperature: -25°C to +60°C
 Installation temperature: -5°C to +25°C

Double socket frame (2U) for ceiling box ETM438P. Fits 2S devices like double sockets (85×55mm) with outer dimensions 103×84mm. Clean, secure fit and easy to install.

REFERENCE	PACKAGING OPTIONS	
ETM442P	1PCS	280PCS



Series P blind cover

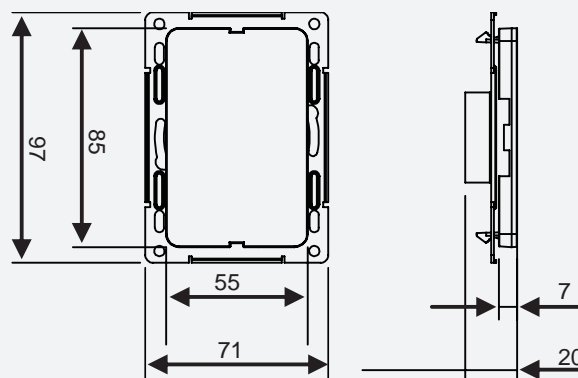
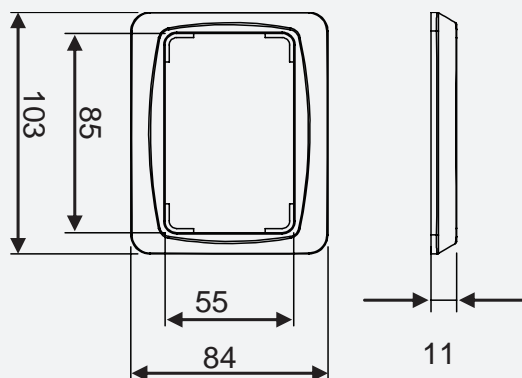
ETM439PW **IP20** **PC** **HALOGEN FREE**

Colour: white
 The product complies with the standard(s): EN 60670-1
 Fire hazard test: 850°C (IEC60695-2-11)
 ISO certifications: ISO 9001, ISO 14001, ISO 45001
 Certificates: CE
 Conforms with: LVD, RoHS, WEEE
 Working temperature: -25°C to +60°C
 Installation temperature: -5°C to +25°C

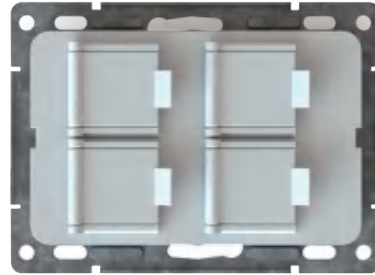
Blind plate for ceiling box ETM438P. Covers unused openings for a clean, finished look and added safety. Matches 2U frame size (103×84mm) and fits standard 2S layout (85×55mm). Easy to install and remove.

REFERENCE	PACKAGING OPTIONS	
ETM439PW	1PCS	270PCS

Technical drawings



Accessories



Series P cover for LexCom/Acrassi modules

ETM440PW-2 IP20 PC HALOGEN FREE

Colour: white
 The product complies with the standard(s): EN 60670-1
 Fire hazard test: 850°C (IEC60695-2-11)
 ISO certifications: ISO 9001, ISO 14001, ISO 45001
 Certificates: CE
 Conforms with: LVD, RoHS, WEEE
 Working temperature: -25°C to +60°C
 Installation temperature: -5°C to +25°C

Ceiling box cover with four entries designed for LexCom/ Actassi modules. Provides secure, organised mounting. Ideal for structured cabling installations. Clean finish, easy installation, and reliable fit.

REFERENCE	PACKAGING OPTIONS	
ETM440PW-2	1PCS	270PCS

Series P RJ45 cover

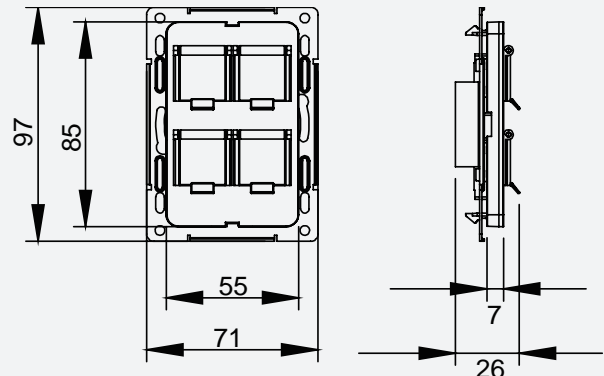
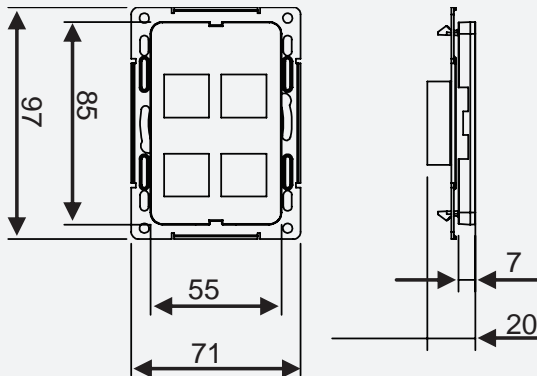
ETM441PWR-2 IP20 PC HALOGEN FREE

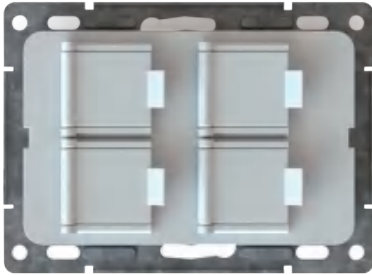
Colour: white, red
 The product complies with the standard(s): EN 60670-1
 Fire hazard test: 850°C (IEC60695-2-11)
 ISO certifications: ISO 9001, ISO 14001, ISO 45001
 Certificates: CE
 Conforms with: LVD, RoHS, WEEE
 Working temperature: -25°C to +60°C
 Installation temperature: -5°C to +25°C

Red 2S cover for 4xRJ45 connections with dust covers. Fits keystone modules (15.6×19.8mm). Protects ports from dust while ensuring a clean, professional finish for data installations.

REFERENCE	PACKAGING OPTIONS	
ETM441PWR-2	1PCS	160PCS

Technical drawings





Series P RJ45 cover

ETM441PWB-2 IP20 PC HALOGEN FREE

Colour: white, black
 The product complies with the standard(s): EN 60670-1
 Fire hazard test: 850°C (IEC60695-2-11)
 ISO certifications: ISO 9001, ISO 14001, ISO 45001
 Certificates: CE
 Conforms with: LVD, RoHS, WEEE
 Working temperature: -25°C to +60°C
 Installation temperature: -5°C to +25°C

Red 2S cover for 4xRJ45 connections with dust covers. Fits keystone modules (15.6×19.2mm). Protects ports from dust while ensuring a clean, professional finish for data installations.

REFERENCE	PACKAGING OPTIONS	
ETM441PWB-2	1PCS	160PCS



Series P strain relief

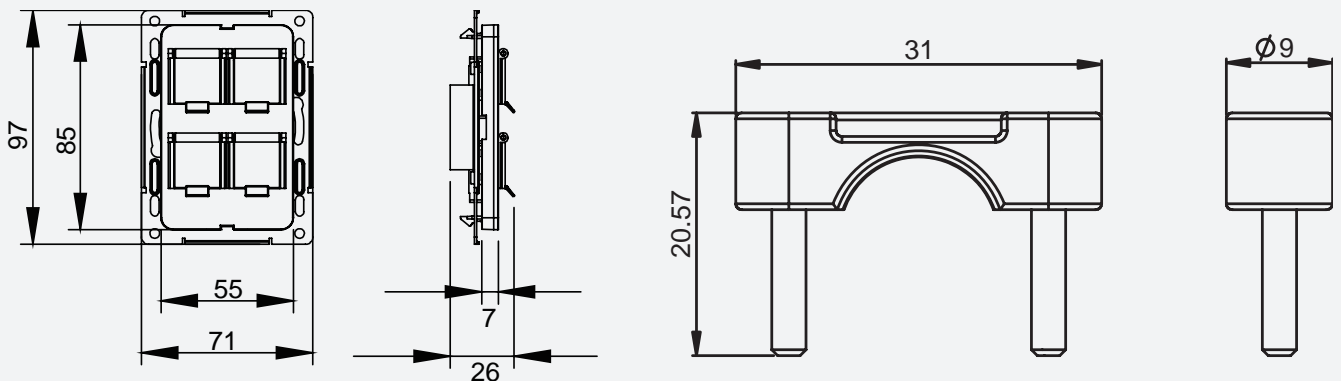
ETM435P-1 IP20 PC HALOGEN FREE

Colour: white
 The product complies with the standard(s): EN 60670-1
 Fire hazard test: 850°C (IEC60695-2-11)
 ISO certifications: ISO 9001, ISO 14001, ISO 45001
 Certificates: CE
 Conforms with: LVD, RoHS, WEEE
 Working temperature: -25°C to +60°C
 Installation temperature: -5°C to +25°C

Strain relief upper part with 2 screws included. Secures heavy cables, preventing stress on connections. Easy to mount, ideal for ceiling and wall boxes where reliable cable support is essential.

REFERENCE	PACKAGING OPTIONS	
ETM435P-1	1PCS	500PCS

Technical drawings



Junction boxes



Series P cover for ceiling box

ETM445P IP20 PC HALOGEN FREE

Colour: white
 The product complies with the standard(s): EN 60670-1
 Fire hazard test: 850°C (IEC60695-2-11)
 ISO certifications: ISO 9001, ISO 14001, ISO 45001
 Certificates: CE
 Conforms with: LVD, RoHS, WEEE
 Working temperature: -25°C to +60°C
 Installation temperature: -5°C to +25°C

Cover for ceiling box ETM438P with two fixing holes for secure attachment. Provides a clean, flush finish while protecting internal connections. Durable and easy to install - ideal for installations requiring a tidy, sealed appearance.

REFERENCE	PACKAGING OPTIONS	
ETM445P	1PCS	300PCS



Series P junction box IP20

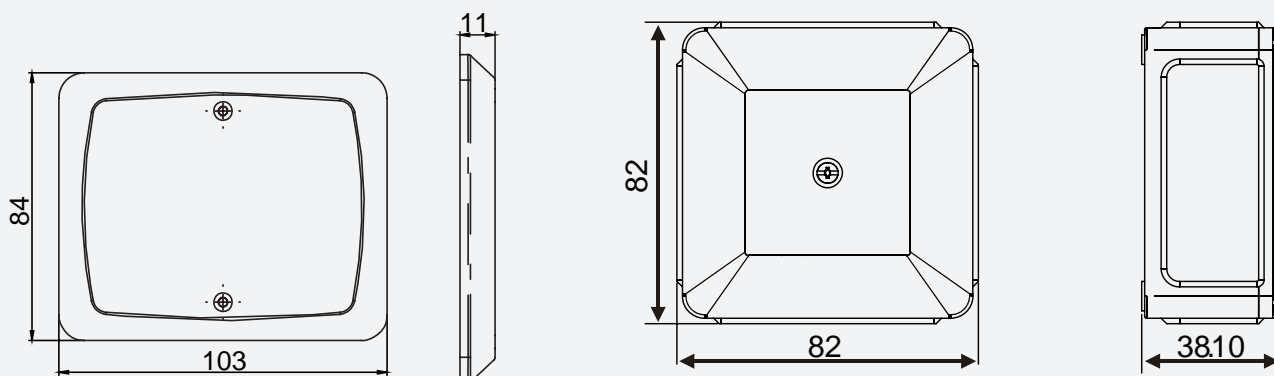
ETM219P IP20 PC HALOGEN FREE

Colour: white
 Frequency: 50Hz
 Volts of alternating current: 380VAC
 Rated connecting cap: 2.5mm²
 Complies with the standard(s): IEC60670-1, IEC60670-22
 Fire hazard test: 850°C (IEC60695-2-11)
 ISO certifications: ISO 9001, ISO 14001, ISO 45001
 Certificates: CE, Semko
 Conforms with: LVD, RoHS, WEEE
 Working temperature: -25°C to +60°C
 Installation temperature: -5°C to +25°C

Spacious square junction box with insulated 5-way transparent connector for easy wiring and depth check. Each connector holds up to 3 × 2.5 mm² wires. Ideal for clean, reliable electrical connections in residential and commercial installations.

REFERENCE	PACKAGING OPTIONS	
ETM219P	1PCS	250PCS

Technical drawings





Junction box IP54

ETM232S

IP54

PC

HALOGEN FREE

Colour: white
 Frequency: 50Hz
 Volts of alternating current: 400VAC
 Rated connecting cap: max 3×2.5mm²/clamp or 4×1.5mm²/clamp
 Complies with the standard(s): IEC60670-1, IEC60670-22
 Fire hazard test: 850°C (IEC60695-2-11)
 ISO certifications: ISO 9001, ISO 14001, ISO 45001
 Certificates: CE, Semko
 Conforms with: LVD, RoHS, WEEE
 Working temperature: -25°C to +60°C
 Installation temperature: -5°C to +25°C

Spacious square junction box with insulated 5-way transparent connector for easy depth check. Features 8 side membrane entries (Ø19mm) and 6 knock-outs (2 bottom). Handles up to 3×2.5 mm² or 4×1.5 mm² wires.

REFERENCE	PACKAGING OPTIONS	
ETM232S	1PCS	160PCS



Junction box IP20

ETM218P

IP20

PC

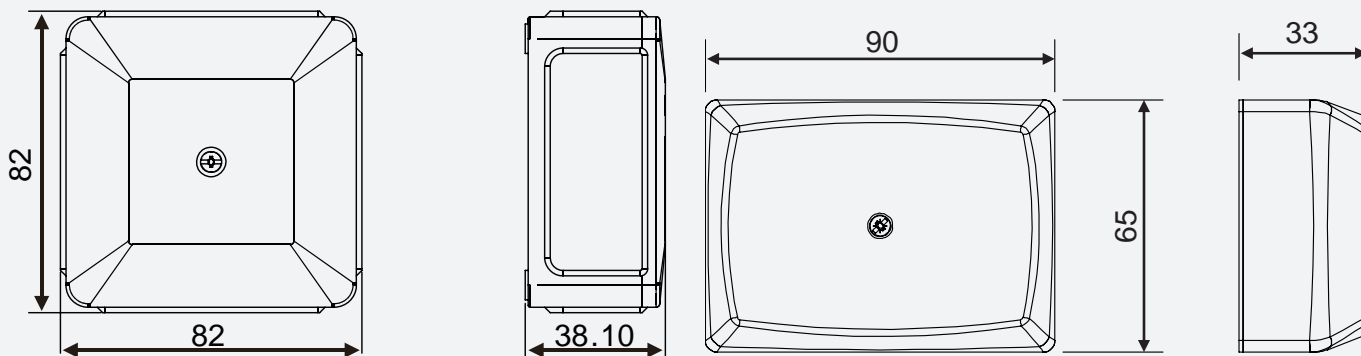
HALOGEN FREE

Colour: white
 Frequency: 50Hz
 Volts of alternating current: 440VAC
 Rated connecting cap: 6mm²
 Complies with the standard(s): IEC60670-1, IEC60670-22
 Fire hazard test: 850°C (IEC60695-2-11)
 ISO certifications: ISO 9001, ISO 14001, ISO 45001
 Certificates: CE, Semko
 Conforms with: LVD, RoHS, WEEE
 Working temperature: -25°C to +60°C
 Installation temperature: -5°C to +25°C

Junction box with two 3-pole insulated 6mm² connectors and eight mounting positions on the base plate. Four knock-outs in the bottom and additional knock-outs on the cover corners and long sides. Supports up to 8×1.5 mm² or 5×2.5mm² wires per connector.

REFERENCE	PACKAGING OPTIONS	
ETM218P	1PCS	200PCS

Technical drawings



Junction boxes



Junction box IP21

ETM436P IP21 PC HALOGEN FREE

Colour: white
 Frequency: 50Hz
 Volts of alternating current: 400VAC
 Rated connecting cap: 6mm²
 Complies with the standard(s): IEC60670-1, IEC60670-22
 Fire hazard test: 850°C (IEC60695-2-11)
 ISO certifications: ISO 9001, ISO 14001, ISO 45001
 Certificates: CE
 Conforms with: LVD, RoHS, WEEE
 Working temperature: -25°C to +60°C
 Installation temperature: -5°C to +25°C

Spacious square junction box with insulated 5-way connectors and easy wiring. Two Ø16 mm membrane entries, plus Ø13 and Ø5 knock-outs for flexible cable access. Fits 3×2.5 mm² or 4×1.5 mm² wires. Multiple mounting options (c-c 60, 67, 70 mm). IP20 rated without baseplate.

REFERENCE	PACKAGING OPTIONS	
ETM436P	1PCS	90PCS

Junction box IP44

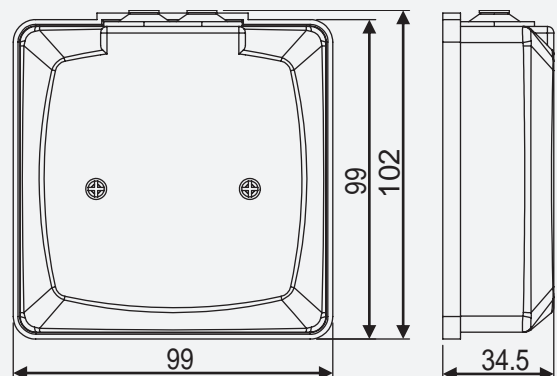
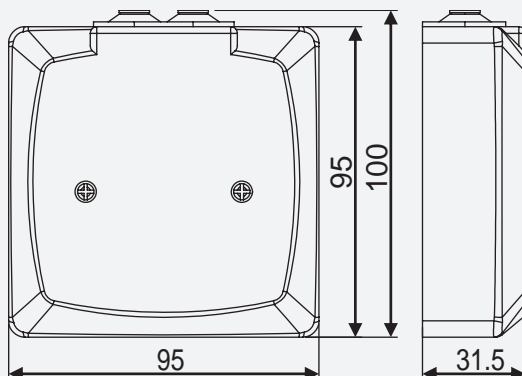
ETM436P44 IP44 PC HALOGEN FREE

Colour: white
 Frequency: 50Hz
 Volts of alternating current: 400VAC
 Rated connecting cap: 6mm²
 Complies with the standard(s): IEC60670-1, IEC60670-22
 Fire hazard test: 850°C (IEC60695-2-11)
 ISO certifications: ISO 9001, ISO 14001, ISO 45001
 Certificates: CE
 Conforms with: LVD, RoHS, WEEE
 Working temperature: -25°C to +60°C
 Installation temperature: -5°C to +25°C

Spacious square junction box with insulated 5-way connectors and easy wiring. Two Ø16mm membrane entries, plus Ø13 and Ø5 knock-outs for flexible cable access. Fits 3×2.5 mm² or 4×1.5 mm² wires. Multiple mounting options (c-c 60, 67, 70 mm). IP44 rated with a baseplate.

REFERENCE	PACKAGING OPTIONS	
ETM436P44	1PCS	80PCS

Technical drawings





Junction box IP65

ETM432S **IP65** **PP** **HALOGEN FREE**

Colour: white, black
 Frequency: 50Hz
 Volts of alternating current: 400VAC
 Rated connecting cap: 2.5mm²
 Complies with the standard(s): IEC60670-1, IEC60670-22
 Fire hazard test: 650°C (IEC60695-2-11)
 ISO certifications: ISO 9001, ISO 14001, ISO 45001
 Certificates: CE
 Conforms with: LVD, RoHS, WEEE
 Working temperature: -25°C to +60°C
 Installation temperature: -5°C to +25°C

Square junction box with 12 side and 2 bottom membrane entries for quick cable insertion. Snap-lock design with no screws needed - opens easily via tool slots. Supports optional center-pin strain reliefs for added cable security.

REFERENCE	PACKAGING OPTIONS	
ETM432S	1PCS	80PCS



Junction box IP65

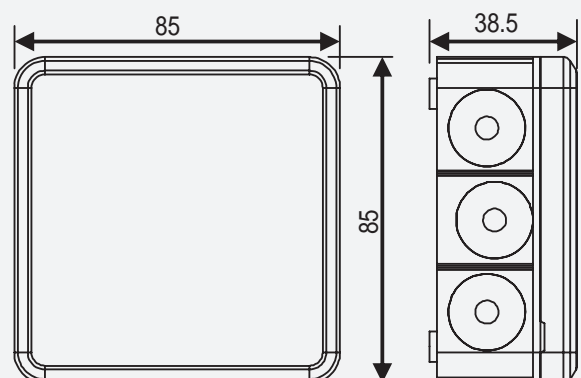
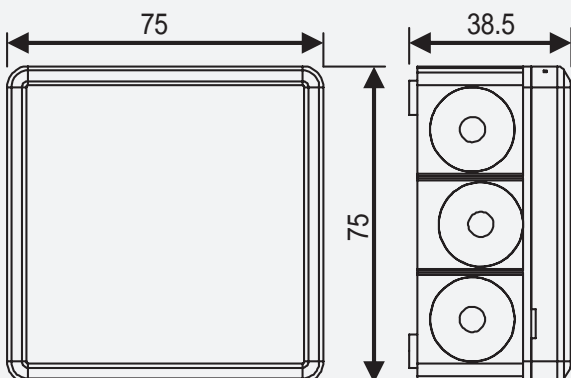
ETM233S **IP65** **PP** **HALOGEN FREE**

Colour: white, black
 Frequency: 50Hz
 Volts of alternating current: 400VAC
 Rated connecting cap: 2.5mm²
 Complies with the standard(s): IEC60670-1, IEC60670-22
 Fire hazard test: 650°C (IEC60695-2-11)
 ISO certifications: ISO 9001, ISO 14001, ISO 45001
 Certificates: CE
 Conforms with: LVD, RoHS, WEEE
 Working temperature: -25°C to +60°C
 Installation temperature: -5°C to +25°C

Square junction box with 12 side and 2 bottom membrane entries for quick cable insertion. Snap-lock design with no screws needed - opens easily via tool slots. Supports optional center-pin strain reliefs for added cable security.

REFERENCE	PACKAGING OPTIONS	
ETM233S	1PCS	80PCS

Technical drawings



Junction boxes



Junction box IP65

ETM434S IP65 PP HALOGEN FREE

Colour: white, black
 Frequency: 50Hz
 Volts of alternating current: 400VAC
 Rated connecting cap: 6mm²
 Complies with the standard(s): IEC60670-1, IEC60670-22
 Fire hazard test: 650°C (IEC60695-2-11)
 ISO certifications: ISO 9001, ISO 14001, ISO 45001
 Certificates: CE
 Conforms with: LVD, RoHS, WEEE
 Working temperature: -25°C to +60°C
 Installation temperature: -5°C to +25°C

Square junction box with 12 side and 2 bottom membrane entries for quick cable insertion. Snap-lock design with no screws needed - opens easily via tool slots. Supports optional center-pin strain reliefs for added cable security.

REFERENCE	PACKAGING OPTIONS	
ETM434S	1PCS	60PCS

Strain relief for junction boxes IP54/IP65

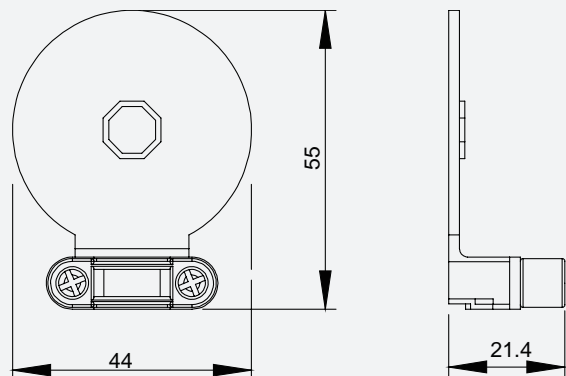
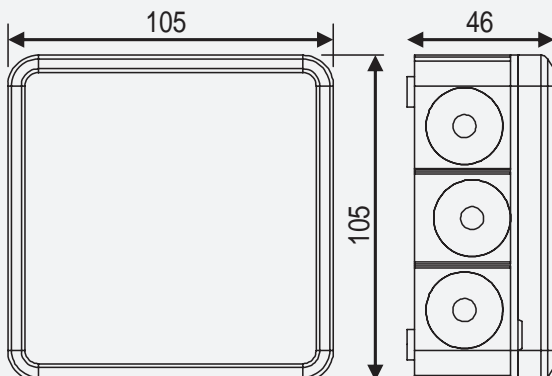
ETM435P IP20 PC HALOGEN FREE

Colour: white
 Frequency: 50Hz
 Volts of alternating current: 400VAC
 Rated connecting cap: max 3×2.5mm²/clamp or 4×1.5mm²/clamp
 Complies with the standard(s): IEC60670-1, IEC60670-22
 Fire hazard test: 850°C (IEC60695-2-11)
 ISO certifications: ISO 9001, ISO 14001, ISO 45001
 Certificates: CE, Semko
 Conforms with: LVD, RoHS, WEEE
 Working temperature: -25°C to +60°C
 Installation temperature: -5°C to +25°C

Optional strain relief for junction box ETM232S. Ideal for heavy cables like 3×1.5 mm² or 5×2.5 mm² rubber types. Provides secure cable support, reducing stress on connections and improving durability in demanding installations.

REFERENCE	PACKAGING OPTIONS	
ETM435P	1PCS	1000PCS

Technical drawings





Distance block for junction box

ETM668S

IP20

PP

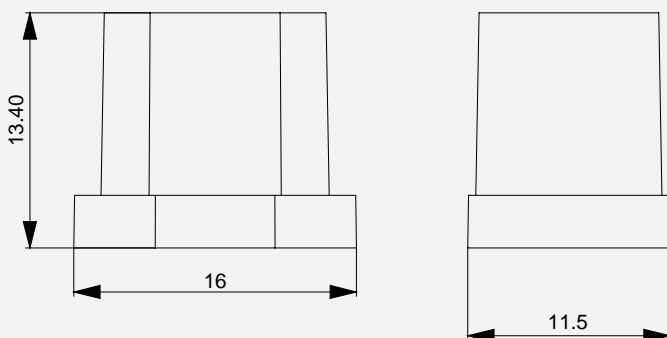
HALOGEN FREE

Colour: white, black
 Frequency: 50Hz
 Volts of alternating current: 400VAC
 Rated connecting cap: 6mm²
 Complies with the standard(s): IEC60670-1, IEC60670-22
 Fire hazard test: 650°C (IEC60695-2-11)
 ISO certifications: ISO 9001, ISO 14001, ISO 45001
 Certificates: CE
 Conforms with: LVD, RoHS, WEEE
 Working temperature: -25°C to +60°C
 Installation temperature: -5°C to +25°C

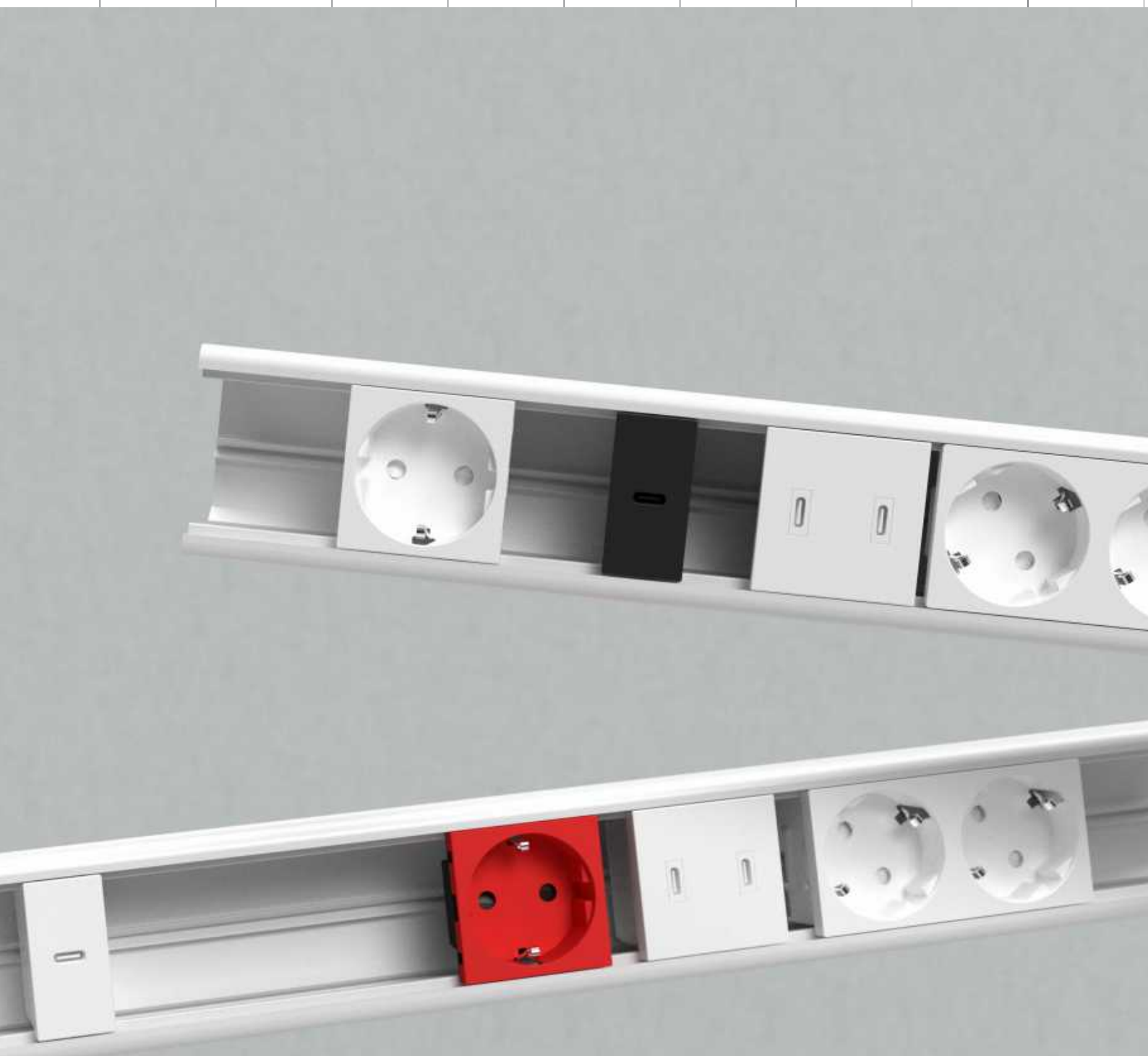
Distance block with 13.4 mm height creates space between the wall and mounted product, allowing easy cable insertion or routing at the rear edge. Ideal for junction box installations where rear access is needed.

REFERENCE	PACKAGING OPTIONS	
ETM668S	1PCS	100PCS

Technical drawings



USB and trunking systems



Our USB charging modules are engineered with uncompromising standards for quality and safety, ensuring dependable performance around the clock.

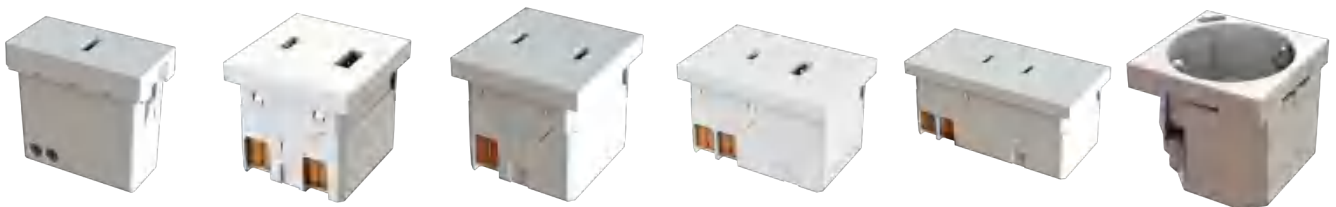
With fast-charging capability, these modules meet the growing demands of modern devices. We also offer flexible customisation, so each module can be tailored to suit your specific installation requirements without compromising efficiency or aesthetics.

Our comprehensive trunking system range provides a robust, organised solution for distributing power and connectivity across diverse spaces. Available in 0.5, 1.0, 1.5, and 2.0 module configurations,

these units integrate seamlessly with the industry's most widely used trunking channels. Choose from versatile Type C, Type A+C, or dual Type C options, delivering reliable charging power from 20W up to an impressive 140W.

The range also includes single and double socket modules, offering an all-in-one solution for keeping devices charged and plugged in securely. Designed for straightforward wall-mounted installation, our trunking systems are ideal for offices, educational institutions, healthcare facilities, and other professional settings where orderly wiring and dependable access to power are essential. Stay connected - efficiently, safely, and without compromise.

PRODUCT RANGE



FAST CHARGING CAPABILITIES

Our fast-charging modules cover every need, offering reliable power at 20W, 45W, 65W, 100W, and up to an impressive 140W, ensuring everything from smartphones to high-demand laptops are charged swiftly and efficiently.

USB and socket modules



0.5 module Type C 20W

20W **IP20** **PP** **HALOGEN FREE**

Colour: white, black
 Complies with the standard(s): IEC60670-1,
 Fire hazard test: 850°C (IEC60695-2-11)
 ISO certifications: ISO 9001, ISO 14001, ISO 45001
 Certificates: CE, Intertek
 Conforms with: LVD, RoHS, WEEE

This is a compact, half-module (22.5×45×42mm) designed for seamless integration into trunking systems. It features a Type C port and provides reliable charging for various devices with an output of 5V-3A, 9V-2.22A, and 12V-1.67A, delivering up to 20W of power. The module operates on an input range of AC100-250V 50/60Hz and uses screw terminals for secure connections, supporting terminal capacities of 2 × 1 × 2.5mm². This charging module is ideal for efficient, high-speed charging in commercial and office environments.

REFERENCE	PACKAGING OPTIONS
05C20W	1PCS



1.0 module Type A+C 20W two terminals

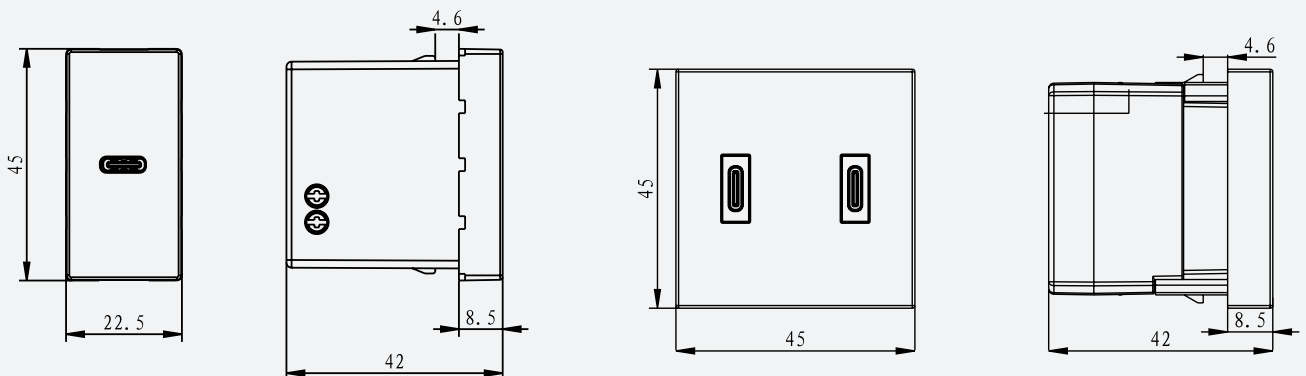
20W **IP20** **PP** **HALOGEN FREE**

Colour: white, black
 Complies with the standard(s): IEC60670-1,
 Fire hazard test: 850°C (IEC60695-2-11)
 ISO certifications: ISO 9001, ISO 14001, ISO 45001
 Certificates: CE, Intertek
 Conforms with: LVD, RoHS, WEEE

This 1-module (45×45×42mm) provides versatile charging options with both Type A and Type C ports. It operates on AC100-250V 50/60Hz input, delivering a total power of 20W. The Type A port supports QC18W (5V-3A; 9V-2A; 12V-1.5A), while the Type C port offers PD20W (5V-3A; 9V-2.22A; 12V-1.67A). When both ports are used simultaneously (A + C), the output is 5V-3A. The module features a screwless terminal with an operating lever, accommodating terminal capacities of 2 × 2 × 2.5 mm².

REFERENCE	PACKAGING OPTIONS
10AC20W	1PCS

Technical drawings





1.0 module Type A+C 45W one terminal

45W

IP20

PP

HALOGEN FREE

Colour: white, black
 Complies with the standard(s): IEC60670-1,
 Fire hazard test: 850°C (IEC60695-2-11)
 ISO certifications: ISO 9001, ISO 14001, ISO 45001
 Certificates: CE, Intertek
 Conforms with: LVD, RoHS, WEEE

This 1-module (45×45×42mm) provides versatile charging options with both Type A and Type C ports. It operates on AC100-250V 50/60Hz input, delivering a total power of 20W. The Type A port supports QC18W (5V-3A; 9V-2A; 12V-1.5A), while the Type C port offers PD20W (5V-3A; 9V-2.22A; 12V-1.67A). When both ports are used simultaneously (A + C), the output is 5V-3A. The module features a screwless terminal with an operating lever, accommodating terminal capacities of 2 × 2 × 2.5 mm².

REFERENCE	PACKAGING OPTIONS
10AC45W	1PCS



1.0 module Type A+C 65W one terminal

65W

IP20

PP

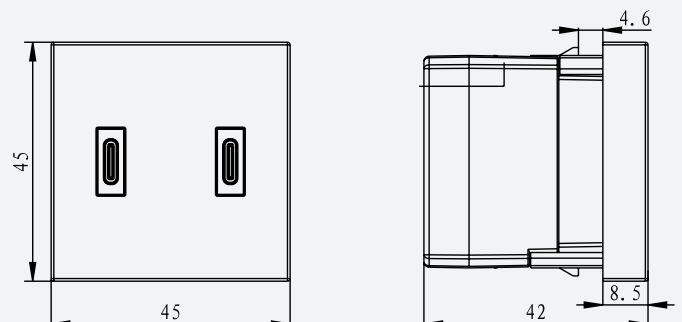
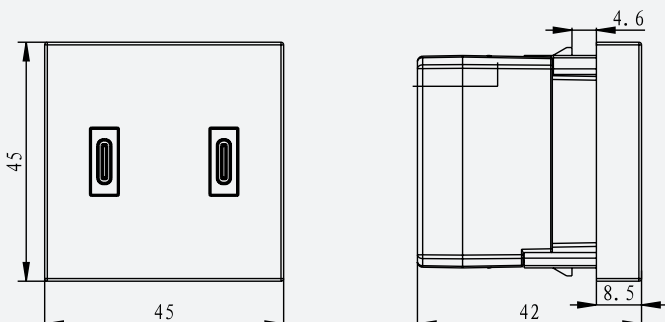
HALOGEN FREE

Colour: white, black
 Complies with the standard(s): IEC60670-1,
 Fire hazard test: 850°C (IEC60695-2-11)
 ISO certifications: ISO 9001, ISO 14001, ISO 45001
 Certificates: CE, Intertek
 Conforms with: LVD, RoHS, WEEE

This 1-module operates on AC230V 50/60Hz input, providing up to 65W of power. The Type A port delivers QC36W (5V-3A; 9V-3A; 12V-3A), while the Type C port supports PD65W (5V-3A; 9V-3A; 12V-3A; 15V-3A; 20V-3.25A) for fast charging of a wide range of devices. When both ports are in use, the output is split into A18W (5V-3A; 9V-2A; 12V-1.5A) and C45W (5V-3A; 9V-3A; 12V-3A; 15V-3A; 20V-2.25A). The module features screwless terminals with a terminal capacity of 2 × 1 × 2.5 mm².

REFERENCE	PACKAGING OPTIONS
10AC65W	1PCS

Technical drawings



USB and socket modules



1.0 module Type C+C 20W two terminals

20W **IP20** **PP** **HALOGEN FREE**

Colour: white, black
 Complies with the standard(s): IEC60670-1,
 Fire hazard test: 850°C (IEC60695-2-11)
 ISO certifications: ISO 9001, ISO 14001, ISO 45001
 Certificates: CE, Intertek
 Conforms with: LVD, RoHS, WEEE

This 1-module features dual Type C ports. Operating on an input of AC100-250V 50/60Hz, it provides a total power output of 20W. Each Type C port supports PD20W (5V-3A; 9V-2.22A; 12V-1.67A) for fast charging. When both ports are used simultaneously (C+C), the output is 5V-2A. The module is equipped with screwless terminals and an operating lever, allowing for quick and easy installation with a terminal capacity of $2 \times 2 \times 2.5 \text{ mm}^2$.

REFERENCE	PACKAGING OPTIONS
10CC20W	1PCS



1.0 module Type C+C 45W one terminals

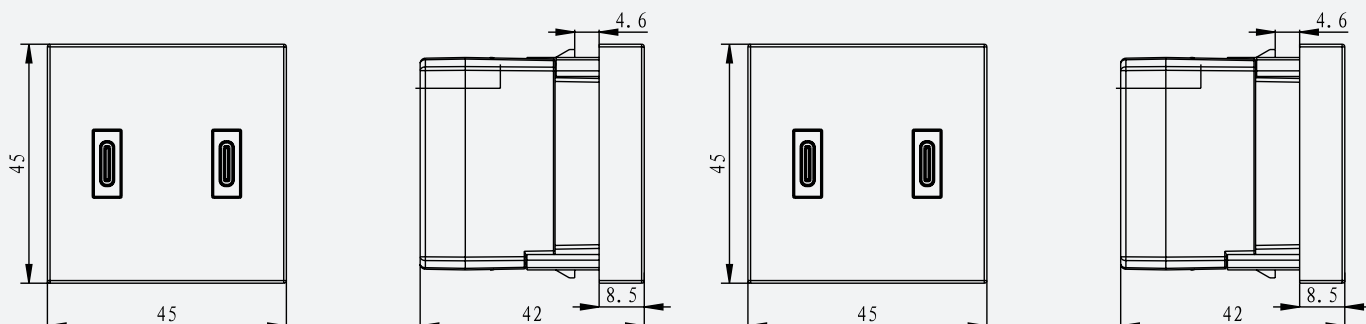
45W **IP20** **PP** **HALOGEN FREE**

Colour: white, black
 Complies with the standard(s): IEC60670-1,
 Fire hazard test: 850°C (IEC60695-2-11)
 ISO certifications: ISO 9001, ISO 14001, ISO 45001
 Certificates: CE, Intertek
 Conforms with: LVD, RoHS, WEEE

This 1-module features dual Type C ports. With an input of AC100-250V 50/60Hz, it delivers up to 45W of power. A single Type C port provides PD45W (5V-3A; 9V-3A; 12V-3A; 15V-3A; 20V-2.25A) for fast charging of high-demand devices. When both ports (C1+C2) are used simultaneously, each port delivers PD20W (5V-3A; 9V-2.22A; 12V-1.67A; 15V-1.33A; 20V-1A). The module features screwless terminals and supports a terminal capacity of $2 \times 1 \times 2.5 \text{ mm}^2$.

REFERENCE	PACKAGING OPTIONS
10CC45W	1PCS

Technical drawings





1.0 module Type C+C 65W one terminals

65W

IP20

PP

HALOGEN FREE

Colour: white, black
 Complies with the standard(s): IEC60670-1,
 Fire hazard test: 850°C (IEC60695-2-11)
 ISO certifications: ISO 9001, ISO 14001, ISO 45001
 Certificates: CE, Intertek
 Conforms with: LVD, RoHS, WEEE

This 1-module provides dual Type C ports. It operates on an input of AC230V 50/60Hz, delivering up to 65W of total power. A single Type C port offers PD65W (5V-3A; 9V-3A; 12V-3A; 15V-3A; 20V-3.25A), ideal for charging high-powered devices. When both ports (C1 + C2) are used simultaneously, C1 provides PD18W (5V-3A; 9V-2A; 12V-1.5A) and C2 delivers PD45W (5V-3A; 9V-3A; 12V-3A; 15V-3A; 20V-2.25A). Featuring screwless terminals, this module supports a terminal capacity of $2 \times 1 \times 2.5$ mm².

REFERENCE	PACKAGING OPTIONS
10CC65W	1PCS



1.0 module socket Type C 7.5W

7.5W

IP20

PP

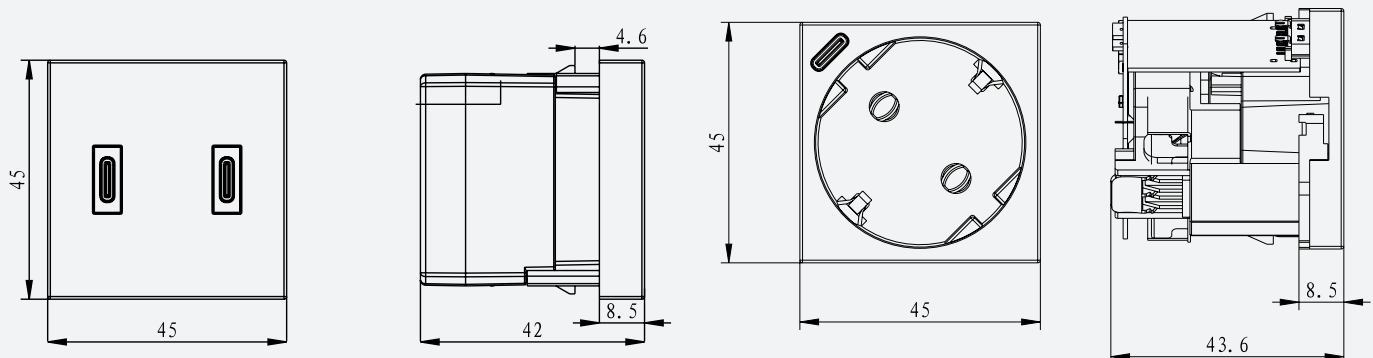
HALOGEN FREE

Colour: white, black
 Complies with the standard(s): IEC60670-1,
 Fire hazard test: 850°C (IEC60695-2-11)
 ISO certifications: ISO 9001, ISO 14001, ISO 45001
 Certificates: CE, Intertek
 Conforms with: LVD, RoHS, WEEE

This socket module is designed to provide both a standard socket and a USB Type C port for convenient device charging. It operates on an AC230V 50/60Hz input and delivers up to 7.5W of power with a 5V-1.5A output for efficient charging of low-power devices. The module features screwless terminals with an operating lever, ensuring quick and secure installation, and supports a terminal capacity of $3 \times 2 \times 2.5$ mm². Ideal for office environments, this compact solution combines power access with USB charging in a single module.

REFERENCE	PACKAGING OPTIONS
10SC7W	1PCS

Technical drawings



USB and socket modules



1.5 module Type A+C 65W two terminals

65W

IP20

PP

HALOGEN FREE

Colour: white, black
 Complies with the standard(s): IEC60670-1,
 Fire hazard test: 850°C (IEC60695-2-11)
 ISO certifications: ISO 9001, ISO 14001, ISO 45001
 Certificates: CE, Intertek
 Conforms with: LVD, RoHS, WEEE

This 1.5-module operates on AC100-250V 50/60Hz input, providing up to 65W of total power. The Type A port delivers QC36W (5V-3A; 9V-3A; 12V-3A) for fast charging, while the Type C port supports PD65W (5V-3A; 9V-3A; 12V-3A; 15V-3A; 20V-3.25A). When both ports are used simultaneously, the output is A18W (5V-3A; 9V-2A; 12V-1.5A) and C45W (5V-3A; 9V-3A; 12V-3A; 15V-3A; 20V-2.25A). The module features screwless terminals and supports a terminal capacity of $2 \times 2 \times 2.5 \text{ mm}^2$.

REFERENCE	PACKAGING OPTIONS
15AC65W	1PCS



1.5 module Type C+C 65W two terminals

65W

IP20

PP

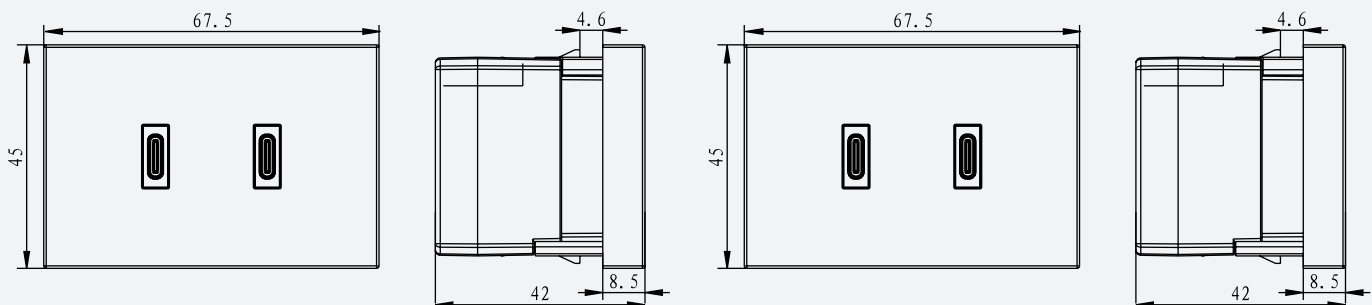
HALOGEN FREE

Colour: white, black
 Complies with the standard(s): IEC60670-1,
 Fire hazard test: 850°C (IEC60695-2-11)
 ISO certifications: ISO 9001, ISO 14001, ISO 45001
 Certificates: CE, Intertek
 Conforms with: LVD, RoHS, WEEE

This module offers dual Type C ports for powerful and flexible charging. It operates on an AC100-250V 50/60Hz input, providing up to 65W of total power. A single Type C port supports PD65W (5V-3A; 9V-3A; 12V-3A; 15V-3A; 20V-3.25A). When both ports are used simultaneously, the output is split between C1 (PD18W, 5V-3A; 9V-2A; 12V-1.5A) and C2 (PD45W, 5V-3A; 9V-3A; 12V-3A; 15V-3A; 20V-2.25A). The module features screwless terminals and supports a terminal capacity of $2 \times 2 \times 2.5 \text{ mm}^2$.

REFERENCE	PACKAGING OPTIONS
15CC65W	1PCS

Technical drawings





2.0 module Type C+C 100W two terminals

100W

IP20

PP

HALOGEN FREE

Colour: white, black
 Complies with the standard(s): IEC60670-1,
 Fire hazard test: 850°C (IEC60695-2-11)
 ISO certifications: ISO 9001, ISO 14001, ISO 45001
 Certificates: CE, Intertek
 Conforms with: LVD, RoHS, WEEE

This 2-module has an input of AC100-250V 50/60Hz and a total power capacity of 100W. A single Type C port delivers up to PD100W (5V-3A; 9V-3A; 12V-3A; 15V-3A; 20V-5A). When both ports are used, C1 outputs PD65W (5V-3A; 9V-3A; 12V-3A; 15V-3A; 20V-3.25A) and C2 delivers PD30W (5V-3A; 9V-3A; 12V-2.5A; 15V-2A; 20V-1.5A), ensuring optimal power distribution. The module features screwless terminals and a terminal capacity of $2 \times 2 \times 2.5 \text{ mm}^2$.

REFERENCE	PACKAGING OPTIONS
20CC100W	1PCS



2.0 module Type C+C 140W two terminals

140W

IP20

PP

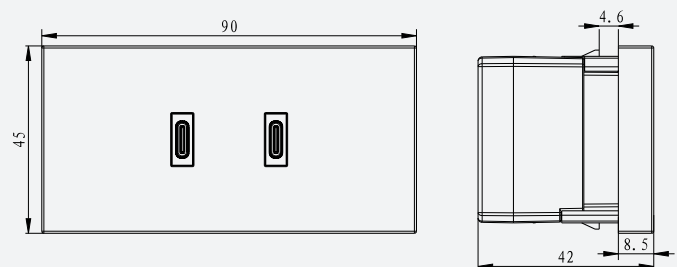
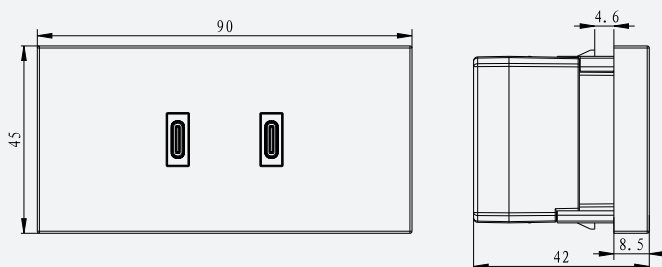
HALOGEN FREE

Colour: white, black
 Complies with the standard(s): IEC60670-1,
 Fire hazard test: 850°C (IEC60695-2-11)
 ISO certifications: ISO 9001, ISO 14001, ISO 45001
 Certificates: CE, Intertek
 Conforms with: LVD, RoHS, WEEE

This module offers dual Type C ports with a high total power capacity of 140W. It operates on AC100-250V 50/60Hz input, providing a single port output of PD140W (5V-3A; 9V-3A; 12V-3A; 15V-3A; 20V-5A; 28V-5A). When both ports are used, each delivers PD65W (5V-3A; 9V-3A; 12V-3A; 15V-3A; 20V-3.25A). The module has screwless terminals and a terminal capacity of $2 \times 2 \times 2.5 \text{ mm}^2$.

REFERENCE	PACKAGING OPTIONS
20CC140W	1PCS

Technical drawings



USB and socket modules



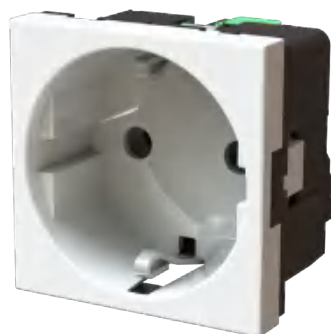
1.0 module 1-way socket, 0°, with shutter

ETM880SQ **IP20** **PC** **HALOGEN FREE**

Colour: white, black, red
 Technical data: 16A 250V 50Hz
 Complies with the standard(s): IEC60884-1,
 Fire hazard test: 850°C (IEC60695-2-11)
 ISO certifications: ISO 9001, ISO 14001, ISO 45001
 Certificates: Semko
 Conforms with: RoHS, WEEE
 Working temperature indoor: -25°C to +60°C
 Installation temperature: -5°C to +25°C

45mm series trunking module socket with shutter, designed for fixing cable conduit sockets in household, commercial, and industrial installations. Matches 45mm profile and fits F80 profiles via adaptor. Offers 0° orientation with improved screwless terminals for 0.75–2.5 mm² rigid or flexible conductors.

REFERENCE	PACKAGING OPTIONS
ETM880SQ	1PCS



1.0 module 1-way socket, 0°, without shutter

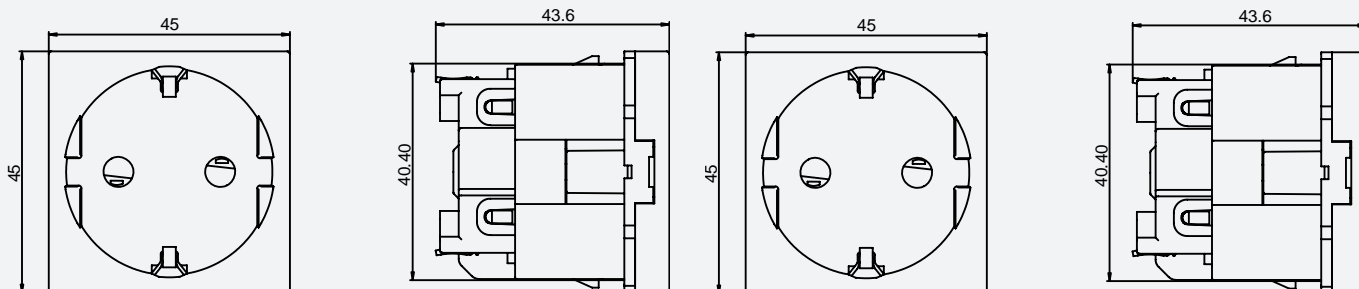
ETM880SQ **IP20** **PC** **HALOGEN FREE**

Colour: white, black, red
 Technical data: 16A 250V 50Hz
 Complies with the standard(s): IEC60884-1,
 Fire hazard test: 850°C (IEC60695-2-11)
 ISO certifications: ISO 9001, ISO 14001, ISO 45001
 Certificates: Semko
 Conforms with: RoHS, WEEE
 Working temperature indoor: -25°C to +60°C
 Installation temperature: -5°C to +25°C

45mm series trunking module socket without shutter, designed for fixing cable conduit sockets in household, commercial, and industrial installations. Matches 45mm profile and fits F80 profiles via adaptor. Offers 0° orientation with improved screwless terminals for 0.75–2.5 mm² rigid or flexible conductors.

REFERENCE	PACKAGING OPTIONS
ETM880SQ	1PCS

Technical drawings





1.0 module 1-way socket, 45°, with shutter

ETM881SQ **IP20** **PC** **HALOGEN FREE**

Colour: white, black, red
 Technical data: 16A 250V 50Hz
 Complies with the standard(s): IEC60884-1,
 Fire hazard test: 850°C (IEC60695-2-11)
 ISO certifications: ISO 9001, ISO 14001, ISO 45001
 Certificates: Semko
 Conforms with: RoHS, WEEE
 Working temperature indoor: -25°C to +60°C
 Installation temperature: -5°C to +25°C

45mm series trunking module socket with shutter, designed for fixing cable conduit sockets in household, commercial, and industrial installations. Matches 45mm profile and fits F80 profiles via adaptor. Offers 45° orientation with improved screwless terminals for 0.75–2.5 mm² rigid or flexible conductors.

REFERENCE	PACKAGING OPTIONS
ETM881SQ	1PCS



1.0 module 1-way socket, 45°, without shutter

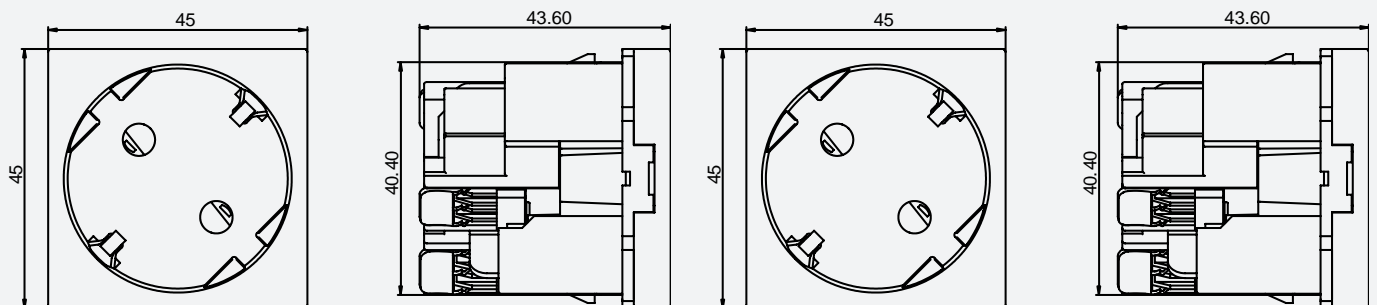
ETM881SQ **IP20** **PC** **HALOGEN FREE**

Colour: white, black, red
 Technical data: 16A 250V 50Hz
 Complies with the standard(s): IEC60884-1,
 Fire hazard test: 850°C (IEC60695-2-11)
 ISO certifications: ISO 9001, ISO 14001, ISO 45001
 Certificates: Semko
 Conforms with: RoHS, WEEE
 Working temperature indoor: -25°C to +60°C
 Installation temperature: -5°C to +25°C

45mm series trunking module socket without shutter, designed for fixing cable conduit sockets in household, commercial, and industrial installations. Matches 45mm profile and fits F80 profiles via adaptor. Offers 45° orientation with improved screwless terminals for 0.75–2.5 mm² rigid or flexible conductors.

REFERENCE	PACKAGING OPTIONS
ETM881SQ	1PCS

Technical drawings



USB and socket modules



1.0 module 1-way emergency socket, 0°, with shutter

ETM882SQ **IP20** **PC** **HALOGEN FREE**

Colour: white, black, red
 Technical data: 16A 250V 50Hz
 Complies with the standard(s): IEC60884-1,
 Fire hazard test: 850°C (IEC60695-2-11)
 ISO certifications: ISO 9001, ISO 14001, ISO 45001
 Certificates: Semko
 Conforms with: RoHS, WEEE
 Working temperature indoor: -25°C to +60°C
 Installation temperature: -5°C to +25°C

45mm series trunking module emergency socket for critical power supply in hospitals, emergency lighting, and other essential applications. Compatible with 45mm and F80 profiles via adaptor. Prevents use with standard plugs - requires matching accessory for access (ETM883S). Available in 0° orientation with improved screwless terminals for 0.75–2.5 mm² rigid or flexible conductors.

REFERENCE	PACKAGING OPTIONS
ETM882SQ	1PCS



2-way socket, 35°, with shutter

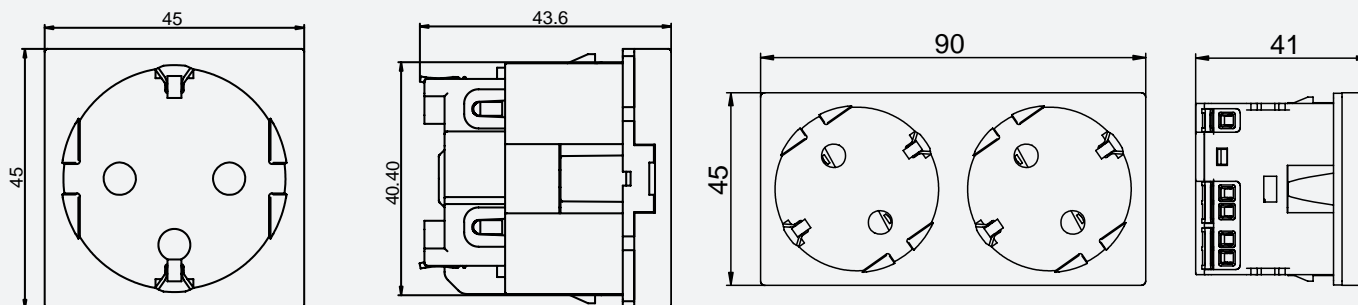
ETM884SQ **IP20** **PC** **HALOGEN FREE**

Colour: white, black, red
 Technical data: 16A 250V 50Hz
 Complies with the standard(s): IEC60884-1,
 Fire hazard test: 850°C (IEC60695-2-11)
 ISO certifications: ISO 9001, ISO 14001, ISO 45001
 Certificates: Semko
 Conforms with: RoHS, WEEE
 Working temperature indoor: -25°C to +60°C
 Installation temperature: -5°C to +25°C

45 series two-way socket for cable conduit installations in residential, public, and industrial settings, indoors or outdoors. Matches 45mm profile, fits F80 profiles via adaptor, and offers 35° orientation. Features improved screwless terminals for 1.5–2.5 mm² rigid solid or stranded conductors. Multiple 2-way sockets can be linked using connecting piece ETM896S. Thermoplastic cover with shutter ensures safety and durability.

REFERENCE	PACKAGING OPTIONS
ETM884SQ	1PCS

Technical drawings





3-way socket, 35°, with shutter

ETM885SQ IP20 PC HALOGEN FREE

Colour: white, black, red
 Technical data: 16A 250V 50Hz
 Complies with the standard(s): IEC60884-1,
 Fire hazard test: 850°C (IEC60695-2-11)
 ISO certifications: ISO 9001, ISO 14001, ISO 45001
 Certificates: Semko
 Conforms with: RoHS, WEEE
 Working temperature indoor: -25°C to +60°C
 Installation temperature: -5°C to +25°C

45 series three-way socket for cable conduit installations in residential, public, and industrial settings, indoors or outdoors. Matches 45mm profile, fits F80 profiles via adaptor, and offers 35° orientation. Features improved screwless terminals for 1.5-2.5 mm² rigid solid or stranded conductors. Multiple 2-way and 3-way sockets can be linked using connecting piece ETM896S. Thermoplastic cover with shutter ensures safety and durability.

REFERENCE	PACKAGING OPTIONS
ETM885SQ	1PCS



Emergency socket accessory

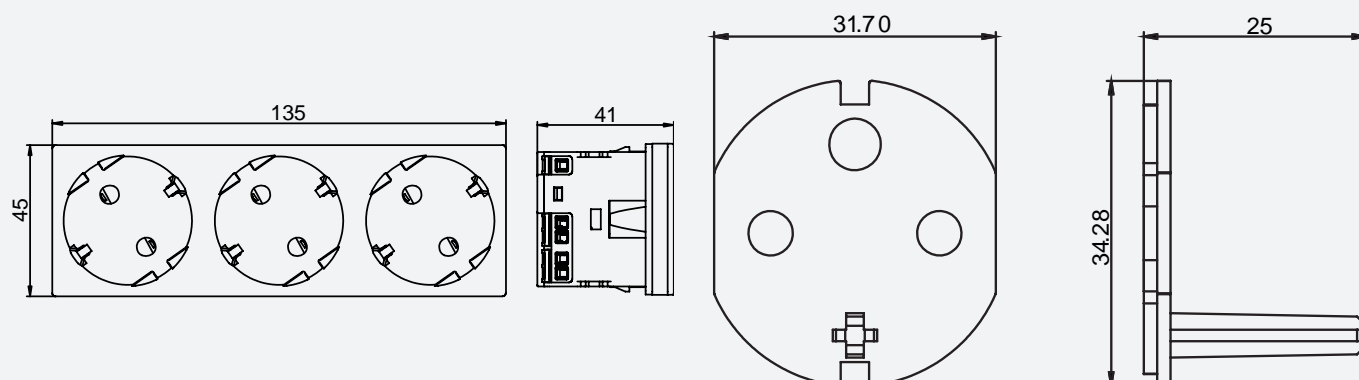
ETM883S IP20 PC HALOGEN FREE

Colour: red
 Complies with the standard(s): IEC60884-1,
 Fire hazard test: 850°C (IEC60695-2-11)
 ISO certifications: ISO 9001, ISO 14001, ISO 45001
 Certificates: Semko
 Conforms with: RoHS, WEEE
 Working temperature indoor: -25°C to +60°C
 Installation temperature: -5°C to +25°C

Emergency socket accessory designed to enable standard plugs to connect to emergency sockets, granting access to reserve power sources during outages and critical situations. Ideal for powering essential devices when normal supply is unavailable. Durable construction ensures reliable use in emergency conditions.

REFERENCE	PACKAGING OPTIONS
ETM883S	1PCS

Technical drawings



USB and socket modules



Connecting antenna for 2-way and 3-way sockets, short

ETM896S IP20 PC HALOGEN FREE

Colour: white
 Complies with the standard(s): IEC60884-1,
 Fire hazard test: 850°C (IEC60695-2-11)
 ISO certifications: ISO 9001, ISO 14001, ISO 45001
 Certificates: Semko
 Conforms with: RoHS, WEEE
 Working temperature indoor: -25°C to +60°C
 Installation temperature: -5°C to +25°C

A short connecting antenna for 2-way and 3-way socket modules, enabling secure electrical linking between modules. Designed for quick installation and reliable performance in modular socket systems.

REFERENCE	PACKAGING OPTIONS
ETM896S	1PCS



Connecting antenna for 2-way and 3-way sockets, long

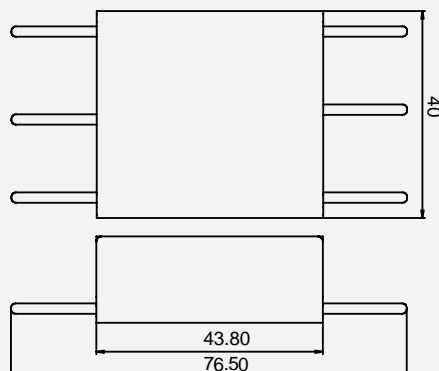
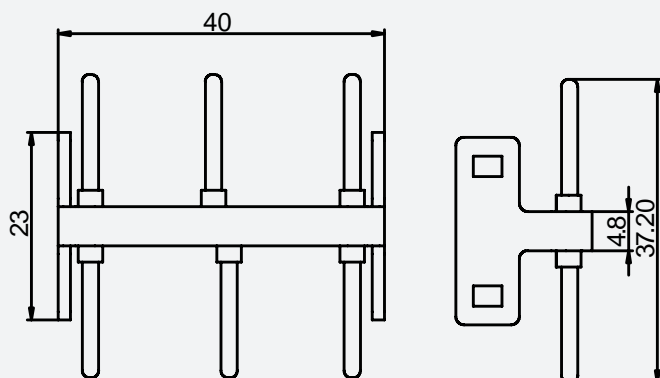
ETM897S IP20 PC HALOGEN FREE

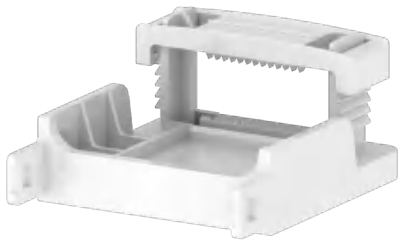
Colour: white
 Complies with the standard(s): IEC60884-1,
 Fire hazard test: 850°C (IEC60695-2-11)
 ISO certifications: ISO 9001, ISO 14001, ISO 45001
 Certificates: Semko
 Conforms with: RoHS, WEEE
 Working temperature indoor: -25°C to +60°C
 Installation temperature: -5°C to +25°C

A long connecting antenna for 2-way and 3-way socket modules, enabling secure electrical linking between modules. Designed for quick installation and reliable performance in modular socket systems.

REFERENCE	PACKAGING OPTIONS
ETM897S	1PCS

Technical drawings





Strain relief

ETM898S

IP20

PC

HALOGEN FREE

Colour: white

Complies with the standard(s): IEC60884-1,

Fire hazard test: 850°C (IEC60695-2-11)

ISO certifications: ISO 9001, ISO 14001, ISO 45001

Certificates: Semko

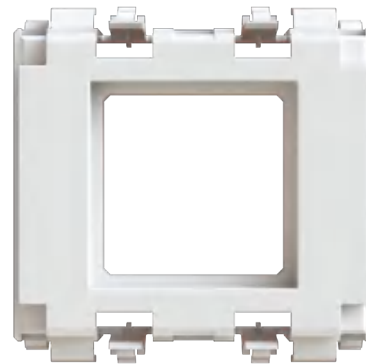
Conforms with: RoHS, WEEE

Working temperature indoor: -25°C to +60°C

Installation temperature: -5°C to +25°C

Strain relief for trunking module sockets, designed to securely hold and protect cables during and after installation. Suitable for wire specifications 3×1.5 mm², 3×2.5 mm², 5×1.5 mm², and 5×2.5 mm², ensuring safe, stable, and durable cable connections in various applications.

REFERENCE	PACKAGING OPTIONS
ETM898S	1PCS



Adaptor for F80 profiles

IP20

PC

HALOGEN FREE

Colour: white

Complies with the standard(s): IEC60884-1,

Fire hazard test: 850°C (IEC60695-2-11)

ISO certifications: ISO 9001, ISO 14001, ISO 45001

Certificates: Semko

Conforms with: RoHS, WEEE

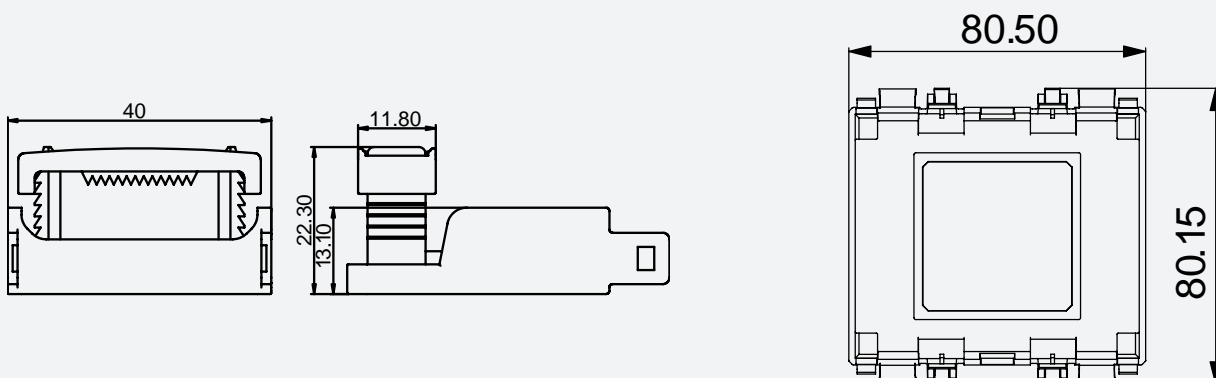
Working temperature indoor: -25°C to +60°C

Installation temperature: -5°C to +25°C

Adaptor designed to enable the installation of 45 mm modules in F80 trunking channels. Provides a secure and precise fit, ensuring compatibility between systems while maintaining a clean, professional finish for electrical installations in residential, commercial, and industrial environments.

REFERENCE	PACKAGING OPTIONS
	1PCS

Technical drawings



USB and socket modules



Switch for trunking systems

IP20

PC

HALOGEN FREE

Colour: white

Complies with the standard(s): IEC60884-1,

Fire hazard test: 850°C (IEC60695-2-11)

ISO certifications: ISO 9001, ISO 14001, ISO 45001

Certificates: Semko

Conforms with: RoHS, WEEE

Working temperature indoor: -25°C to +60°C

Installation temperature: -5°C to +25°C

0.5 trunking module switch, available in single-control or double-control versions. Rated at 250V~16A, measuring 45×22.5 mm. Equipped with durable screw terminals for secure wiring. Designed for reliable switching in residential, commercial, and industrial trunking installations.

REFERENCE	PACKAGING OPTIONS
	1PCS



0.5 module RJ45

IP20

PC

HALOGEN FREE

Colour: white

Complies with the standard(s): IEC60884-1,

Fire hazard test: 850°C (IEC60695-2-11)

ISO certifications: ISO 9001, ISO 14001, ISO 45001

Certificates: Semko

Conforms with: RoHS, WEEE

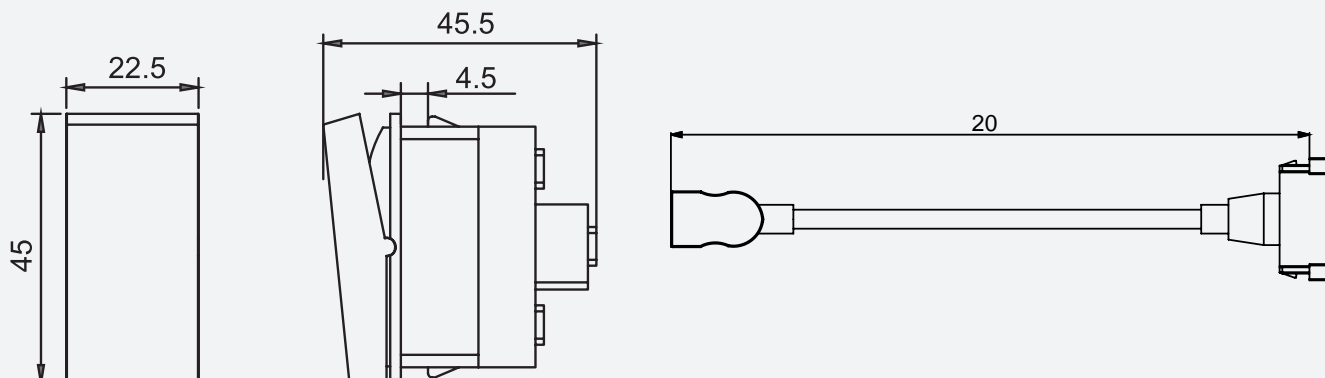
Working temperature indoor: -25°C to +60°C

Installation temperature: -5°C to +25°C

0.5 trunking module RJ45 cover with shutter lid. Designed to protect RJ45 ports from dust and damage while maintaining easy access. Fits standard 45×22.5 mm trunking modules, ensuring a neat, secure finish for network installations.

REFERENCE	PACKAGING OPTIONS
	1PCS

Technical drawings





1.0 module RJ45

IP20 **HALOGEN FREE**

Colour: white
 Complies with the standard(s): IEC60884-1,
 Fire hazard test: 850°C (IEC60695-2-11)
 ISO certifications: ISO 9001, ISO 14001, ISO 45001
 Certificates: Semko
 Conforms with: RoHS, WEEE
 Working temperature indoor: -25°C to +60°C
 Installation temperature: -5°C to +25°C

1.0 trunking module RJ45 cover with shutter lid. Protects RJ45 connectors from dust and debris while allowing easy access. Designed for standard 45×45 mm trunking modules, providing a clean, secure finish for professional network installations.

REFERENCE	PACKAGING OPTIONS
	1PCS



Fast charging USB cables

ETM700AC **PVC** **BRAIDED**

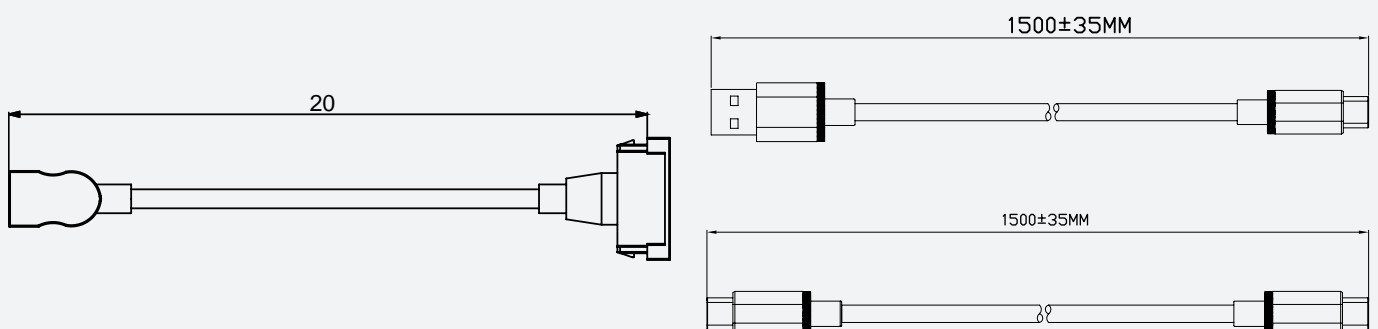
ETM700CC

Colour: white, braided
 Length: 1.5m
 Charging current: 5A
 Data transfer: 480Mbps
 Safety features: overheating protection
 Durability: mating and unmating 10000 cycles minimum
 Conforms with: CE, RoHS, REACH
 Operating temperature: -55°C to 85°C

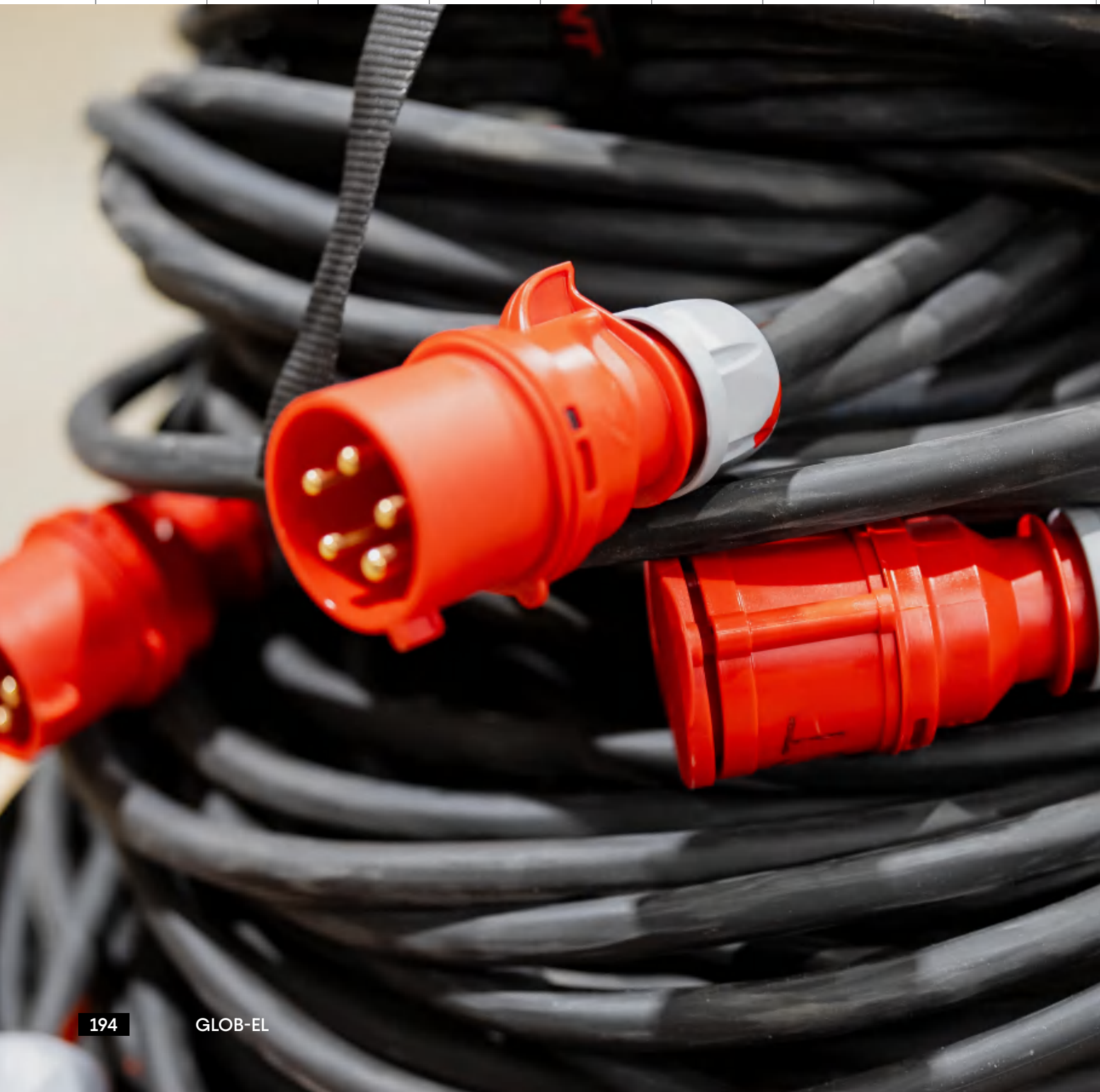
Fast-charging USB cables designed for performance and durability. Available in Type-C to Type-A and Type-C to Type-C, each cable is 1.5m long, white braided, and supports 5A charging current with 480Mbps data transfer. Built with overheating protection and tested for 10,000+ mating cycles.

REFERENCE	PACKAGING OPTIONS	
ETM700AC	1PCS	8PCS
ETM700CC	1PCS	8PCS

Technical drawings



Industrial plugs, sockets & power distribution units



In demanding industrial environments, power connections must be tough, reliable, and ready for anything. Our industrial product range is built to perform under pressure, ensuring your operations run smoothly, safely, and without compromise.

From robust rewireable plugs and sockets to IP44-rated products designed to withstand dust and splashes, we provide solutions that meet the highest safety and performance standards.

Our extension cords and accessories deliver flexible, dependable connections, while our industrial-type plugs and sockets handle heavy-duty loads with ease.

When mobility and reach are essential, our cable reels keep power where you need it, tangle-free and organised. For larger setups, our power distribution boxes and under and main centres offer efficient, safe power management in even the most challenging environments.

Every product in this range is engineered for durability, compliance, and ease of installation - ensuring you get maximum performance with minimum downtime. Whether you're on the factory floor, a construction site, or in a workshop, you can count on our industrial solutions to keep the power flowing.

PRODUCT RANGE



HIGH IP RATED PRODUCTS

Built for demanding environments, our products offer high IP ratings to ensure reliable protection against dust, water, and other challenging conditions.

Plugs and sockets



Rewireable plug IP44

ACP100244 IP44

Colour: black
 Complies with the standard(s): IEC60670-1,
 Fire hazard test: 850°C (IEC60695-2-11)
 ISO certifications: ISO 9001, ISO 14001, ISO 45001
 Certificates: CE
 Conforms with: LVD, RoHS, WEEE

This rewirable plug offers IP44 protection and a robust, earthed straight design for secure connections. Engineered to resist cold temperatures down to minus 30 degrees Celsius, it ensures reliable performance in harsh conditions. Its black housing provides a clean, professional look suitable for demanding industrial and outdoor use.

REFERENCE	PACKAGING OPTIONS
ACP100244	1PCS



Rewireable socket IP44

ACJ101044 IP44

Colour: red
 Complies with the standard(s): IEC60670-1,
 Fire hazard test: 850°C (IEC60695-2-11)
 ISO certifications: ISO 9001, ISO 14001, ISO 45001
 Certificates: CE
 Conforms with: LVD, RoHS, WEEE

The rewirable socket combines IP44 protection with durable cold resistance down to minus 30 degrees Celsius. Featuring a secure spring lid and grounding for safe operation, it delivers reliable performance in tough environments. The red housing ensures high visibility, making it ideal for industrial and outdoor applications where safety is paramount.

REFERENCE	PACKAGING OPTIONS
ACJ101044	1PCS



Rewireable socket IP44 without child protection

ETM212S-1 **IP44**

Colour: red, yellow
 Complies with the standard(s): IEC60670-1,
 Fire hazard test: 850°C (IEC60695-2-11)
 ISO certifications: ISO 9001, ISO 14001, ISO 45001
 Certificates: CE
 Conforms with: LVD, RoHS, WEEE

This rewirable socket offers IP44 protection and reliable cold resistance down to minus 30 degrees Celsius. Equipped with a spring lid and earthing for safe connections, it comes in red and yellow for clear visibility on site. Designed without child protection, it is ideal for controlled industrial and outdoor environment

REFERENCE	PACKAGING OPTIONS
ETM212S-1	1PCS



Rewireable socket IP44 with child protection

ETM212S **IP44**

Colour: red, yellow
 Complies with the standard(s): IEC60670-1,
 Fire hazard test: 850°C (IEC60695-2-11)
 ISO certifications: ISO 9001, ISO 14001, ISO 45001
 Certificates: CE
 Conforms with: LVD, RoHS, WEEE

This rewirable socket offers IP44 protection and reliable cold resistance down to minus 30 degrees Celsius. Equipped with a spring lid and earthing for safe connections, it comes in red and yellow for clear visibility on site. Designed with child protection, it is ideal for controlled industrial and outdoor environment

REFERENCE	PACKAGING OPTIONS
ETM212S	1PCS

Plugs and sockets



Rewireable rubber plug IP44

ETM227S

IP44

Colour: black, yellow, orange
 Complies with the standard(s): IEC60670-1,
 Fire hazard test: 850°C (IEC60695-2-11)
 ISO certifications: ISO 9001, ISO 14001, ISO 45001
 Certificates: CE
 Conforms with: LVD, RoHS, WEEE

The rewirable plug delivers IP44 protection and exceptional cold resistance down to minus 35 degrees Celsius. Made from durable rubber, it ensures a secure grip and long-lasting performance in demanding conditions. Available in black, yellow, and orange for easy identification.

REFERENCE	PACKAGING OPTIONS
ETM227S	1PCS



Rewireable rubber socket IP44, German

ETM228S

IP44

Colour: black, yellow, orange
 Complies with the standard(s): IEC60670-1,
 Fire hazard test: 850°C (IEC60695-2-11)
 ISO certifications: ISO 9001, ISO 14001, ISO 45001
 Certificates: CE
 Conforms with: LVD, RoHS, WEEE

This German-type rewirable socket combines IP44 protection with outstanding cold resistance down to minus 35 degrees Celsius. Constructed from durable rubber for a secure, non-slip grip, it ensures safe and reliable power connections in harsh conditions. Available in black, yellow, and orange colours.

REFERENCE	PACKAGING OPTIONS
ETM228S	1PCS



Extension cord IP44, German

ACPW38

IP44

Colour: black

Complies with the standard(s): IEC60670-1,

Fire hazard test: 850°C (IEC60695-2-11)

ISO certifications: ISO 9001, ISO 14001, ISO 45001

Certificates: CE

Conforms with: LVD, RoHS, WEEE

The German-type extension cord delivers IP44 protection and reliable cold resistance down to minus 35 degrees Celsius. Made from durable rubber in black, it ensures safe power supply in tough conditions. Available in H05RN-F, H05RR-F, and H07RN-F 3G1.5mm² cables, with lengths from 5 to 50 metres for versatile industrial and outdoor use.

REFERENCE	DESCRIPTION	LENGTH
ACPW38	H05RN-F 3G1.5mm ²	5m
ACPW38	H05RN-F 3G1.5mm ²	10m
ACPW38	H05RN-F 3G1.5mm ²	15m
ACPW38	H05RR-F 3G1.5mm ²	20m
ACPW38	H05RR-F 3G1.5mm ²	25m
ACPW38	H05RR-F 3G1.5mm ²	50m
ACPW38	H05RN-F 3G1.5mm ²	5m
ACPW38	H05RN-F 3G1.5mm ²	10m
ACPW38	H05RN-F 3G1.5mm ²	15m
ACPW38	H05RN-F 3G1.5mm ²	20m
ACPW38	H05RN-F 3G1.5mm ²	25m
ACPW38	H05RN-F 3G1.5mm ²	50m



Rubber extension cord IP44 with spring lid

ACPW37+ACJ101044

IP44

Colour: black cable, red socket

Complies with the standard(s): IEC60670-1,

Fire hazard test: 850°C (IEC60695-2-11)

ISO certifications: ISO 9001, ISO 14001, ISO 45001

Certificates: CE

Conforms with: LVD, RoHS, WEEE

This rubber extension cord offers IP44 protection and dependable cold resistance down to minus 35 degrees Celsius. The black cable is flexible yet robust for tough environments. Available in H05RR-F and H07RN-F 3G1.5mm², in lengths from 10 to 50 metres. The socket includes a spring lid for added safety in outdoor and industrial use.

REFERENCE	DESCRIPTION	LENGTH
ACPW37+ACJ101044	H05RR-F 3G1.5mm ²	15m
ACPW37+ACJ101044	H05RR-F 3G1.5mm ²	20m
ACPW37+ACJ101044	H05RR-F 3G1.5mm ²	25m
ACPW37+ACJ101044	H05RR-F 3G1.5mm ²	50m
ACPW37+ACJ101044	H07RN-F 3G1.5mm ²	10m
ACPW37+ACJ101044	H07RN-F 3G1.5mm ²	15m
ACPW37+ACJ101044	H07RN-F 3G1.5mm ²	20m

Plugs and sockets



Two-way rubber extension cord IP44 with spring lid

ACPW37+ETM212S-1 IP44

Colour: black cable, red socket
 Complies with the standard(s): IEC60670-1,
 Fire hazard test: 850°C (IEC60695-2-11)
 ISO certifications: ISO 9001, ISO 14001, ISO 45001
 Certificates: CE
 Conforms with: LVD, RoHS, WEEE

This two-way rubber extension cord ensures IP44 protection and reliable cold resistance down to minus 35 degrees Celsius. Designed in black for a professional look, it comes in H05RR-F and H07RN-F 3G1.5mm² cables, with lengths from 10 to 50 metres. Each socket features a spring lid for safe, weather-resistant connections in demanding conditions.

REFERENCE	DESCRIPTION	LENGTH
ACPW37+ETM212S-1	H05RR-F 3G1.5mm ²	15m
ACPW37+ETM212S-1	H05RR-F 3G1.5mm ²	20m
ACPW37+ETM212S-1	H05RR-F 3G1.5mm ²	25m
ACPW37+ETM212S-1	H05RR-F 3G1.5mm ²	50m
ACPW37+ETM212S-1	H07RN-F 3G1.5mm ²	10m
ACPW37+ETM212S-1	H07RN-F 3G1.5mm ²	15m
ACPW37+ETM212S-1	H07RN-F 3G1.5mm ²	20m



Protection box

833199 IP44

Colour: red
 Complies with the standard(s): IEC60670-1,
 Fire hazard test: 850°C (IEC60695-2-11)
 ISO certifications: ISO 9001, ISO 14001, ISO 45001
 Certificates: CE
 Conforms with: LVD, RoHS, WEEE

A robust protective box keeps extension cables safe and organised outdoors. With an IP44 rating, it shields against water splashes and dust, ensuring reliable performance in gardens, on construction sites, or during outdoor events. Built to withstand heavy use, its bright red colour offers high visibility, reducing trip hazards and improving site safety.

REFERENCE	PACKAGING OPTIONS
833199	1PCS



Industrial plug IP44

IP44

Colour: blue

Complies with the standard(s): IEC60670-1,

Fire hazard test: 850°C (IEC60695-2-11)

ISO certifications: ISO 9001, ISO 14001, ISO 45001

Certificates: CE

Conforms with: LVD, RoHS, WEEE

This industrial plug combines durability with reliable IP44 protection for safe connections in demanding environments. Available in blue, it comes in 16A and 32A versions with 6h and 9h configurations. Options include 2P+E and 3P+E, providing flexibility for various power needs. Ideal for workshops, construction sites, and temporary outdoor installations.

REFERENCE	DESCRIPTION
83600400	16A 230V, 216-6, 2P+E, 6h
83600500	16A 230V, 316-9, 3P+E, 9h
83600600	32A 230V, 332-9, 3P+E, 9h



Industrial plug IP44

IP44

Colour: red

Complies with the standard(s): IEC60670-1,

Fire hazard test: 850°C (IEC60695-2-11)

ISO certifications: ISO 9001, ISO 14001, ISO 45001

Certificates: CE

Conforms with: LVD, RoHS, WEEE

This industrial plug offers robust IP44 protection for secure and reliable power connections in harsh conditions. Finished in red for easy identification, it is available in 16A and 32A versions with a 6h configuration. Options include 3P+E and 3P+N+E, making it ideal for industrial, commercial, and outdoor power distribution.

REFERENCE	DESCRIPTION
83600700	16A 400V, 316-6, 3P+E, 6h
83600800	16A 400V, 416-6, 3P+N+E, 6h
83600900	32A 400V, 332-6, 3P+E, 6h
83601000	32A 400V, 432-6, 3P+N+E, 6h

Plugs and sockets



Industrial socket IP44

IP44

Colour: blue
 Complies with the standard(s): IEC60670-1,
 Fire hazard test: 850°C (IEC60695-2-11)
 ISO certifications: ISO 9001, ISO 14001, ISO 45001
 Certificates: CE
 Conforms with: LVD, RoHS, WEEE

The industrial socket combines durability with reliable IP44 protection for safe connections in demanding environments. Available in blue, it comes in 16A and 32A versions with 6h and 9h configurations. Options include 2P+E and 3P+E, providing flexibility for various power needs. Ideal for workshops, construction sites, and temporary outdoor installations.

REFERENCE	DESCRIPTION
83601100	16A 230V, 216-6, 2P+E, 6h
83601200	16A 230V, 316-9, 3P+E, 9h
83601300	32A 230V, 332-9, 3P+E, 9h



Industrial socket IP44

IP44

Colour: red
 Complies with the standard(s): IEC60670-1,
 Fire hazard test: 850°C (IEC60695-2-11)
 ISO certifications: ISO 9001, ISO 14001, ISO 45001
 Certificates: CE
 Conforms with: LVD, RoHS, WEEE

This industrial socket offers robust IP44 protection for secure and reliable power connections in harsh conditions. Finished in red for easy identification, it is available in 16A and 32A versions with a 6h configuration. Options include 3P+E and 3P+N+E, making it ideal for industrial, commercial, and outdoor power distribution.

REFERENCE	DESCRIPTION
83601400	16A 400V, 316-6, 3P+E, 6h
83601500	16A 400V, 416-6, 3P+N+E, 6h
83601600	32A 400V, 332-6, 3P+E, 6h
83601700	32A 400V, 432-6, 3P+N+E, 6h



Industrial plug IP44

IP44

Colour: blue

Complies with the standard(s): IEC60670-1,

Fire hazard test: 850°C (IEC60695-2-11)

ISO certifications: ISO 9001, ISO 14001, ISO 45001

Certificates: CE

Conforms with: LVD, RoHS, WEEE

This industrial plug combines durability with reliable IP44 protection for safe connections in demanding environments. Available in blue, it comes in 16A and 32A versions with 6h and 9h configurations. Options include 2P+E and 3P+E, providing flexibility for various power needs. Ideal for workshops, construction sites, and temporary outdoor installations.

REFERENCE	DESCRIPTION
83601800	16A 230V, 216-6, 2P+E, 6h
83601900	16A 230V, 316-9, 3P+E, 9h
83602000	32A 230V, 332-9, 3P+E, 9h



Industrial plug IP44

IP44

Colour: red

Complies with the standard(s): IEC60670-1,

Fire hazard test: 850°C (IEC60695-2-11)

ISO certifications: ISO 9001, ISO 14001, ISO 45001

Certificates: CE

Conforms with: LVD, RoHS, WEEE

This industrial plug offers robust IP44 protection for secure and reliable power connections in harsh conditions. Finished in red for easy identification, it is available in 16A and 32A versions with a 6h configuration. Options include 3P+E and 3P+N+E, making it ideal for industrial, commercial, and outdoor power distribution.

REFERENCE	DESCRIPTION
83602100	16A 400V, 316-6, 3P+E, 6h
83602200	16A 400V, 416-6, 3P+N+E, 6h
83602300	32A 400V, 332-6, 3P+E, 6h
83602400	32A 400V, 432-6, 3P+N+E, 6h

Plugs and sockets



Industrial socket IP44

IP44

Colour: blue

Complies with the standard(s): IEC60670-1,

Fire hazard test: 850°C (IEC60695-2-11)

ISO certifications: ISO 9001, ISO 14001, ISO 45001

Certificates: CE

Conforms with: LVD, RoHS, WEEE

The industrial socket combines durability with reliable IP44 protection for safe connections in demanding environments. Available in blue, it comes in 16A and 32A versions with 6h and 9h configurations. Options include 2P+E and 3P+E, providing flexibility for various power needs. Ideal for workshops, construction sites, and temporary outdoor installations.

REFERENCE	DESCRIPTION
83602500	16A 230V, 216-6, 2P+E, 6h
83602600	16A 230V, 316-9, 3P+E, 9h
83602700	32A 230V, 332-9, 3P+E, 9h



Industrial socket IP44

IP44

Colour: red

Complies with the standard(s): IEC60670-1,

Fire hazard test: 850°C (IEC60695-2-11)

ISO certifications: ISO 9001, ISO 14001, ISO 45001

Certificates: CE

Conforms with: LVD, RoHS, WEEE

This industrial socket offers robust IP44 protection for secure and reliable power connections in harsh conditions. Finished in red for easy identification, it is available in 16A and 32A versions with a 6h configuration. Options include 3P+E and 3P+N+E, making it ideal for industrial, commercial, and outdoor power distribution.

REFERENCE	DESCRIPTION
83602800	16A 400V, 316-6, 3P+E, 6h
83602900	16A 400V, 416-6, 3P+N+E, 6h
83603000	32A 400V, 332-6, 3P+E, 6h
83603100	32A 400V, 432-6, 3P+N+E, 6h



Cable reel

IP44

PC

HALOGEN FREE

Colour: black
 Frequency: 50Hz
 Volts of alternating current: 250VAC
 Complies with the standard(s): EN61242,
 Fire hazard test: 850°C (IEC60695-2-11)
 ISO certifications: ISO 9001, ISO 14001, ISO 45001
 Certificates: CE, VDE for cable
 Conforms with: LVD, RoHS, WEEE
 Working temperature: -25°C to +60°C
 Installation temperature: -5°C to +25°C

This durable cable reel is designed for safe and efficient power distribution. It features four Schuko sockets and supports a load of up to 2800W with the cable fully extended and 1000W when fully reeled. Available with robust H07RN-F 3G1.5mm² or 3G2.5mm² cable, it is ideal for demanding work environments.

REFERENCE	DESCRIPTION	LENGTH
83511525	H07RN-F 3G1.5mm ²	25m
83511540	H07RN-F 3G1.5mm ²	40m
83512525	H07RN-F 3G2.5mm ²	25m



Heavy-duty cable reel

IP44

PC

HALOGEN FREE

Colour: black
 Frequency: 50Hz
 Volts of alternating current: 250VAC
 Complies with the standard(s): EN61242,
 Fire hazard test: 850°C (IEC60695-2-11)
 ISO certifications: ISO 9001, ISO 14001, ISO 45001
 Certificates: CE, VDE for cable
 Conforms with: LVD, RoHS, WEEE
 Working temperature: -25°C to +60°C
 Installation temperature: -5°C to +25°C

The heavy-duty cable reel is built for reliable power distribution on demanding sites. It supports up to 2800W when fully extended and 1000W when fully reeled. Equipped with three Schuko sockets, one CEE socket (416-6, 3P+N+E, 6h), and a matching CEE plug, it uses a robust H07RN-F 5G2.5mm² cable for safe, high-capacity connections.

REFERENCE	DESCRIPTION	LENGTH
83513525	H07RN-F 5G2.5mm ²	25m

Plugs and sockets



Industrial power accessory IP44

IP44

Colour: red
 Complies with the standard(s): IEC60670-1,
 Fire hazard test: 850°C (IEC60695-2-11)
 ISO certifications: ISO 9001, ISO 14001, ISO 45001
 Certificates: CE
 Conforms with: LVD, RoHS, WEEE

This industrial power accessory ensures safe and flexible power distribution on demanding sites. It features a robust H07RN-F 3G2.5mm² or 3G1.5mm² cable with a 400V 416-6 plug on one end and a two-way 250V Schuko socket on the other. Ideal for connecting multiple tools or devices with reliable, heavy-duty performance.

REFERENCE	DESCRIPTION	LENGTH
83610300	H07RN-F 3G2.5mm ² , 400V 416-6 plug to two-way 250V Schuko socket	1m
83610308	H07RN-F 3G1.5mm ² , 400V 416-6 plug to two-way 250V Schuko socket	0.8m



Industrial power accessory IP44

IP44

Colour: red and blue
 Complies with the standard(s): IEC60670-1,
 Fire hazard test: 850°C (IEC60695-2-11)
 ISO certifications: ISO 9001, ISO 14001, ISO 45001
 Certificates: CE
 Conforms with: LVD, RoHS, WEEE

The industrial power accessory provides a safe and practical solution for connecting equipment in demanding environments. It features a durable H07RN-F 3G2.5mm² cable with either a 230V 316-6 or 230V 216-6 plug on one end and a 250V Schuko socket on the other.

REFERENCE	DESCRIPTION	LENGTH
83610400	H07RN-F 3G2.5mm ² , 230V 316-6 plug to two-way 250V Schuko socket	1m
83610000	H07RN-F 3G2.5mm ² , 230V 216-6 plug to two-way 250V Schuko socket	1.5m



Industrial power accessory IP44

IP44

Colour: red and yellow
 Complies with the standard(s): IEC60670-1,
 Fire hazard test: 850°C (IEC60695-2-11)
 ISO certifications: ISO 9001, ISO 14001, ISO 45001
 Certificates: CE
 Conforms with: LVD, RoHS, WEEE

This industrial power accessory delivers reliable power conversion for demanding worksites. It features a robust H07RN-F 3G2.5mm² cable with a 400V 416-6 plug and a three-way 250V Schuko socket. Designed for safe and efficient power distribution, it allows multiple devices to run simultaneously, making it ideal for industrial, construction, and outdoor use.

REFERENCE	DESCRIPTION	LENGTH
83612201	H07RN-F 3G2.5mm ² , 400V 416-6 plug to three-way 250V Schuko socket	1m



Industrial power accessory IP44

IP44

Colour: blue and yellow
 Complies with the standard(s): IEC60670-1,
 Fire hazard test: 850°C (IEC60695-2-11)
 ISO certifications: ISO 9001, ISO 14001, ISO 45001
 Certificates: CE
 Conforms with: LVD, RoHS, WEEE

This industrial power accessory ensures safe and efficient power distribution in tough environments. It is equipped with a durable H07RN-F 3G2.5mm² cable, a 230V 316-6 plug, and a three-way 250V Schuko socket. Ideal for connecting multiple tools or devices, it delivers reliable performance for industrial, construction, and outdoor applications.

REFERENCE	DESCRIPTION	LENGTH
83612301	H07RN-F 3G2.5mm ² , 230V 316-6 plug to three-way 250V Schuko socket	1m

Plugs and sockets



Industrial power accessory IP44

IP44

Colour: blue and black
 Complies with the standard(s): IEC60670-1,
 Fire hazard test: 850°C (IEC60695-2-11)
 ISO certifications: ISO 9001, ISO 14001, ISO 45001
 Certificates: CE
 Conforms with: LVD, RoHS, WEEE

The accessory provides a practical and safe connection for various job sites. It features a rugged H07RN-F 3G2.5mm² or 3G1.5mm² cable with a 230V 216-6 plug on one end and a single 230V Schuko socket on the other. Built for durability and reliable power transfer, it is ideal for industrial and outdoor use.

REFERENCE	DESCRIPTION	LENGTH
83610500	H07RN-F 3G1.5mm ² , 230V 216-6 plug to one-way 230V Schuko socket	1.5m
83610503	H07RN-F 3G1.5mm ² , 230V 216-6 plug to one-way 230V Schuko socket	0.5m
83610501	H07RN-F 3G2.5mm ² , 230V 216-6 plug to one-way 230V Schuko socket	0.5m
83610502	H07RN-F 3G2.5mm ² , 230V 216-6 plug to one-way 230V Schuko socket	1.5m



Industrial power accessory IP44

IP44

Colour: blue and black
 Complies with the standard(s): IEC60670-1,
 Fire hazard test: 850°C (IEC60695-2-11)
 ISO certifications: ISO 9001, ISO 14001, ISO 45001
 Certificates: CE
 Conforms with: LVD, RoHS, WEEE

The accessory is designed for safe and reliable power conversion in demanding environments. It features a durable H07RN-F 3G2.5mm² or 3G1.5mm² cable with a 230V 216-6 socket on one end and a 230V Schuko plug on the other. Ideal for adapting power connections quickly and securely on industrial or construction sites.

REFERENCE	DESCRIPTION	LENGTH
83610600	H07RN-F 3G2.5mm ² , 230V 216-6 socket to 230V Schuko plug	0.5m
83610601	H07RN-F 3G2.5mm ² , 230V 216-6 socket to 230V Schuko plug	1.5m
83610602	H07RN-F 3G1.5mm ² , 230V 216-6 socket to 230V Schuko plug	1.5m



Industrial power accessory IP44

IP44

Colour: blue and black

Complies with the standard(s): IEC60670-1,

Fire hazard test: 850°C (IEC60695-2-11)

ISO certifications: ISO 9001, ISO 14001, ISO 45001

Certificates: CE

Conforms with: LVD, RoHS, WEEE

This industrial power accessory range is built for demanding applications requiring safe, heavy-duty power transfer. Available with robust H07RN-F cables in 4G1.5mm², 4G2.5mm², 4G6.0mm², and 4G16.0mm² configurations, it features 230V 3P+E plugs with 9h coding for secure connections. Length options include 5m, 10m, 20m, and 25m, offering flexible solutions for various industrial and construction site needs.

REFERENCE	DESCRIPTION	LENGTH
83600000	H07RN-F 3G2.5mm ² , 230V, 216-6, 2P+E, 6h	25m
83600105	H07RN-F 4G1.5mm ² , 230V, 316-9, 3P+E, 9h	5m
83600100	H07RN-F 4G2.5mm ² , 230V, 316-9, 3P+E, 9h	10m
83600120	H07RN-F 4G2.5mm ² , 230V, 316-9, 3P+E, 9h	20m
83600101	H07RN-F 4G2.5mm ² , 230V, 316-9, 3P+E, 9h	25m
83600202	H07RN-F 4G6.0mm ² , 230V, 332-9, 3P+E, 9h	25m
83600303	H07RN-F 4G16.0mm ² , 230V, 363-9, 3P+E, 9h	25m



Industrial power accessory IP44

IP44

Colour: red and black

Complies with the standard(s): IEC60670-1,

Fire hazard test: 850°C (IEC60695-2-11)

ISO certifications: ISO 9001, ISO 14001, ISO 45001

Certificates: CE

Conforms with: LVD, RoHS, WEEE

This industrial power accessory series is engineered for safe and efficient power distribution in demanding environments. Available with H07RN-F 5G1.5mm², 5G2.5mm², or 5G6.0mm² cables, each unit features a 400V 3P+N+E plug (6h) for secure, reliable connections. Length options include 5m, 10m, 20m, and 25m

REFERENCE	DESCRIPTION	LENGTH
83604001	H07RN-F 5G1.5mm ² , 400V, 416-6, 3P+N+E, 6h	5m
83604002	H07RN-F 5G2.5mm ² , 400V, 416-6, 3P+N+E, 6h	10m
83604003	H07RN-F 5G2.5mm ² , 400V, 416-6, 3P+N+E, 6h	20m
83604000	H07RN-F 5G2.5mm ² , 400V, 416-6, 3P+N+E, 6h	25m
83604101	H07RN-F 5G6.0mm ² , 400V, 432-6, 3P+N+E, 6h	25m

Plugs and sockets



Socket for electrical cabinet

ETM706P **IP20** **PC**

Colour: white
 Complies with the standard(s): EN60884-1
 Fire hazard test: 850°C (IEC60695-2-11)
 ISO certifications: ISO 9001, ISO 14001, ISO 45001
 Certificates: CE, Semko
 Conforms with: RoHS, WEEE
 Working temperature indoor: 0°C to +40°C
 Installation temperature: -5°C to +25°C

This socket unit for electric cabinets is designed for maximum installation flexibility and reliability. It features sockets positioned at 45 and 90 degrees to accommodate various plug types efficiently. Fitted with a 0.7–1 m H05VV-F 3G1.5mm² black cable, pre-terminated with copper wire ends for direct RCBO connection. Equipped with strain relief and a protective cable sleeve, this non-rewirable socket ensures safe operation at 16A, 250V.

REFERENCE	PACKAGING OPTIONS
ETM706P	1PCS



Extra box for 2S surface frames

ETM307P **PC** **HALOGEN FREE**

Colour: white
 Max. ambient temperature: 40°C
 Fire hazard test: 850°C (IEC60695-2-11)
 ISO certifications: ISO 9001, ISO 14001, ISO 45001
 Certificates: CE
 Conforms with: REACH, RoHS, WEEE

This extra box for 2S surface frames is a durable plastic accessory designed to protect wiring inside electric cabinets. It acts as a protective barrier, preventing sharp aluminum plates from damaging cables during installation. Specifically made for our household electric cabinets, it mounts securely without tools and features a reliable lid that stays in place when routing wires, ensuring safe and tidy wiring every time.

REFERENCE	PACKAGING OPTIONS
ETM307P	1PCS

Power distribution units



Power distribution box

83611701 IP44 ABS HALOGEN FREE

Colour: Grey, yellow
 Frequency: 50Hz
 Technical: 16/32A 250/400VAC
 Complies with the standard(s): EN61439-4, EN60439-4
 Fire hazard test: 850°C (IEC60695-2-11)
 ISO certifications: ISO 9001, ISO 14001, ISO 45001
 Certificates: CE
 Conforms with: LVD, RoHS, WEEE
 Working temperature indoor: -25°C to +60°C
 Installation temperature: -5°C to +25°C

This power distribution box (PDB) delivers safe and practical power management for various site conditions. Available as portable bag models (Mini and Midi, 16–32 A) or cabinet models (32–63 A), each unit is housed in a robust thermoplastic enclosure. It features a self-closing transparent lid protecting the miniature circuit breakers, a grip-friendly handle with a hook hole for easy suspension, and default earthed outgoing groups fused with C-curve MCBs.

Input: 416-6 industrial plug. Output: Protected by RCCB (40 A, 4P, 0.03 A), includes four 16 A Schuko sockets secured by two 16 A 1P MCBs, plus two 416-6 industrial sockets.

REFERENCE	DESCRIPTION
83611701	16A 400V, 4 Schuko sockets, 1-pole fuse, input: 416-6 industry plug, output: secured by RCCB (40A, 4P, 0.03A), 4×16A Schuko socket, secured by 2×MCB(16A, 1P), 2×416-6 industry socket



Power distribution box

83611702 IP44 ABS HALOGEN FREE

Colour: Grey, yellow
 Frequency: 50Hz
 Technical: 16/32A 250/400VAC
 Complies with the standard(s): EN61439-4, EN60439-4
 Fire hazard test: 850°C (IEC60695-2-11)
 ISO certifications: ISO 9001, ISO 14001, ISO 45001
 Certificates: CE
 Conforms with: LVD, RoHS, WEEE
 Working temperature indoor: -25°C to +60°C
 Installation temperature: -5°C to +25°C

This PDB is available in practical bag models (Mini and Midi, 16 to 32 A) and robust cabinet models (32 to 63 A), each unit is made from durable thermoplastic material for long-lasting use. It features a self-closing transparent lid that protects the miniature circuit breakers, and a grip-friendly handle with a hole for secure hook mounting. The box includes earthed outgoing groups fused with C-curve miniature circuit breakers to ensure dependable protection. This model is equipped with a 432-6 industrial plug for 32A, 400V input, and provides output secured by a 40A, 4P, 0.03A RCCB. It includes four 16A Schuko sockets protected by two 16A 1P MCBs, one 416-6 industrial socket secured by a 16A 4P MCB, and one 432-6 industrial socket.

REFERENCE	DESCRIPTION
83611702	32A 400V, 4 Schuko sockets, 1-pole fuse input: 432-6 industry plug, output: secured by RCCB (40A, 4P, 0.03A), 4×16A Schuko socket, secured by 2×MCB(16A, 1P), 1×416-6 industry socket, secured by MCB (16A, 4P), 1×432-6 industry socket

Power distribution units



Power distribution box

83611703 IP44 ABS HALOGEN FREE

Colour: Grey, yellow
 Frequency: 50Hz
 Technical: 16/32A 250/400VAC
 Complies with the standard(s): EN61439-4, EN60439-4
 Fire hazard test: 850°C (IEC60695-2-11)
 ISO certifications: ISO 9001, ISO 14001, ISO 45001
 Certificates: CE
 Conforms with: LVD, RoHS, WEEE
 Working temperature indoor: -25°C to +60°C
 Installation temperature: -5°C to +25°C

This power distribution box (PDB) ensures safe and efficient power supply for demanding sites and events. Available in Mini and Midi bag models (16–32 A) and cabinet models (32–63 A), it features a tough thermoplastic enclosure, self-closing transparent lid over the miniature circuit breakers, and a grip-friendly handle with a hook hole for easy handling. Earthed outgoing groups are fused with C-curve miniature circuit breakers for reliable protection. This version has a 416-6 industrial plug for 16A, 400V input, and an output secured by an RCCB (40A, 4P, 0.03A). It includes eight 16A Schuko sockets protected by four 16A 1P MCBs and two 416-6 industrial sockets, making it a versatile and durable power solution.

REFERENCE	DESCRIPTION
83611703	16A 400V, 8 Schuko sockets, 1-pole fuse, input: 416-6 industry plug, output: secured by RCCB (40A, 4P, 0.03A), 8×16A Schuko socket, secured by 4×MCB(16A, 1P), 2×416-6 industry socket



Power distribution box

83611704 IP44 ABS HALOGEN FREE

Colour: Grey, yellow
 Frequency: 50Hz
 Technical: 16/32A 250/400VAC
 Complies with the standard(s): EN61439-4, EN60439-4
 Fire hazard test: 850°C (IEC60695-2-11)
 ISO certifications: ISO 9001, ISO 14001, ISO 45001
 Certificates: CE
 Conforms with: LVD, RoHS, WEEE
 Working temperature indoor: -25°C to +60°C
 Installation temperature: -5°C to +25°C

This PDB provides safe, organised power for demanding sites. Available in Mini and Midi bag models (16–32A) and cabinet models (32–63A), it features a durable thermoplastic enclosure, a self-closing transparent lid over the circuit breakers, and a sturdy handle with a hook hole for easy handling. Outgoing groups are earthed and protected by C-curve MCBs. This version uses a 432-6 industrial plug for 32A, 400V input, and an RCCB (40A, 4P, 0.03A) secures the output. It includes eight 16A Schuko sockets with four 16A 1P MCBs, plus one 416-6 and one 432-6 industrial socket, making it a reliable choice for industrial and event power distribution.

REFERENCE	DESCRIPTION
83611704	32A 400V, 8 Schuko sockets, 1-pole fuse, input: 432-6 industry plug, output: secured by RCCB (40A, 4P, 0.03A), 8×16A Schuko socket, secured by 4×MCB (16A, 1P), 1×416-6 industry socket, secured by MCB (16A, 4P), 1×432-6 industry socket



Power distribution box

1523187

IP44

ABS

HALOGEN FREE

Colour: Grey, yellow
 Frequency: 50Hz
 Technical: 16/32A 250/400VAC
 Complies with the standard(s): EN61439-4, EN60439-4
 Fire hazard test: 850°C (IEC60695-2-11)
 ISO certifications: ISO 9001, ISO 14001, ISO 45001
 Certificates: CE
 Conforms with: LVD, RoHS, WEEE
 Working temperature indoor: -25°C to +60°C
 Installation temperature: -5°C to +25°C

This power distribution box (PDB) provides safe, flexible power distribution for various applications. Available in Mini and Midi bag models (16–32 A) and cabinet models (32–63 A), it features a tough thermoplastic enclosure, a self-closing transparent lid over the circuit breakers, and a handle with a hook hole for easy handling and mounting. Outgoing groups are earthed and protected by C-curve MCBs. This version includes a 316-6 industrial plug for 16A, 400V input, and an output secured by an RCCB (40A, 4P, 0.03A). It has four 16A Schuko sockets protected by two 16A 2P MCBs and two 316-9 industrial sockets, ensuring reliable power on site.

REFERENCE	DESCRIPTION
1523187	16A 400V, 4 Schuko sockets, 2-pole fuse, input: 316-6 industry plug, output: secured by RCCB (40A, 4P, 0.03A), 4×16A Schuko socket, secured by 2×MCB (16A, 2P), 2×316-9 industry socket



Power distribution box

1523188

IP44

ABS

HALOGEN FREE

Colour: Grey, yellow
 Frequency: 50Hz
 Technical: 16/32A 250/400VAC
 Complies with the standard(s): EN61439-4, EN60439-4
 Fire hazard test: 850°C (IEC60695-2-11)
 ISO certifications: ISO 9001, ISO 14001, ISO 45001
 Certificates: CE
 Conforms with: LVD, RoHS, WEEE
 Working temperature indoor: -25°C to +60°C
 Installation temperature: -5°C to +25°C

This power distribution box (PDB) is built for safe, reliable power supply on demanding sites. Available in Mini and Midi bag models (16–32A) and cabinet models (32–63A), it features a durable thermoplastic enclosure, a self-closing transparent lid over the circuit breakers, and a sturdy handle with a hook hole for easy mounting. With a 416-6 industrial plug for 16A, 400V input, it delivers power through an RCCB (40A, 4P, 0.03A), four 16A Schuko sockets secured by two 2P MCBs, and two 416-6 industrial sockets.

REFERENCE	DESCRIPTION
1523188	16A 400V, 4 Schuko sockets, 2-pole fuse input: 416-6 industry plug, output: secured by RCCB (40A, 4P, 0.03A), 4×16A Schuko socket, secured by 2×MCB (16A, 2P), 2×416-6 industry socket

Power distribution units



Power distribution box

1501478 IP44 ABS HALOGEN FREE

Colour: Grey, yellow
 Frequency: 50Hz
 Technical: 16/32A 250/400VAC
 Complies with the standard(s): EN61439-4, EN60439-4
 Fire hazard test: 850°C (IEC60695-2-11)
 ISO certifications: ISO 9001, ISO 14001, ISO 45001
 Certificates: CE
 Conforms with: LVD, RoHS, WEEE
 Working temperature indoor: -25°C to +60°C
 Installation temperature: -5°C to +25°C

This PDB ensures safe, organised power on worksites and events. Available in Mini and Midi bag models (16–32A) and cabinet models (32–63A), it features a robust thermoplastic enclosure, a self-closing transparent lid over the circuit breakers, and a handle with a hook hole for easy handling. With a 332-9 industrial plug for 32A, 230V input, the output is protected by an RCCB (40A, 4P, 0.03A) and includes four 16A Schuko sockets secured by two 2P MCBs, one 316-9 socket with a 3P MCB, and one 332-9 socket.

REFERENCE	DESCRIPTION
1501478	32A 230V, 4 Schuko sockets, 2-pole fuse, input: 332-9 industry plug, output: secured by RCCB (40A, 4P, 0.03A), 4×16A Schuko socket, secured by 2×MCB (16A, 2P), 1×316-9 industry socket, secured by MCB (16A, 3P), 1×332-9 industry socket



Power distribution box

1501479 IP44 ABS HALOGEN FREE

Colour: Grey, yellow
 Frequency: 50Hz
 Technical: 16/32A 250/400VAC
 Complies with the standard(s): EN61439-4, EN60439-4
 Fire hazard test: 850°C (IEC60695-2-11)
 ISO certifications: ISO 9001, ISO 14001, ISO 45001
 Certificates: CE
 Conforms with: LVD, RoHS, WEEE
 Working temperature indoor: -25°C to +60°C
 Installation temperature: -5°C to +25°C

This power distribution box (PDB) provides safe and reliable power where you need it most. Available in Mini and Midi bag models (16–32A) and cabinet models (32–63A), it features a tough thermoplastic enclosure, a self-closing transparent lid over the circuit breakers, and a practical handle with a hook hole for easy handling. With a 432-6 industrial plug for 32A, 400V input, the output is protected by an RCCB (40A, 4P, 0.03A) and includes four 16A Schuko sockets secured by two 2P MCBs, plus one 416-6 and one 432-6 industrial socket, each fused for safe use.

REFERENCE	DESCRIPTION
1501479	32A 400V, 4 Schuko sockets, 2-pole fuse, input: 432-6 industry plug, output: secured by RCCB (40A, 4P, 0.03A), 4×16A Schuko socket, secured by 2×MCB (16A, 2P), 1×416-6 industry socket, secured by MCB (16A, 4P), 1×432-6 industry socket



Power distribution box

1501480

IP44

ABS

HALOGEN FREE

Colour: Grey, yellow
 Frequency: 50Hz
 Technical: 16/32A 250/400VAC
 Complies with the standard(s): EN61439-4, EN60439-4
 Fire hazard test: 850°C (IEC60695-2-11)
 ISO certifications: ISO 9001, ISO 14001, ISO 45001
 Certificates: CE
 Conforms with: LVD, RoHS, WEEE
 Working temperature indoor: -25°C to +60°C
 Installation temperature: -5°C to +25°C

This power distribution box (PDB) ensures safe and efficient power for worksites and temporary setups. Available as Mini and Midi bag models (16–32A) and cabinet models (32–63A), it features a durable thermoplastic enclosure, a self-closing transparent lid over the circuit breakers, and a sturdy handle with a hook hole for easy transport. With a 332-9 industrial plug for 32A, 230V input, the output is secured by an RCCB (40A, 4P, 0.03A) and includes eight 16A Schuko sockets protected by four 2P MCBs and two 332-9 industrial sockets for flexible connections.

REFERENCE	DESCRIPTION
1501480	32A 230V, 8 Schuko sockets, 2-pole fuse, input: 332-9 industry plug, output: secured by RCCB (40A, 4P, 0.03A), 8×16A Schuko socket, secured by 4×MCB (16A, 2P), 2×332-9 industry socket



Power distribution box

1501481

IP44

ABS

HALOGEN FREE

Colour: Grey, yellow
 Frequency: 50Hz
 Technical: 16/32A 250/400VAC
 Complies with the standard(s): EN61439-4, EN60439-4
 Fire hazard test: 850°C (IEC60695-2-11)
 ISO certifications: ISO 9001, ISO 14001, ISO 45001
 Certificates: CE
 Conforms with: LVD, RoHS, WEEE
 Working temperature indoor: -25°C to +60°C
 Installation temperature: -5°C to +25°C

This power distribution box (PDB) is built for safe, flexible power distribution on sites and events. Available in Mini and Midi bag models (16–32A) and cabinet models (32–63A), it features a tough thermoplastic enclosure, a self-closing transparent lid over the circuit breakers, and a sturdy handle with a hook hole for easy handling. With a 432-6 industrial plug for 32A, 400V input, the output is secured by an RCCB (40A, 4P, 0.03A) and includes eight 16A Schuko sockets protected by three 2P MCBs, plus one 416-6 and one 432-6 industrial socket for reliable connections.

REFERENCE	DESCRIPTION
1501481	32A 400V, 8 Schuko sockets, 2-pole fuse input: 432-6 industry plug, output: secured by RCCB (40A, 4P, 0.03A), 8×16A Schuko socket, secured by 3×MCB (16A, 2P), 1×416-6 industry socket, secured by MCB (16A, 4P), 1×432-6 industry socket

MODERN MINIMALISM

Series X product range



The DesignX range draws its essence from Scandinavian design, where nature's beauty meets minimalist precision. Clean lines, soft curves, and understated elegance allow these products to integrate seamlessly into any interior - from modern lofts to timeless classics.

Every detail is crafted with purpose. UV-resistant materials and colour-through technology protect against fading and visible scratches, keeping surfaces flawless for years. The lightly textured finish not only adds visual depth but also resists fingerprints, combining style with everyday practicality.

Rigorously tested and internationally certified,

DesignX switches carry both CE marking and the S Mark, ensuring top-tier safety and performance.

The range offers versatile solutions, from sockets, switches, thermostats, dimmers, and timers to advanced control systems. Adaptable to diverse installation requirements, DesignX can be tailored to meet individual needs while maintaining a consistent aesthetic throughout a space.

With the perfect balance of beauty and functionality, DesignX is more than just an electrical solution - it's a design statement, chosen by architects, planners, and homeowners who demand both exceptional quality and timeless style.

PRODUCT RANGE



CREATED WITH
A FAMOUS
DESIGNER

The DesignX series, created with designer Gunnar Fjellestad of "Tid For Hjem," blends style and functionality. Featuring switches, dimmers, outlets, and USB chargers in UV-resistant white or black, the range integrates seamlessly into modern interiors, elevating spaces with durable, timeless design.

Flush sockets



Two-way socket with screw terminals

ETM022X IP21 PC HALOGEN FREE

Colour: white RAL9003 (UV stable), black RAL9017
 Technical data: 16A 250VAC
 Frequency: 50Hz
 Certificates: Semko
 Conforms with: RoHS, WEEE
 Complies with the standards: IEC 60670-1
 Fire hazard test: 850°C (IEC60695-2-11)
 Working temperature: -25°C to +60°C;
 Installation temperature: -5°C to +25°C

2-way socket outlet with a thermoplastic cover and screw terminals for flush wiring. Features integrated shutter for safety and two cover plate screws. Designed to fit single wall boxes with 60 mm c-c screw spacing.

Two-way socket with screw terminals and terminal for through wire

ETM022XT IP21 PC HALOGEN FREE

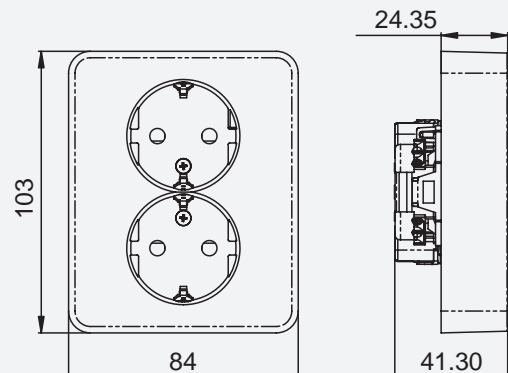
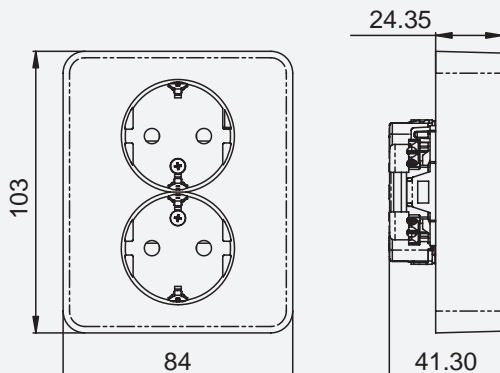
Colour: white RAL9003 (UV stable), black RAL9017
 Technical data: 16A 250VAC
 Frequency: 50Hz
 Certificates: Semko
 Conforms with: RoHS, WEEE
 Complies with the standards: IEC 60670-1
 Fire hazard test: 850°C (IEC60695-2-11)
 Working temperature: -25°C to +60°C;
 Installation temperature: -5°C to +25°C

Compact 2-way socket with robust thermoplastic cover and secure screw terminals, including an extra terminal for through wiring. Built for flush installation with protective shutter and dual cover screws. Compatible with single wall boxes, 60 mm center-to-center mounting.

REFERENCE	PACKAGING OPTIONS	
ETM022X	1PCS	8PCS

REFERENCE	PACKAGING OPTIONS	
ETM022XT	1PCS	8PCS

Technical drawings





Two-way socket with screw terminals and divided outlet

ETM022XD IP21 PC HALOGEN FREE

Colour: white RAL9003 (UV stable), black RAL9017
 Technical data: 16A 250VAC
 Frequency: 50Hz
 Certificates: Semko
 Conforms with: RoHS, WEEE
 Complies with the standards: IEC 60670-1
 Fire hazard test: 850°C (IEC60695-2-11)
 Working temperature: -25°C to +60°C;
 Installation temperature: -5°C to +25°C

2-way socket with thermoplastic cover and screw terminals, designed with a divided outlet for added safety. Flush-mount installation with integrated shutters and two cover plate screws. Fits single wall boxes with 60 mm screw spacing.

REFERENCE	PACKAGING OPTIONS	
ETM022XD	1PCS	8PCS



Two-way socket with screw terminals and frame

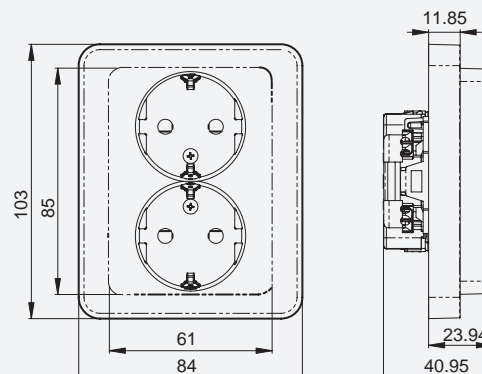
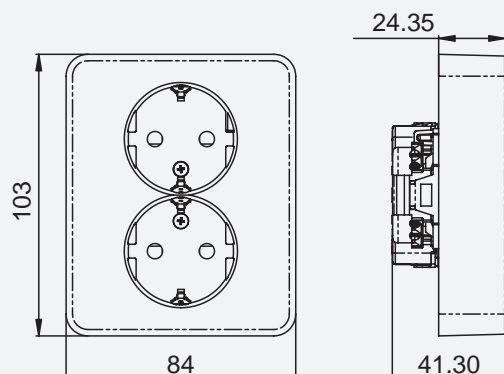
ETM022XF IP21 PC HALOGEN FREE

Colour: white RAL9003 (UV stable), black RAL9017
 Technical data: 16A 250VAC
 Frequency: 50Hz
 Certificates: Semko
 Conforms with: RoHS, WEEE
 Complies with the standards: IEC 60670-1
 Fire hazard test: 850°C (IEC60695-2-11)
 Working temperature: -25°C to +60°C;
 Installation temperature: -5°C to +25°C

Stylish 2-way socket with screw terminals and a durable thermoplastic cover, enhanced by an integrated frame for a clean, finished look. Features safety shutters, flush wiring, and dual cover screws. Fits single wall boxes with 60 mm screw spacing.

REFERENCE	PACKAGING OPTIONS	
ETM022XF	1PCS	8PCS

Technical drawings



Flush sockets



Two-way DSO socket with screwless terminals, earthed

ETM022XQ IP21 PC HALOGEN FREE

Colour: white RAL9003 (UV stable), black RAL9017
 Technical data: 16A 250VAC
 Frequency: 50Hz
 Certificates: Semko
 Conforms with: RoHS, WEEE
 Complies with the standards: IEC 60670-1
 Fire hazard test: 850°C (IEC60695-2-11)
 Working temperature: -25°C to +60°C;
 Installation temperature: -5°C to +25°C

2-way earthed socket outlet with a thermoplastic cover and screwless terminals for flush wiring. Features integrated shutter for safety and two cover plate screws. Designed to fit single wall boxes with 60 mm c-c screw spacing.

Two-way DSO socket with screwless terminals and terminal for through wire, earthed

ETM022XQD IP21 PC HALOGEN FREE

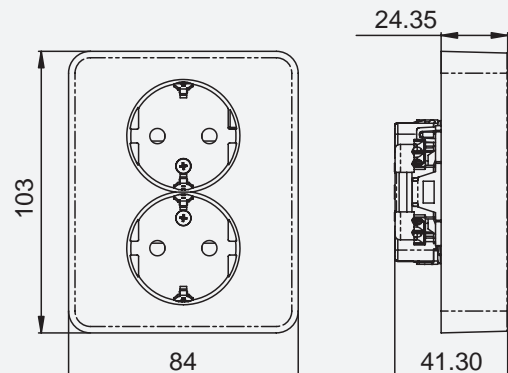
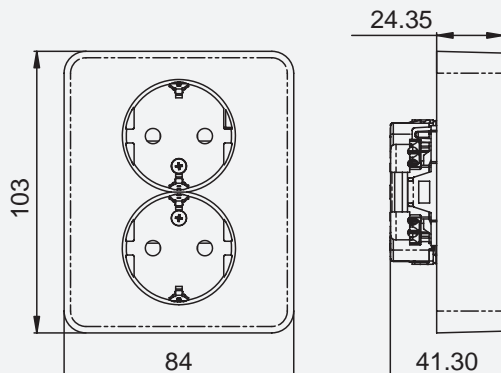
Colour: white RAL9003 (UV stable), black RAL9017
 Technical data: 16A 250VAC
 Frequency: 50Hz
 Certificates: Semko
 Conforms with: RoHS, WEEE
 Complies with the standards: IEC 60670-1
 Fire hazard test: 850°C (IEC60695-2-11)
 Working temperature: -25°C to +60°C;
 Installation temperature: -5°C to +25°C

Compact 2-way earthed socket with robust thermoplastic cover and secure screwless terminals, including an extra terminal for through wiring. Built for flush installation with protective shutter and dual cover screws. Compatible with single wall boxes, 60 mm center-to-center mounting.

REFERENCE	PACKAGING OPTIONS	
ETM022XQ	1PCS	8PCS

REFERENCE	PACKAGING OPTIONS	
ETM022XQD	1PCS	8PCS

Technical drawings





Two-way DSO socket with screwless terminals and divided outlet, earthed

ETM022XQF IP21 PC HALOGEN FREE

Colour: white RAL9003 (UV stable), black RAL9017
 Technical data: 16A 250VAC
 Frequency: 50Hz
 Certificates: Semko
 Conforms with: RoHS, WEEE
 Complies with the standards: IEC 60670-1
 Fire hazard test: 850°C (IEC60695-2-11)
 Working temperature: -25°C to +60°C;
 Installation temperature: -5°C to +25°C

2-way earthed socket with thermoplastic cover and screwless terminals, designed with a divided outlet for added safety. Flush-mount installation with integrated shutters and two cover plate screws. Fits single wall boxes with 60 mm screw spacing.

REFERENCE	PACKAGING OPTIONS	
ETM022XQF	1PCS	8PCS

Two-way DSO socket with screwless terminals and frame, earthed

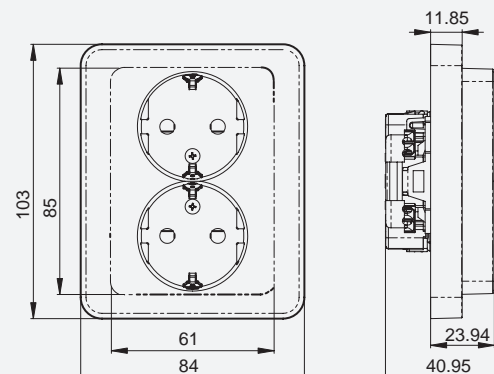
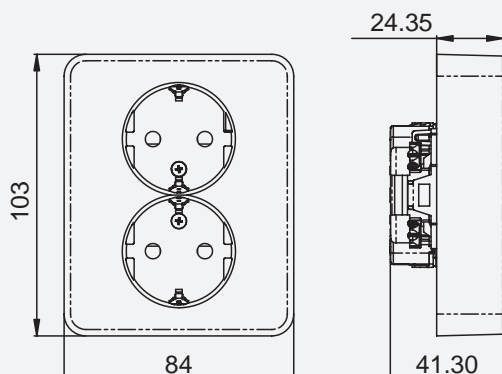
ETM022XQDF IP21 PC HALOGEN FREE

Colour: white RAL9003 (UV stable), black RAL9017
 Technical data: 16A 250VAC
 Frequency: 50Hz
 Certificates: Semko
 Conforms with: RoHS, WEEE
 Complies with the standards: IEC 60670-1
 Fire hazard test: 850°C (IEC60695-2-11)
 Working temperature: -25°C to +60°C;
 Installation temperature: -5°C to +25°C

Stylish 2-way earthed socket with screwless terminals and a durable thermoplastic cover, enhanced by an integrated frame for a clean, finished look. Features safety shutters, flush wiring, and dual cover screws. Fits single wall boxes with 60 mm screw spacing.

REFERENCE	PACKAGING OPTIONS	
ETM022XQDF	1PCS	8PCS

Technical drawings



Flush sockets



Two-way socket with screw terminals, low profile

ETM022XL IP21 PC HALOGEN FREE

Colour: white RAL9003 (UV stable), black RAL9017
 Technical data: 16A 250VAC
 Frequency: 50Hz
 Certificates: Semko
 Conforms with: RoHS, WEEE
 Complies with the standards: IEC 60670-1
 Fire hazard test: 850°C (IEC60695-2-11)
 Working temperature: -25°C to +60°C;
 Installation temperature: -5°C to +25°C

2-way socket outlet with a thermoplastic cover and screw terminals for flush wiring. Features integrated shutter for safety and two cover plate screws. Designed to fit single wall boxes with 60 mm c-c screw spacing. Fits into a single wall box.

REFERENCE	PACKAGING OPTIONS	
ETM022XL	1PCS	8PCS



Two-way socket with screwless terminals, earthed

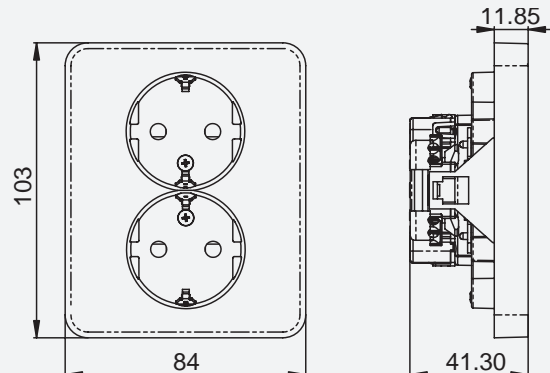
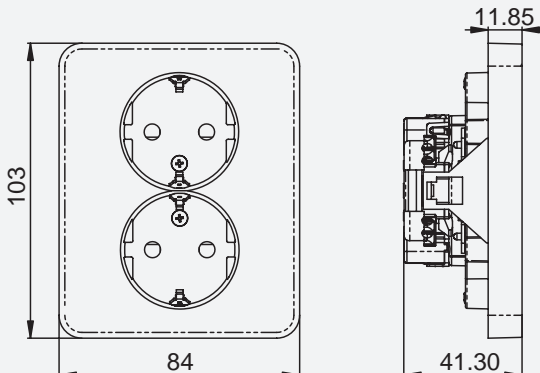
ETM022XQL IP21 PC HALOGEN FREE

Colour: white RAL9003 (UV stable), black RAL9017
 Technical data: 16A 250VAC
 Frequency: 50Hz
 Certificates: Semko
 Conforms with: RoHS, WEEE
 Complies with the standards: IEC 60670-1
 Fire hazard test: 850°C (IEC60695-2-11)
 Working temperature: -25°C to +60°C;
 Installation temperature: -5°C to +25°C

Compact 2-way earthed socket with robust thermoplastic cover and secure screwless terminals. Built for flush installation with protective shutter and dual cover screws. Compatible with 1.5 wall boxes, 60 mm center-to-center mounting.

REFERENCE	PACKAGING OPTIONS	
ETM022XQL	1PCS	8PCS

Technical drawings





Two-way DSO socket with screwless terminals, earthed

ETM022XQDL

IP21

PC

HALOGEN FREE

Colour: white RAL9003 (UV stable), black RAL9017

Technical data: 16A 250VAC

Frequency: 50Hz

Certificates: Semko

Conforms with: RoHS, WEEE

Complies with the standards: IEC 60670-1

Fire hazard test: 850°C (IEC60695-2-11)

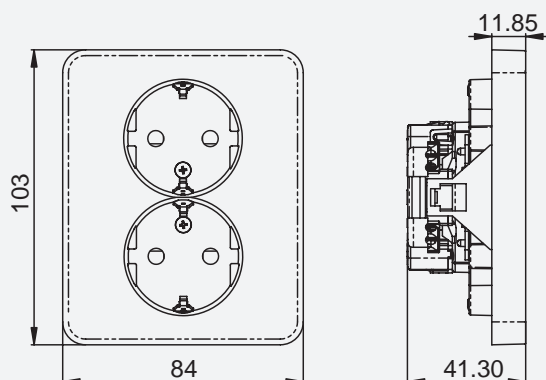
Working temperature: -25°C to +60°C;

Installation temperature: -5°C to +25°C

2-way earthed socket with thermoplastic cover and screwless terminals. Flush-mount installation with integrated shutters and two cover plate screws. Fits 1.5 wall boxes with 60 mm screw spacing.

REFERENCE	PACKAGING OPTIONS	
ETM022XQDL	1PCS	8PCS

Technical drawings



Flush sockets



Two-way socket with screw terminals without frame

ETM022XW IP21 PC HALOGEN FREE

Colour: white RAL9003 (UV stable) or customised
 Technical data: 16A 250VAC
 Frequency: 50Hz
 Certificates: Semko
 Conforms with: RoHS, WEEE
 Complies with the standards: IEC 60670-1
 Fire hazard test: 850°C (IEC60695-2-11)
 Working temperature: -25°C to +60°C;
 Installation temperature: -5°C to +25°C

2-way socket with screw terminals and a thermoplastic cover without the frame. Features shutters, flush wiring, and 2 screws in the cover plate. Fits single wall boxes with 60 mm screw spacing. For surface mounting, use ETM431X housing. Available frames ETM304X, ETM308X, ETM309X, ETM310X, ETM318X.

REFERENCE	PACKAGING OPTIONS	
ETM022XW	1PCS	8PCS

Two-way socket with screw terminals, low profile, without frame

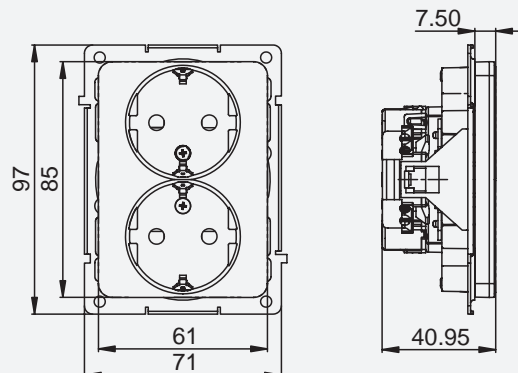
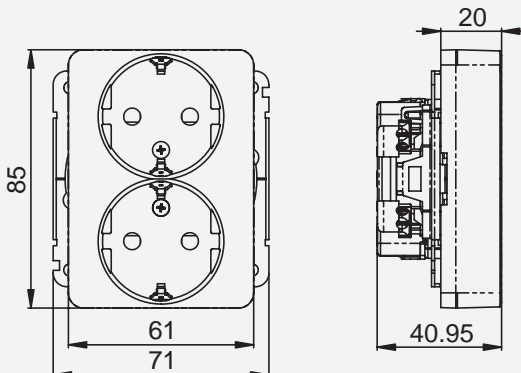
ETM022XLW IP21 PC HALOGEN FREE

Colour: white RAL9003 (UV stable) or customised
 Technical data: 16A 250VAC
 Frequency: 50Hz
 Certificates: Semko
 Conforms with: RoHS, WEEE
 Complies with the standards: IEC 60670-1
 Fire hazard test: 850°C (IEC60695-2-11)
 Working temperature: -25°C to +60°C;
 Installation temperature: -5°C to +25°C

2-way socket outlet with a thermoplastic cover and screw terminals. Features integrated shutter for safety and two cover plate screws. Fits single wall boxes with 60 mm screw spacing. For surface mounting, use ETM431X housing. Available frames ETM304X, ETM308X, ETM309X, ETM310X, ETM318X.

REFERENCE	PACKAGING OPTIONS	
ETM022XLW	1PCS	8PCS

Technical drawings





Two-way socket with screwless terminals, earthed, without frame

ETM022XQW **IP21** **PC** **HALOGEN FREE**

Colour: white RAL9003 (UV stable) or customised
 Technical data: 16A 250VAC
 Frequency: 50Hz
 Certificates: Semko
 Conforms with: RoHS, WEEE
 Complies with the standards: IEC 60670-1
 Fire hazard test: 850°C (IEC60695-2-11)
 Working temperature: -25°C to +60°C;
 Installation temperature: -5°C to +25°C

2-way socket with screwless terminals and a thermoplastic cover without the frame. Features shutters, flush wiring, and 2 screws in the cover plate. Fits single wall boxes with 60 mm screw spacing. For surface mounting, use ETM431X housing. Available frames ETM304X, ETM308X, ETM309X, ETM310X, ETM318X.

REFERENCE	PACKAGING OPTIONS	
ETM022XQW	1PCS	8PCS



Two-way socket with screwless terminals, earthed, without frame

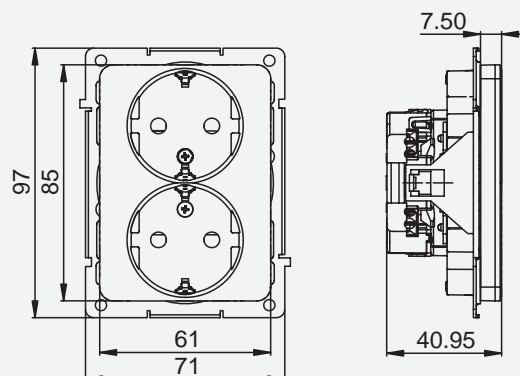
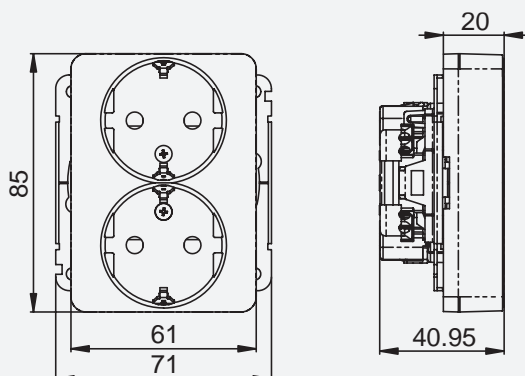
ETM022XQLW **IP21** **PC** **HALOGEN FREE**

Colour: white RAL9003 (UV stable) or customised
 Technical data: 16A 250VAC
 Frequency: 50Hz
 Certificates: Semko
 Conforms with: RoHS, WEEE
 Complies with the standards: IEC 60670-1
 Fire hazard test: 850°C (IEC60695-2-11)
 Working temperature: -25°C to +60°C;
 Installation temperature: -5°C to +25°C

2-way socket outlet with a thermoplastic cover and screwless terminals. Features integrated shutter for safety and two cover plate screws. Fits single wall boxes with 60 mm screw spacing. For surface mounting, use ETM431X housing. Available frames ETM304X, ETM308X, ETM309X, ETM310X, ETM318X.

REFERENCE	PACKAGING OPTIONS	
ETM022XQLW	1PCS	8PCS

Technical drawings



Flush sockets



Two-way socket with USB Type A and Type C charging ports

ETM705XQ

IP20

PC

HALOGEN FREE

Colour: white RAL9003 (UV stable), black RAL9017, customised
 Technical data: 16A 250VAC, 50Hz, max 3600W
 Overvoltage category: III
 High voltage insulation test: 3kVac
 Certificates: CE, TUV
 Conforms with: LVD, EMC, RoHS, WEEE, REACH
 Complies with the standards: EN 62368-1, IEC 60884-1
 Working temperature: 0°C to +35°C;
 USB data: rated input is 230V~, 50Hz, 0.4A
 Rated output:
 output single A port or single C port: 5V, 3A, 15W; 9V, 2A, 18W; 12V, 1.5V, 18W; output A port with output: C port 5V, 3A, 15W (3A total)
 Standby operation: 0.1W
 Average active efficiency: 81.4%
 Efficiency at low load (10%): 72.1%

REFERENCE	PACKAGING OPTIONS	
ETM705XQ	1PCS	8PCS



Two-way socket with USB Type A and Type C charging ports, 20W

ETM709XQ

IP20

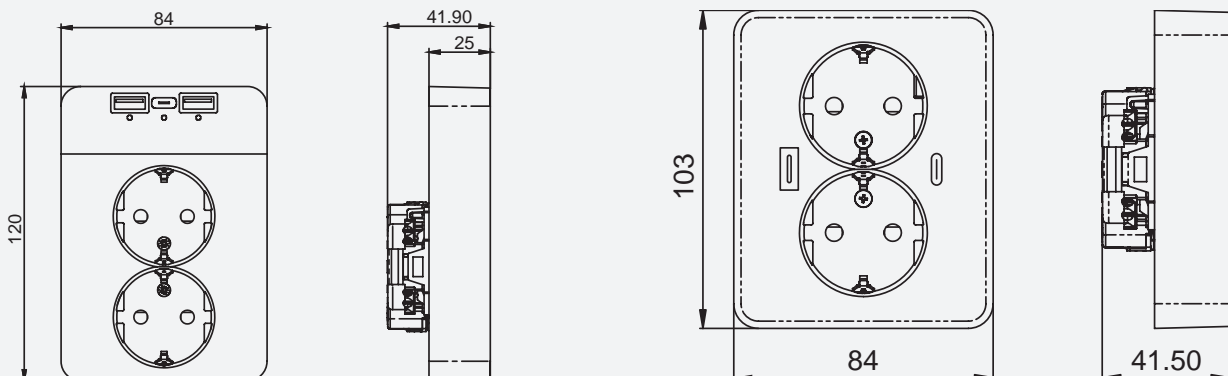
PC

HALOGEN FREE

Colour: white RAL9003 (UV stable), black RAL9017, customised
 Technical data: 16A 230VAC, 50Hz
 Rated output:
 230VAC, 50Hz, 0.5A; Rated output: single A port: 5V3A,15W; 9V2A,18W; 12V1.5A, 18W; single C port: 5V3A,15.0W; 9V2.22A, 20W; 12V1.67A, 20W; single A+C-port: 5V3A, 15W;
 Conforms with: Intertek, LVD, EMC, ErP, RoHS, WEEE, REACH
 Complies with the standards: IEC 62368-1, IEC 60884-1
 Fire hazard test: 850°C(IEC60695-2-11)
 Working temperature:0°C to 35°C;
 Installation temperature: -10°C to 70°C
 Standby operation: 0.1W
 Average active efficiency: 81.4%
 Efficiency at low load (10%): 70%

REFERENCE	PACKAGING OPTIONS	
ETM709XQ	1PCS	8PCS

Technical drawings





Socket with Type A and Type C USB charging ports

ETM703XQ

IP20

PC

HALOGEN FREE

Colour: white RAL9003 (UV stable), black RAL9017, customised

Technical data: 16A 250VAC, 50Hz, max 3600W

Overvoltage category: III

High voltage insulation test: 3kVac

Certificates: TUV

Conforms with: LVD, EMC, RoHS, WEEE, REACH

Complies with the standards: EN 62368-1, IEC 60884-1

Working temperature: 0°C to +35°C;

USB data: rated input is 230V~, 50Hz, 0.4A

Rated output:

output single A port or single C port: 5V, 3A, 15W; 9V, 2A, 18W; 12V, 1.5V, 18W; output A port with output: C port 5V, 3A, 15W (3A total)

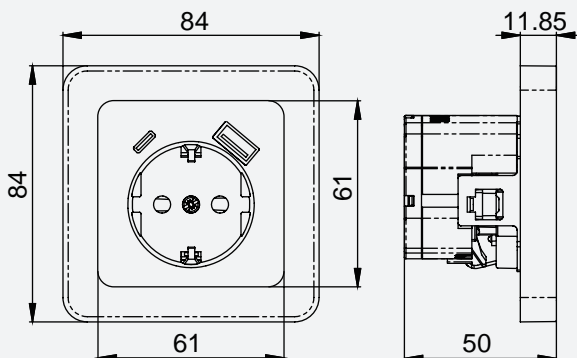
Standby operation: 0.1W

Average active efficiency: 81.4%

Efficiency at low load (10%): 72.1%

REFERENCE	PACKAGING OPTIONS	
ETM703XQ	1PCS	8PCS

Technical drawings



Flush sockets



USB 2.0 Type A socket with auto-detect monitors

ETM702X IP20 PC HALOGEN FREE

Colour: white RAL9003 (UV stable), black RAL9017
 Technical data: 16A 230VAC, 50Hz, max 200mA
 Working temperature: -25°C to +45°C;
 Fire hazard test: 850°C (IEC60695-2-1)
 Certificates: CE, Semko
 Conforms with: LVD, EMC, RoHS, WEEE, REACH, Ecodesign
 Complies with the standards: EN 62368-1, IEC 60695-2-1
 Rated output: DC 5V 3.4A; 2x 1A, 2.1A+1A, 2.4A+1A; 5V
 Standby operation: 0.1W
 Average active efficiency: 82.15%
 Efficiency at low load (10%): 72.1%
 Screw terminal capacity: 1.5-2.5mm²
 OCP: 3.8A OTP<110°C
 OVP: <6.3V; SCP: input power <2W

REFERENCE	PACKAGING OPTIONS	
ETM702X	1PCS	8PCS



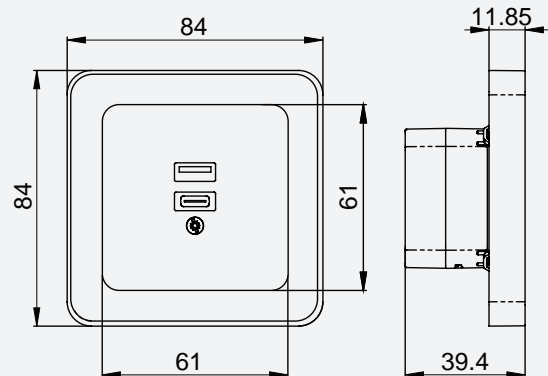
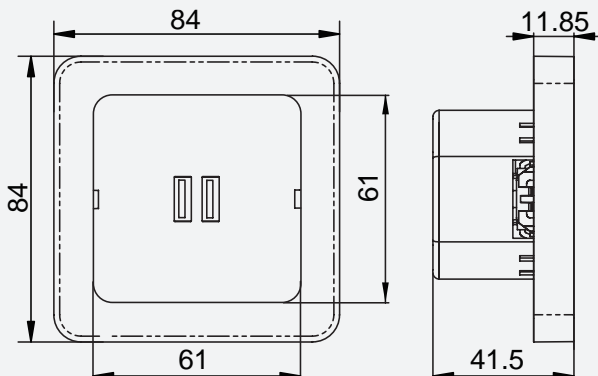
USB Type A and Type C socket with smart device detection

ETM704X IP20 PC HALOGEN FREE

Colour: white RAL9003 (UV stable), black RAL9017
 Socket data: 16A 230VAC, 50Hz, max 200mA
 Overvoltage category: III
 High voltage insulation test: 3kVac
 Working temperature: 0°C to +35°C;
 Fire hazard test: 850°C (IEC60695-2-1)
 Certificates: TUV
 Conforms with: LVD, EMC, RoHS, WEEE, REACH
 Complies with the standards: EN 62368-1, IEC 60884-1
 USB data: rated input is 230V~, 50Hz, 0.4A
 Rated output:
 output single A port or single C port: 5V, 3A, 15W; 9V, 2A, 18W; 12V, 1.5V, 18W; output A port with output: C port 5V, 3A, 15W (3A total)
 Standby operation: 0.1W
 Average active efficiency: 81.4%
 Efficiency at low load (10%): 72.1%

REFERENCE	PACKAGING OPTIONS	
ETM704X	1PCS	8PCS

Technical drawings





USB Type A and Type C socket, 65W

ETM708X

IP20

PC

HALOGEN FREE

Colour: White: RAL9003 (UV stable)
 USB Rated Input: 220-250VAC, 0.8A
 Frequency: 50/60Hz
 Overvoltage category: III
 Working Temperature: 0°C-35°C
 Fire hazard test: 850°C(IEC60695-2-1)
 Conforms with: TUV, LVD, EMC, RoHS, WEEE, REACH
 Complies with: EN IEC62368-1, EN IEC61558-1, EN IEC61558-2-16

Rated output:

Single A port: 5VDC, 3A, 15W; 9VDC, 2A, 18W; 12VDC, 3A, 36W;
 Single C port: 5VDC, 3A, 15W; 9VDC, 2A, 18W; 12VDC, 3A, 36W;
 15VDC, 3A, 45W; 20VDC, 3.25A, 65W;
 Two at the same time: 5VDC, 3A, 15W (3A in total)

Standby operation: 0.1W
 Average active efficiency: 87.72%
 Efficiency at low load (10%): 65%

REFERENCE	PACKAGING OPTIONS	
ETM708X	1PCS	8PCS



Flush type wall socket with screwless terminal, earthed

ETM207XQ

IP21

PC

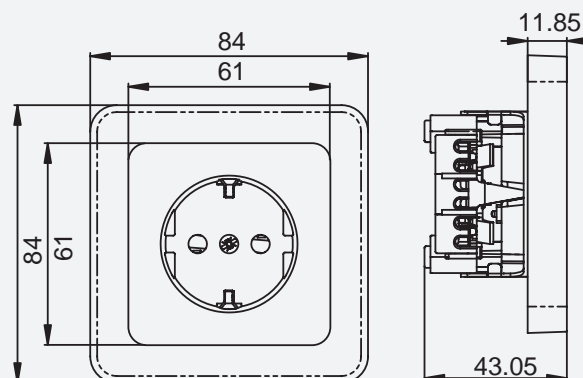
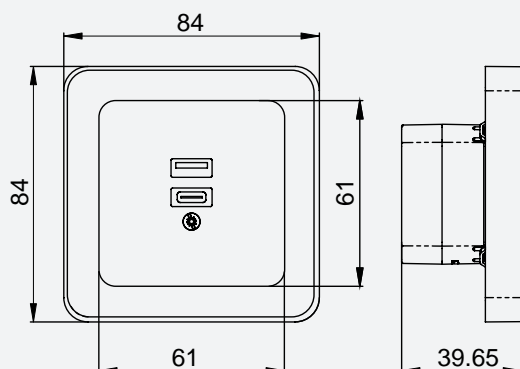
HALOGEN FREE

Colour: white RAL9003 (UV stable), black RAL9017
 Working temperature: -25°C to +60°C;
 Installation temperature: -5°C to +25°C
 Certificates: Semko
 Conforms with: RoHS, WEEE
 Complies with the standards: IEC 60884-1
 Fire hazard test: 850°C (IEC60695-2-11)
 ISO certifications: ISO 9001, ISO 14001, ISO 45001

Flush-mounted wall socket with screwless terminals for quick and secure installation. Compatible with Series X standard multi-way frames. Sleek and modern, ideal for residential or commercial use. Offers a clean finish and reliable performance with minimal effort.

REFERENCE	PACKAGING OPTIONS	
ETM207XQ	1PCS	8PCS

Technical drawings



Flush sockets



Oven and stove socket with screwless terminals without frame

ETM207XQW IP21 PC HALOGEN FREE

Colour: white RAL9003 (UV stable), black RAL9017
 Technical data: 16A 250VAC
 Frequency: 50Hz
 Certificates: Semko
 Conforms with: RoHS, WEEE
 Complies with the standards: IEC 60884-1
 Fire hazard test: 850°C (IEC60695-2-11)
 Working temperature: -25°C to +60°C;
 Installation temperature: -5°C to +25°C

Socket outlet for ovens and stoves, designed without frame. Features screwless terminals for fast installation and flush wiring for a clean finish. Fits standard wall boxes (60 mm c-c) and 61x61 mm central plates. Compatible with X series multi-way frames.

REFERENCE	PACKAGING OPTIONS	
ETM207XQW	1PCS	8PCS

Three-way Euro socket with screw terminals

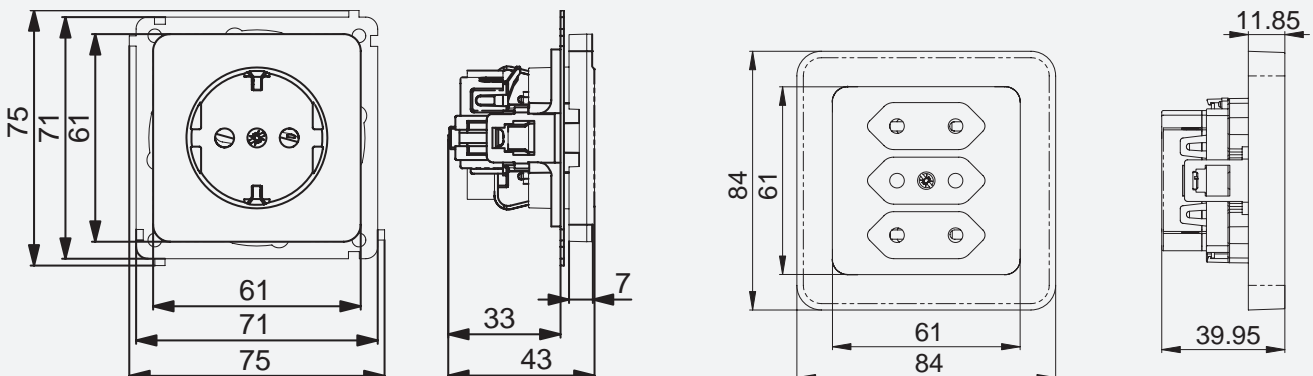
ETM405X IP21 PC HALOGEN FREE

Colour: white RAL9003 (UV stable), black RAL9017
 Technical data: 16A 250VAC
 Frequency: 50Hz
 Certificates: Semko
 Conforms with: RoHS, WEEE
 Complies with the standards: IEC 60884-1
 Fire hazard test: 850°C (IEC60695-2-11)
 Working temperature: -25°C to +60°C;
 Installation temperature: -5°C to +25°C

Three-way Euro socket with screw terminals and flush wiring. Features a thermoplastic cover, built-in shutter, and 60 mm screw distance for standard wall boxes. Compatible with ETM431X housing, ideal for neat transitions from flush to surface-mounted cable installations.

REFERENCE	PACKAGING OPTIONS	
ETM405X	1PCS	8PCS

Technical drawings





Three-way socket

ETM401XQ

IP21

PC

HALOGEN FREE

Colour: white RAL9003 (UV stable), black RAL9017
 Technical data: 16A 250VAC
 Frequency: 50Hz
 Certificates: Semko
 Conforms with: RoHS, WEEE
 Complies with the standards: IEC 60670-1
 Fire hazard test: 850°C (IEC60695-2-11)
 Working temperature: -25°C to +60°C;
 Installation temperature: -5°C to +25°C

3-way way earthed socket with thermoplastic cover and screwless terminals. Flush-mount installation with integrated shutters and two cover plate screws. Designed to fit Etman double wall boxes with 71 mm distance between fixing centres and 60 mm fixing centre spacing.

REFERENCE	PACKAGING OPTIONS	
ETM401XQ	1PCS	8PCS



Two-way schuko socket with two Euro sockets

ETM403XQ

IP21

PC

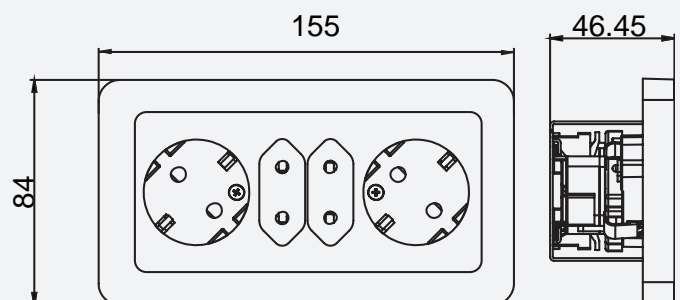
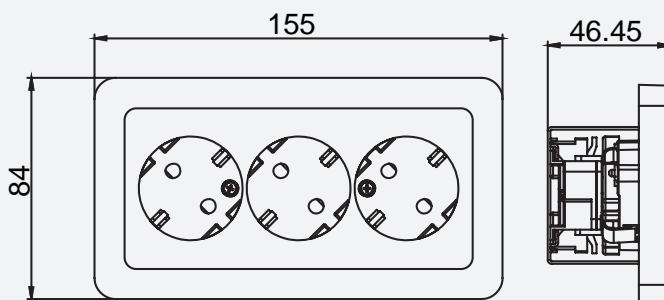
HALOGEN FREE

Colour: white RAL9003 (UV stable), black RAL9017
 Technical data: 16A 250VAC
 Frequency: 50Hz
 Certificates: Semko
 Conforms with: RoHS, WEEE
 Complies with the standards: IEC 60670-1
 Fire hazard test: 850°C (IEC60695-2-11)
 Working temperature: -25°C to +60°C;
 Installation temperature: -5°C to +25°C

Socket outlet with 2 Euro and 2 Schuko connections, ideal for versatile power needs. Designed to fit Etman double wall boxes with 71 mm distance between fixing centres and 60 mm fixing centre spacing. Practical solution for both residential and commercial use.

REFERENCE	PACKAGING OPTIONS	
ETM403XQ	1PCS	8PCS

Technical drawings



Sockets with lids



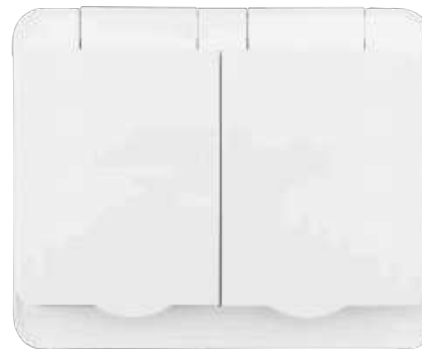
Flush type socket with lid, earthed, IP44

ETM207XQ44 **IP44** **PC** **HALOGEN FREE**

Colour: white RAL9003 (UV stable), black RAL9017
 Technical data: 16A 250VAC
 Certificates: Semko
 Conforms with: RoHS, WEEE
 Complies with the standards: EN 60884-1
 Fire hazard test: 850°C (IEC60695-2-11)
 Working temperature: -25°C to +60°C;
 Installation temperature: -5°C to +25°C
 Gasket: included

Flush-mounted 1-way socket with lid, IP44 rated for splash protection. Features a thermoplastic cover, shutter for safety, and screwless terminals for quick installation with flush wiring. Fits standard 60mm wall boxes and comes with a 55x55mm central plate compatible with Etman combination plates.

REFERENCE	PACKAGING OPTIONS	
ETM207XQ44	1PCS	8PCS



Flush type 2 way socket with lid, earthed, IP44

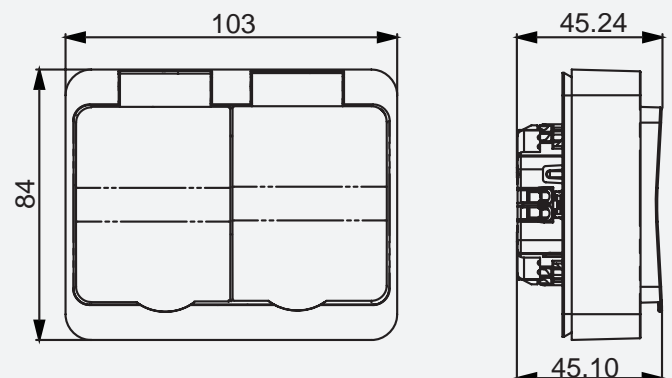
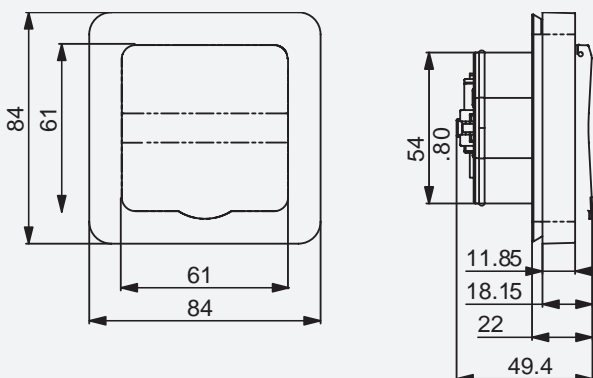
ETM022XQ44 **IP44** **PC** **HALOGEN FREE**

Colour: white RAL9003 (UV stable), black RAL9017
 Technical data: 16A 250VAC
 Certificates: Semko
 Conforms with: RoHS, WEEE
 Complies with the standards: EN 60884-1
 Fire hazard test: 850°C (IEC60695-2-11)
 Working temperature: -25°C to +60°C;
 Installation temperature: -5°C to +25°C
 Gasket: included

IP44-rated 2-way socket with lids and thermoplastic cover. Features screwless terminals, flush wiring, and safety shutters. Fits 1.5-gang wall boxes (60 mm c-c), with 84 mm c-c cover plate. Compatible with ETM240X surface housing for flexible installation.

REFERENCE	PACKAGING OPTIONS	
ETM022XQ44	1PCS	8PCS

Technical drawings





Wall mounted socket with lid, earthed, IP44

ETM273XQ IP44 PC HALOGEN FREE

Colour: white RAL9003 (UV stable), black RAL9017
 Technical data: 16A 250VAC 50Hz
 Certificates: Semko
 Conforms with: RoHS, WEEE
 Complies with the standards: EN 60669-1
 Fire hazard test 94V-0
 Working temperature: -25°C to +60°C;
 Installation temperature: -5°C to +25°C
 Gasket: included

IP44-rated 1-way surface-mounted socket with lid, earth (Schuko), and shutter. Features screwless terminals and a thermoplastic cover that's tough yet flexible. Includes a back plate with screw holes and spacious cable room. Connecting piece and strain relief available separately.

REFERENCE	PACKAGING OPTIONS	
ETM273XQ	1PCS	8PCS



1 pole/2-way switch without frame

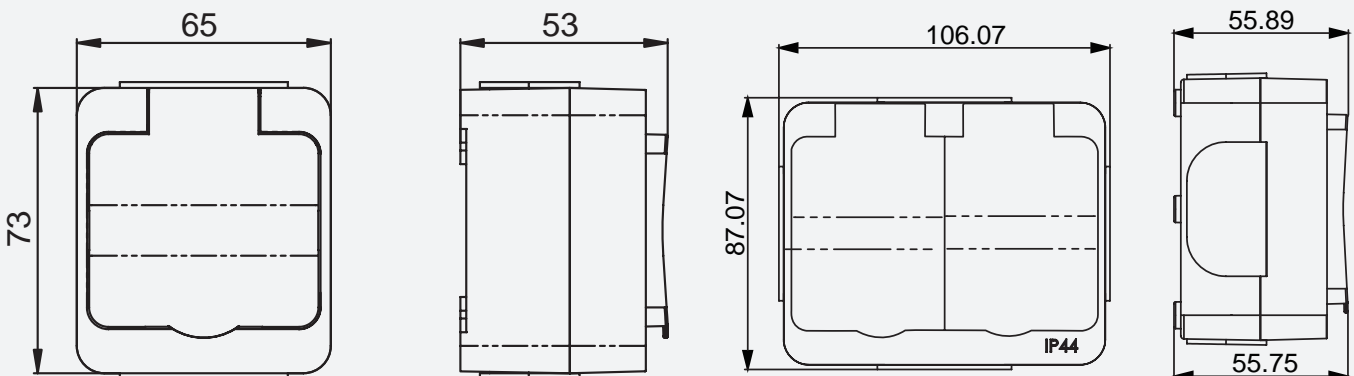
ETM274XQ IP44 PC HALOGEN FREE

Colour: white RAL9003 (UV stable), black RAL9017
 Technical data: 16A 250VAC 50Hz
 Certificates: Semko
 Conforms with: RoHS, WEEE
 Complies with the standards: EN 60669-1
 Fire hazard test 94V-0
 Working temperature: -25°C to +60°C;
 Installation temperature: -5°C to +25°C
 Gasket: included

IP44-rated 2-way surface-mounted socket with lids, earth (Schuko), and shutter. Features screwless terminals and a thermoplastic cover that's tough yet flexible. Includes a back plate with screw holes and spacious cable room. Connecting piece and strain relief available separately.

REFERENCE	PACKAGING OPTIONS	
ETM274XQ	1PCS	8PCS

Technical drawings



Flush switches



1 pole/2 way switch

ETM201XQ IP21 PC HALOGEN FREE

Colour: white RAL9003 (UV stable), black RAL9017
 Technical data: 16A 250VAC
 LED max load: 200W
 Certificates: CE, S mark
 Conforms with: RoHS, WEEE, LVD
 Complies with the standards: EN 60669-1
 Fire hazard test: 850°C (IEC60695-2-11)
 Working temperature: -25°C to +60°C;
 Installation temperature: -5°C to +25°C

1-pole / 2-way switch (Pattern No. 1/6) with wiring diagram conveniently printed on the rear. Features a thermoplastic rocker and cover plate with a 61×61mm standard central plate. Screwless terminals and flush wiring ensure easy installation. Fits wall boxes (60mm c-c), cover plate spacing 84mm.

REFERENCE	PACKAGING OPTIONS	
ETM201XQ	1PCS	8PCS

Reversing switch for ETM201XQ

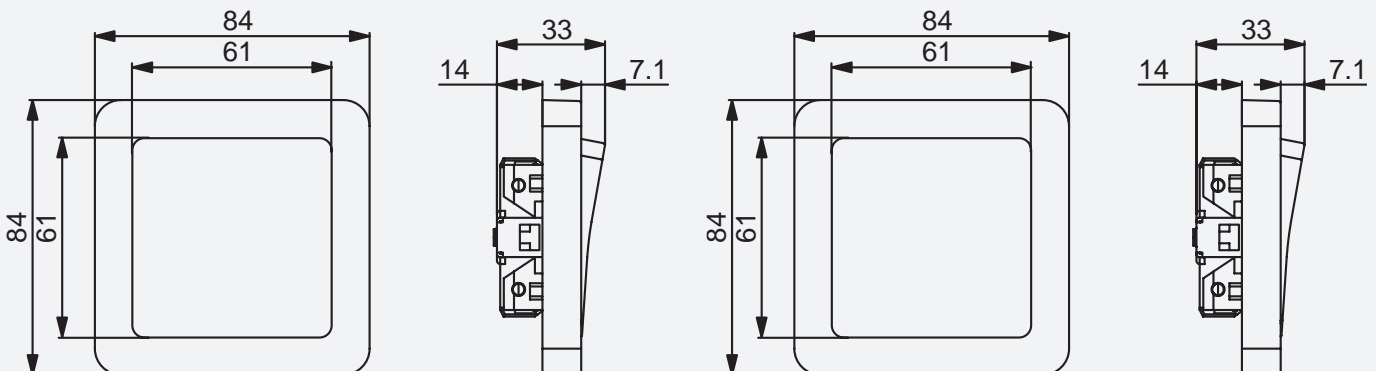
ETM352XQ IP21 PC HALOGEN FREE

Colour: white RAL9003 (UV stable), black RAL9017
 Technical data: 16A 250VAC
 LED max load: 200W
 Certificates: CE, S mark
 Conforms with: RoHS, WEEE, LVD
 Complies with the standards: EN 60669-1
 Fire hazard test: 850°C (IEC60695-2-11)
 Working temperature: -25°C to +60°C;
 Installation temperature: -5°C to +25°C

Reversing switch (pattern No. 7) with wiring diagram clearly printed on the rear for easy reference. Equipped with a thermoplastic rocker and cover plate, standard 61×61mm central plate. Features screwless terminals and flush wiring. Fits wall boxes (60mm c-c), cover plate spacing 84mm.

REFERENCE	PACKAGING OPTIONS	
ETM352XQ	1PCS	8PCS

Technical drawings





1 pole/2 way switch

ETM204XQ

IP21

PC

HALOGEN FREE

Colour: white RAL9003 (UV stable), black RAL9017
 Technical data: 16A 250VAC
 LED max load: 200W
 Certificates: CE, S mark
 Conforms with: RoHS, WEEE, LVD
 Complies with the standards: EN 60669-1
 Fire hazard test: 850°C (IEC60695-2-11)
 Working temperature: -25°C to +60°C;
 Installation temperature: -5°C to +25°C

1-pole / 2-way switch (pattern No. 5) with rear-printed wiring diagram for easy installation. Features a thermoplastic rocker and cover plate with a standard 61×61mm central plate. Screwless terminals and flush wiring. Fits wall boxes (60mm c-c), cover plate spacing 84mm.

REFERENCE	PACKAGING OPTIONS	
ETM204XQ	1PCS	8PCS



1+1 pole and 2 way switch

ETM351XQ

IP21

PC

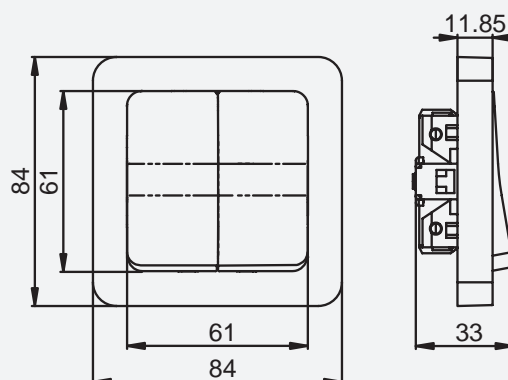
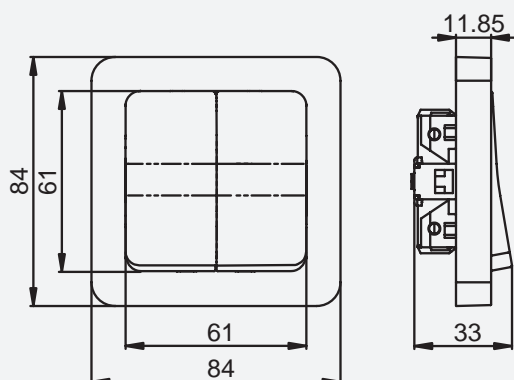
HALOGEN FREE

Colour: white RAL9003 (UV stable), black RAL9017
 Technical data: 16A 250VAC
 LED max load: 200W
 Certificates: CE, S mark
 Conforms with: RoHS, WEEE, LVD
 Complies with the standards: EN 60669-1
 Fire hazard test: 850°C (IEC60695-2-11)
 Working temperature: -25°C to +60°C;
 Installation temperature: -5°C to +25°C

1+1-pole 2-way switch (pattern No. 6+6) with rear-printed wiring diagram for straightforward installation. Features thermoplastic rocker and cover plate with a standard 61×61mm central plate. Includes screwless terminals and flush wiring. Fits wall boxes (60mm c-c), cover plate spacing 84mm.

REFERENCE	PACKAGING OPTIONS	
ETM351XQ	1PCS	8PCS

Technical drawings



Flush switches



2 pole switch

ETM202XQ IP21 PC HALOGEN FREE

Colour: white RAL9003 (UV stable), black RAL9017
 Technical data: 16A 250VAC
 LED max load: 200W
 Certificates: CE, S mark
 Conforms with: RoHS, WEEE, LVD
 Complies with the standards: EN 60669-1
 Fire hazard test: 850°C (IEC60695-2-11)
 Working temperature: -25°C to +60°C;
 Installation temperature: -5°C to +25°C

2-pole switch (pattern No. 2) with wiring diagram printed on the rear for quick installation. Features a thermoplastic rocker and cover plate with a standard 61×61mm central plate. Screwless terminals and flush wiring. Fits wall boxes (60mm c-c), cover plate spacing 84mm.

REFERENCE	PACKAGING OPTIONS	
ETM202XQ	1PCS	8PCS



3 gang switch

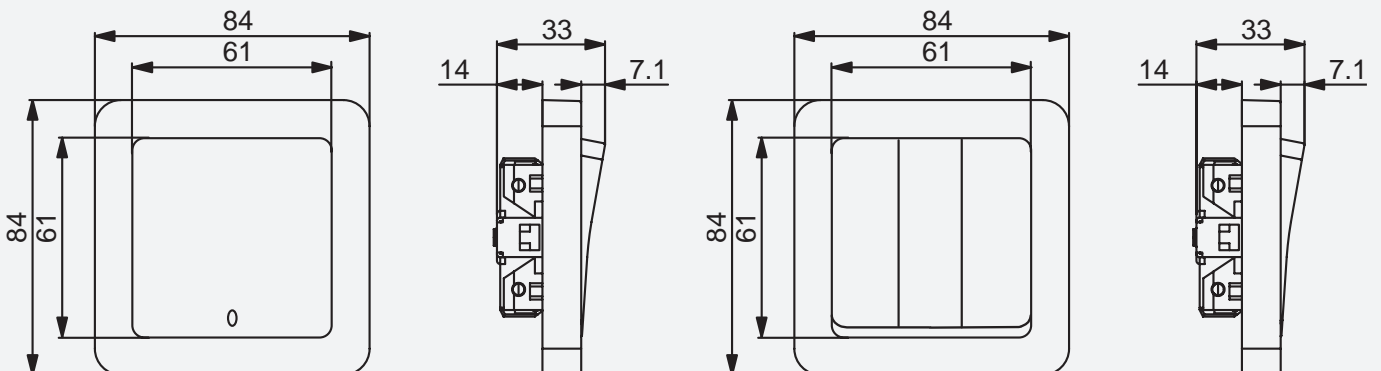
ETM353XQ IP21 PC HALOGEN FREE

Colour: white RAL9003 (UV stable), black RAL9017
 Technical data: 16A 250VAC
 LED max load: 200W
 Certificates: CE, S mark
 Conforms with: RoHS, WEEE, LVD
 Complies with the standards: EN 60669-1
 Fire hazard test: 850°C (IEC60695-2-11)
 Working temperature: -25°C to +60°C;
 Installation temperature: -5°C to +25°C

3-gang switch (pattern No. 1+1+1) with individual control and rear-printed wiring diagram for easy setup. Thermoplastic rocker and cover plate with standard 61×61mm central plate. Features screwless terminals and flush wiring. Fits wall boxes (60mm c-c), cover plate spacing 84mm.

REFERENCE	PACKAGING OPTIONS	
ETM353XQ	1PCS	8PCS

Technical drawings





1+2 pole switch

ETM203XQ

IP21

PC

HALOGEN FREE

Colour: white RAL9003 (UV stable), black RAL9017
 Technical data: 16A 250VAC
 LED max load: 200W
 Certificates: CE, S mark
 Conforms with: RoHS, WEEE, LVD
 Complies with the standards: EN 60669-1
 Fire hazard test: 850°C (IEC60695-2-11)
 Working temperature: -25°C to +60°C;
 Installation temperature: -5°C to +25°C

1-pole / 2-way switch (pattern No. 5) with rear-printed wiring diagram for easy installation. Features a thermoplastic rocker and cover plate with a standard 61×61mm central plate. Screwless terminals and flush wiring. Fits wall boxes (60 mm c-c), cover plate spacing 84mm.

REFERENCE	PACKAGING OPTIONS	
ETM203XQ	1PCS	8PCS



2 pole switch with indication light

ETM202XQL

IP21

PC

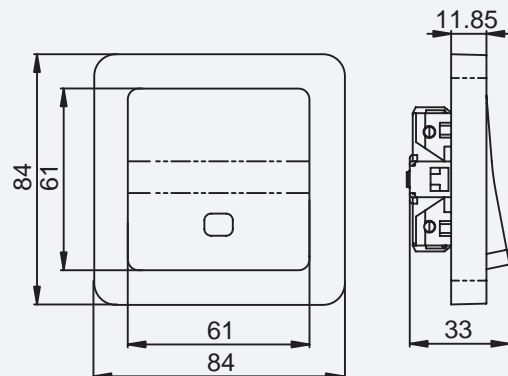
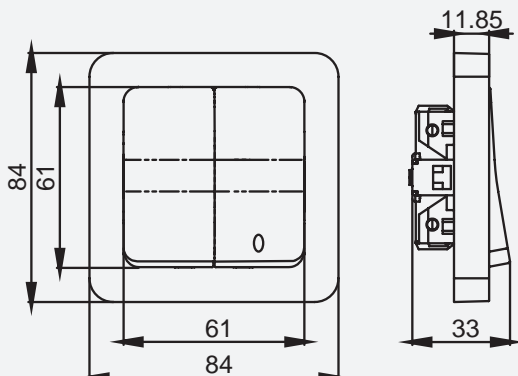
HALOGEN FREE

Colour: white RAL9003 (UV stable), black RAL9017
 Technical data: 16A 250VAC
 LED max load: 200W
 Certificates: CE, S mark
 Conforms with: RoHS, WEEE, LVD
 Complies with the standards: EN 60669-1
 Fire hazard test: 850°C (IEC60695-2-11)
 Working temperature: -25°C to +60°C;
 Installation temperature: -5°C to +25°C

2-pole switch with indicator light (pattern No. 2), featuring a rear-printed wiring diagram for straightforward setup. Made with a thermoplastic rocker and cover plate, standard 61×61mm central plate. Includes screwless terminals and flush wiring. Fits wall boxes (60mm c-c), cover plate spacing 84mm.

REFERENCE	PACKAGING OPTIONS	
ETM202XQL	1PCS	8PCS

Technical drawings



Flush switches



1 pole/2 way switch with indication light

ETM201XQLNP **IP21** **PC** **HALOGEN FREE**

Colour: white RAL9003 (UV stable), black RAL9017
 Technical data: 16A 250VAC
 LED max load: 200W
 Certificates: CE, S mark
 Conforms with: RoHS, WEEE, LVD
 Complies with the standards: EN 60669-1
 Fire hazard test: 850°C (IEC60695-2-11)
 Working temperature: -25°C to +60°C;
 Installation temperature: -5°C to +25°C

1-pole / 2-way switch with indicator light (pattern No. 1/6), ideal for controlling lighting from one or two locations. Wiring diagram printed on the rear. Thermoplastic rocker and cover plate, standard 61×61mm central plate. Screwless terminals, flush wiring. Fits wall boxes (60mm c-c), cover plate spacing 84mm.

REFERENCE	PACKAGING OPTIONS	
ETM201XQLNP	1PCS	8PCS



1 pole/2-way push button switch

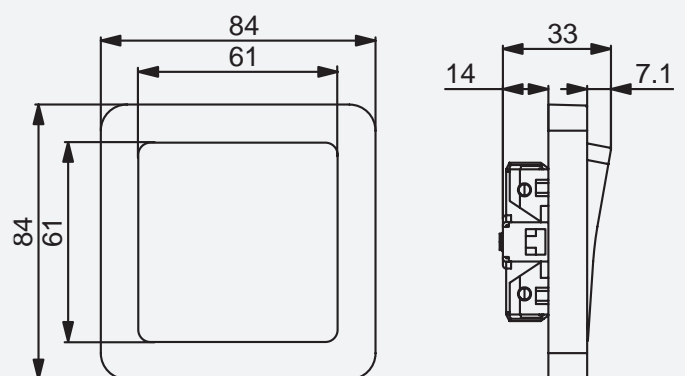
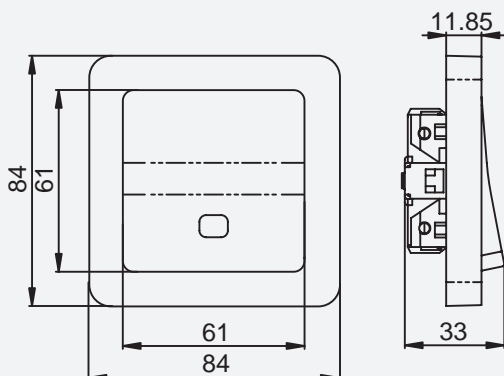
ETM201XQP **IP21** **PC** **HALOGEN FREE**

Colour: white RAL9003 (UV stable), black RAL9017
 Technical data: 16A 250VAC
 LED max load: 200W
 Certificates: CE, S mark
 Conforms with: RoHS, WEEE, LVD
 Complies with the standards: EN 60669-1
 Fire hazard test: 850°C (IEC60695-2-11)
 Working temperature: -25°C to +60°C;
 Installation temperature: -5°C to +25°C

1-pole / 2-way push button switch (pattern No. 1/6) with wiring diagram printed on the rear for easy setup. Features a thermoplastic push button and cover plate, standard 61×61mm central plate. Includes screwless terminals and flush wiring. Fits wall boxes (60mm c-c), cover plate spacing 84mm.

REFERENCE	PACKAGING OPTIONS	
ETM201XQP	1PCS	8PCS

Technical drawings





1 pole/2-way push button switch

ETM204XQP

IP21

PC

HALOGEN FREE

Colour: white RAL9003 (UV stable), black RAL9017
 Technical data: 16A 250VAC
 LED max load: 200W
 Certificates: CE, S mark
 Conforms with: RoHS, WEEE, LVD
 Complies with the standards: EN 60669-1
 Fire hazard test: 850°C (IEC60695-2-11)
 Working temperature: -25°C to +60°C;
 Installation temperature: -5°C to +25°C

1-pole and 2-way push button switch (pattern No. 5) with wiring diagram printed on the rear. Equipped with a thermoplastic push button and cover plate, standard 61×61mm central plate. Features screwless terminals and flush wiring. Fits wall boxes (60mm c-c), cover plate spacing 84mm.

REFERENCE	PACKAGING OPTIONS	
ETM204XQP	1PCS	8PCS



1 pole/2-way push button switch

ETM351XQP

IP21

PC

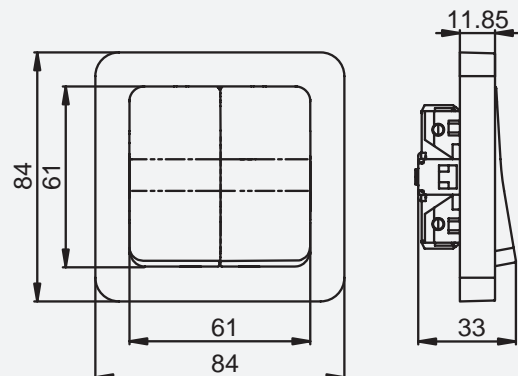
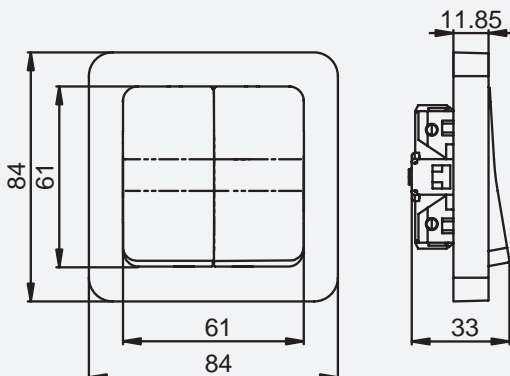
HALOGEN FREE

Colour: white RAL9003 (UV stable), black RAL9017
 Technical data: 16A 250VAC
 LED max load: 200W
 Certificates: CE, S mark
 Conforms with: RoHS, WEEE, LVD
 Complies with the standards: EN 60669-1
 Fire hazard test: 850°C (IEC60695-2-11)
 Working temperature: -25°C to +60°C;
 Installation temperature: -5°C to +25°C

1-pole / 2-way push button switch (pattern No. 1/6) with rear-printed wiring diagram for easy and accurate installation. Features a thermoplastic push button and cover plate with a standard 61×61mm central plate. Screwless terminals and flush wiring. Fits wall boxes (60mm c-c), cover plate spacing 84mm.

REFERENCE	PACKAGING OPTIONS	
ETM351XQP	1PCS	8PCS

Technical drawings



Flush switches



3 gang push button switch

ETM353XQ IP21 PC HALOGEN FREE

Colour: white RAL9003 (UV stable), black RAL9017
 Technical data: 16A 250VAC
 LED max load: 200W
 Certificates: CE, S mark
 Conforms with: RoHS, WEEE, LVD
 Complies with the standards: EN 60669-1
 Fire hazard test: 850°C (IEC60695-2-11)
 Working temperature: -25°C to +60°C;
 Installation temperature: -5°C to +25°C

3-gang push button switch (pattern No. 1+1+1) with individual control and rear-printed wiring diagram. Features thermoplastic push buttons and cover plate with a standard 61×61mm central plate. Includes screwless terminals and flush wiring. Fits wall boxes (60mm c-c), cover plate spacing 84mm.

REFERENCE	PACKAGING OPTIONS	
ETM353XQ	1PCS	8PCS



1 pole shutter push button

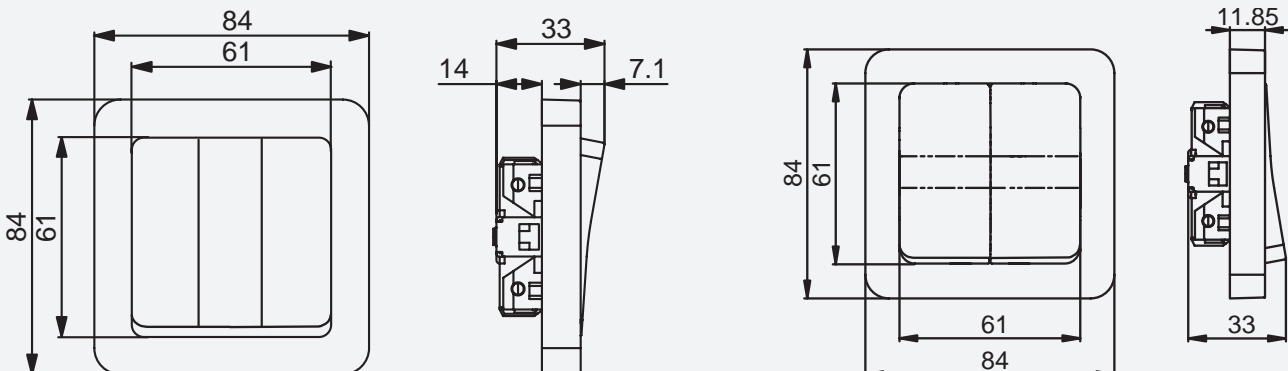
ETM355XQ IP21 PC HALOGEN FREE

Colour: white RAL9003 (UV stable), black RAL9017
 Technical data: 16A 250VAC
 LED max load: 200W
 Certificates: CE, S mark
 Conforms with: RoHS, WEEE, LVD
 Complies with the standards: EN 60669-1
 Fire hazard test: 850°C (IEC60695-2-11)
 Working temperature: -25°C to +60°C;
 Installation temperature: -5°C to +25°C

1-pole push button shutter switch with wiring diagram printed on the rear for straightforward installation. Features a durable thermoplastic rocker and cover plate with a standard 61×61mm central plate. Equipped with screwless terminals and flush wiring. Fits wall boxes (60mm c-c), cover plate spacing 84mm.

REFERENCE	PACKAGING OPTIONS	
ETM355XQ	1PCS	8PCS

Technical drawings





1 pole/2-way switch without frame

ETM201XQW IP21 PC HALOGEN FREE

Colour: white RAL9003 (UV stable), black RAL9017
 Technical data: 16A 250VAC
 LED max load: 200W
 Certificates: CE, S mark
 Conforms with: RoHS, WEEE, LVD
 Complies with the standards: EN 60669-1
 Fire hazard test: 850°C (IEC60695-2-11)
 Working temperature: -25°C to +60°C;
 Installation temperature: -5°C to +25°C

1-pole / 2-way switch (pattern No. 1/6) without frame, designed for flexible installation. Wiring diagram printed on the rear. Features a thermoplastic rocker and cover plate with a 61×61mm standard central plate. Includes screwless terminals and flush wiring. Fits wall boxes (60mm c-c), cover plate spacing 84mm.

REFERENCE	PACKAGING OPTIONS	
ETM201XQW	1PCS	8PCS



1 pole/2-way switch without frame

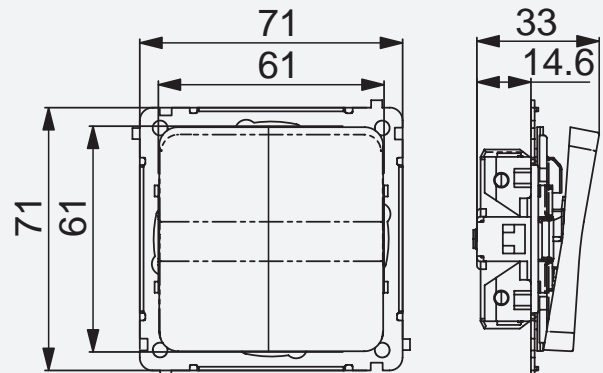
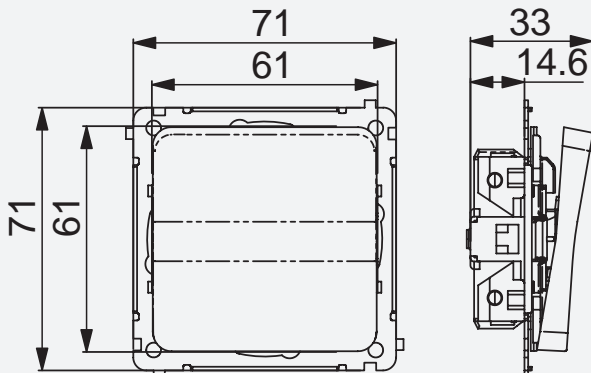
ETM204XQW IP21 PC HALOGEN FREE

Colour: white RAL9003 (UV stable), black RAL9017
 Technical data: 16A 250VAC
 LED max load: 200W
 Certificates: CE, S mark
 Conforms with: RoHS, WEEE, LVD
 Complies with the standards: EN 60669-1
 Fire hazard test: 850°C (IEC60695-2-11)
 Working temperature: -25°C to +60°C;
 Installation temperature: -5°C to +25°C

1-pole and 2-way switch (pattern No. 5) without frame. Rear-printed wiring diagram. Made with a thermoplastic rocker and cover plate, standard 61×61mm central plate. Features screwless terminals and flush wiring. Fits wall boxes (60mm c-c), cover plate spacing 84mm.

REFERENCE	PACKAGING OPTIONS	
ETM204XQW	1PCS	8PCS

Technical drawings



Flush switches



1 pole/2 way switch with screwless terminal, IP44

ETM201XQ44 IP44 PC HALOGEN FREE

Colour: white RAL9003 (UV stable), black RAL9017
 Technical data: 16A 250VAC
 Certificates: CE, Semko
 Conforms with: RoHS, WEEE, LVD
 Complies with the standards: EN 60669-1
 Fire hazard test: 850°C (IEC60695-2-11)
 Working temperature: -25°C to +60°C;
 Installation temperature: -5°C to +25°C

1-pole / 2-way switch (pattern No. 1/6) with IP44 protection, suitable for use in damp environments. Wiring diagram printed on the rear. Thermoplastic rocker and cover plate with standard 61×61mm central plate. Features screwless terminals and flush wiring. Fits wall boxes (60mm c-c), cover plate spacing 84mm.

REFERENCE	PACKAGING OPTIONS	
ETM201XQ44	1PCS	8PCS

2 pole switch with screwless terminal, IP44

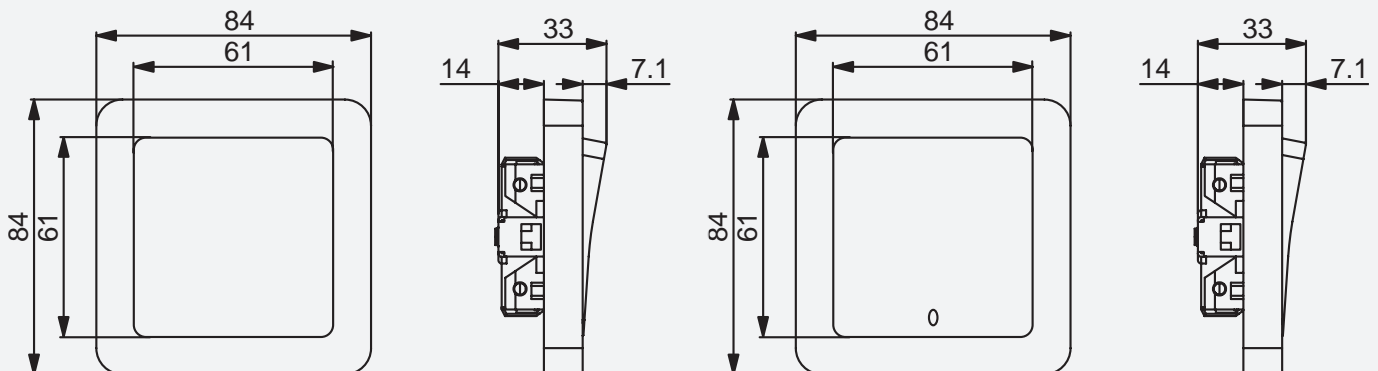
ETM202XQ44 IP44 PC HALOGEN FREE

Colour: white RAL9003 (UV stable), black RAL9017
 Technical data: 16A 250VAC
 Certificates: CE, Semko
 Conforms with: RoHS, WEEE, LVD
 Complies with the standards: EN 60669-1
 Fire hazard test: 850°C (IEC60695-2-11)
 Working temperature: -25°C to +60°C;
 Installation temperature: -5°C to +25°C

2-pole switch (pattern No. 2) with IP44 rating for protection in damp or dusty environments. Wiring diagram printed on the rear. Thermoplastic rocker and cover plate with a standard 61×61mm central plate. Features screwless terminals and flush wiring. Fits wall boxes (60mm c-c), cover plate spacing 84mm.

REFERENCE	PACKAGING OPTIONS	
ETM202XQ44	1PCS	8PCS

Technical drawings





1 pole/2 way switch with screwless terminal, IP44

ETM204XQ44

IP44

PC

HALOGEN FREE

Colour: white RAL9003 (UV stable), black RAL9017

Technical data: 16A 250VAC

Certificates: CE, Semko

Conforms with: RoHS, WEEE, LVD

Complies with the standards: EN 60669-1

Fire hazard test: 850°C (IEC60695-2-11)

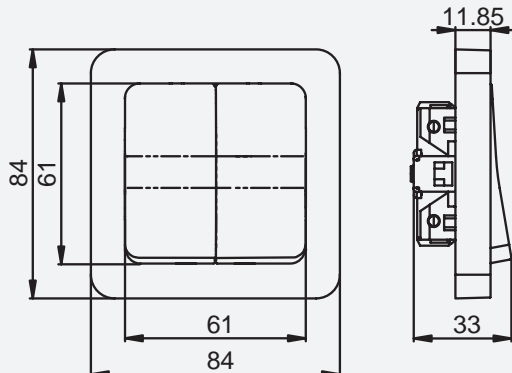
Working temperature: -25°C to +60°C;

Installation temperature: -5°C to +25°C

1-pole / 2-way switch (pattern No. 5) with IP44 protection. Wiring diagram printed on the rear for easy installation. Thermoplastic rocker and cover plate with a standard 61×61mm central plate. Features screwless terminals and flush wiring. Fits wall boxes (60mm c-c), cover plate spacing 84mm.

REFERENCE	PACKAGING OPTIONS	
ETM204XQ44	1PCS	8PCS

Technical drawings



Flush dimmers



Leading/trailing edge dimmer

ETM329X IP21 PC HALOGEN FREE

Colour: white RAL9003 (UV stable), black RAL9017
 Technical data: 16A 230VAC, 50Hz
 Certificates: CE, Semko, EMC
 Conforms with: RoHS, WEEE, LVD, Reach, EMC
 Complies with the standards: EN 60669-1, EN 60669-2-1
 Fire hazard test: 850°C (IEC60695-2-11)
 Working temperature: 0°C to +40°C;
 Neutral conductor: required
 Load type: 230V incandescent lamps (ohmic load, R), 4-400W;
 230V halogen lamps (ohmic load, R), 4-400W; 12V low-voltage
 halogen lamps with dimmable wound (conventional) transformer
 (inductive load, L), 4-400VA, max 2x transformers 150W; max 3x
 transformers 105W; max 5x transformers 70W); 12V low-voltage
 halogen lamps with electronic transformer (capacitive load, C),
 4-400VA, (max 2x transformers 150W; max 3x transformers
 105W; max 5x transformers 70W); dimmable LED lamp (trailing
 edge, RC mode), 4-200VA; dimmable LED lamp (leading edge, RL
 mode), 4-40VA; dimmable LED filament, 4-200VA

REFERENCE	PACKAGING OPTIONS	
ETM329X	1PCS	8PCS

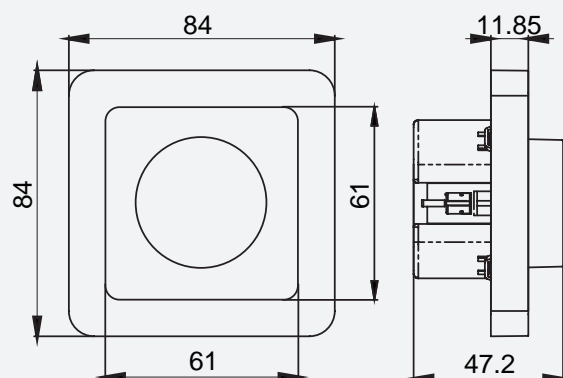
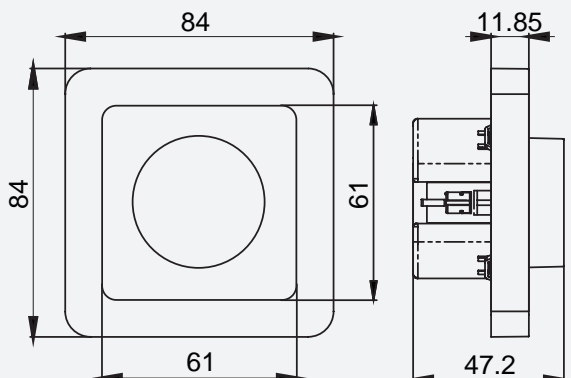
2 pole leading/trailing edge dimmer

ETM323X IP20 PC HALOGEN FREE

Colour: white RAL9003 (UV stable), black RAL9017
 Technical data: 16A 230VAC, 50Hz
 Certificates: CE, Semko, EMC
 Conforms with: RoHS, WEEE, LVD, Reach, EMC
 Complies with the standards: 60669-2-1
 Fire hazard test: 850°C (IEC60695-2-11)
 Working temperature: 0°C to +40°C;
 Neutral conductor: required
 Load type: 230V incandescent lamps (ohmic load, R), 4-400W;
 230V halogen lamps (ohmic load, R), 4-400W; 12V low-voltage
 halogen lamps with dimmable wound (conventional) transformer
 (inductive load, L), 4-400VA, max 2x transformers 150W; max 3x
 transformers 105W; max 5x transformers 70W); 12V low-voltage
 halogen lamps with electronic transformer (capacitive load, C),
 4-400VA, (max 2x transformers 150W; max 3x transformers
 105W; max 5x transformers 70W); dimmable LED lamp (trailing
 edge, RC mode), 4-200VA; dimmable LED lamp (leading edge, RL
 mode), 4-40VA; dimmable LED filament, 4-200VA

REFERENCE	PACKAGING OPTIONS	
ETM323X	1PCS	8PCS

Technical drawings





Digital dimmer with trailing/leading edge

ETM360X

IP21

PC

HALOGEN FREE

Colour: white RAL9003 (UV stable), black RAL9017
 Technical data: 230VAC 50Hz
 Certificates: CE, Intertek, EMC
 Conforms with: RoHS, WEEE, LVD, EMC, REACH
 Complies with the standards: EN 60669-2-1, EN 60669-1
 Fire hazard test: 850°C (IEC60695-2-11)
 Working temperature: -10°C to +35°C
 Load type (L,N): 230V incandescent lamp, 2-400W; 230V halogen lamps, 2-400W; 12V low-voltage halogen lamps with dimmable wound (conventional) transformer, 2-315VA; 12V low-voltage halogen lamps with electronic transformer, 2-315VA; dimmable LED lamp, 2-200VA; dimmable LED lamp, 2-40VA; LED filament, 2-200VA
 Load type (L): 230V incandescent lamp, 2-400W; 230V halogen lamps, 2-400W; 12V low-voltage halogen lamps with electronic transformer, 2-315VA; dimmable LED lamp, 2-200VA

REFERENCE	PACKAGING OPTIONS
ETM360X	1PCS



Digital dimmer with trailing edge

ETM361X

IP21

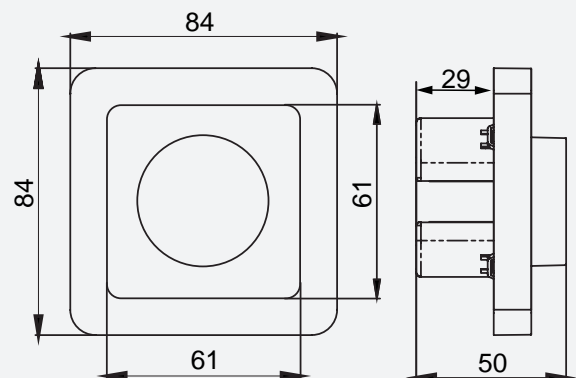
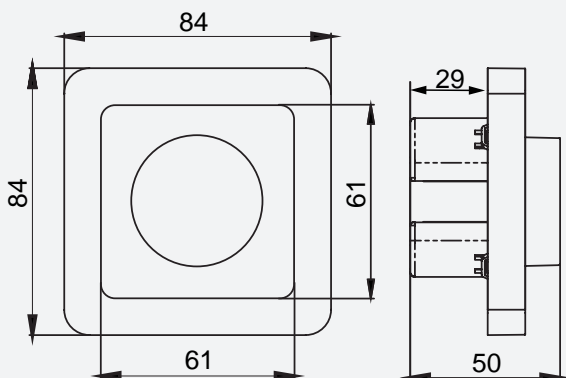
PC

HALOGEN FREE

Colour: white RAL9003 (UV stable), black RAL9017
 Technical data: 230VAC 50Hz
 Certificates: CE, Intertek, EMC
 Conforms with: RoHS, WEEE, LVD, EMC, REACH
 Complies with the standards: EN 60669-2-1, EN 60669-1
 Fire hazard test: 850°C (IEC60695-2-11)
 Working temperature: -10°C to +35°C
 Neutral conductor: not required
 Load type: 230V incandescent lamp (ohmic load, code R), 2-400W; 230V halogen lamps (ohmic load, code R), 2-400W; 12V low-voltage halogen lamps with electronic transformer (capacitive load, code C, 2-315VA; dimmable LED lamp, 2-200VA

REFERENCE	PACKAGING OPTIONS
ETM361X	1PCS

Technical drawings



Other products



Flush type DCL wall socket

ETM713X IP20 PC HALOGEN FREE

Colour: white RAL9003 (UV stable), black RAL9017
 Technical data: 6A 250VAC
 Frequency: 50Hz
 Certificates: Semko, CE
 Conforms with: RoHS, WEEE, LVD, Reach
 Complies with the standards: EN 61995-1, EN 61995-2
 Fire hazard test: 850°C (IEC60695-2-11)
 Working temperature: -25°C to +60°C;
 Installation temperature: -5°C to +25°C

The DCL wall socket for fixed lighting. Features fast connections for rigid conductors up to 2.5 mm² and uses a durable thermoplastic with non-leading composite material. The 61×61mm center plate fits Etman X series. No visible screws. For surface installation, use housing ETM240X or ETM429X.

REFERENCE	PACKAGING OPTIONS	
ETM713X	1PCS	80PCS



Flush type DCL wall socket

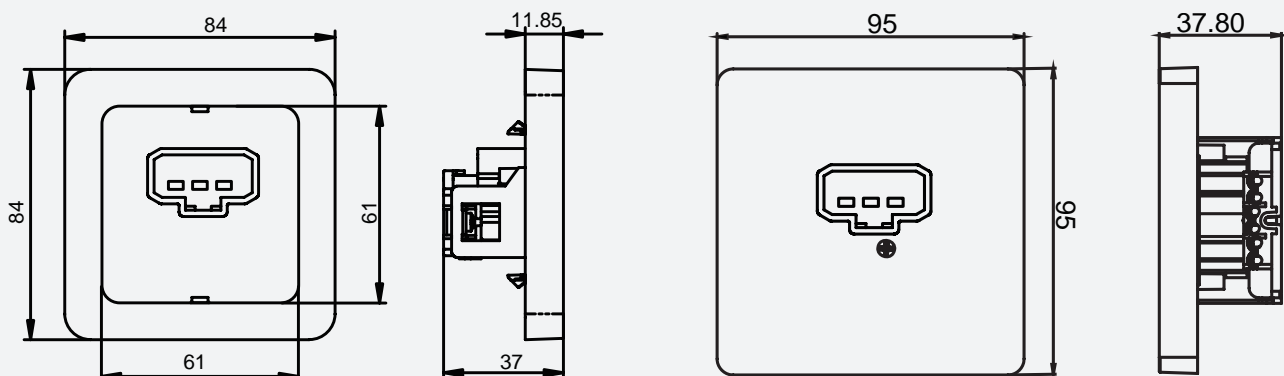
ETM714X IP20 PC HALOGEN FREE

Colour: white RAL9003 (UV stable), black RAL9017
 Technical data: 6A 250VAC
 Frequency: 50Hz
 Certificates: Semko, CE
 Conforms with: RoHS, WEEE, LVD, Reach
 Complies with the standards: EN 61995-1, EN 61995-2
 Fire hazard test: 850°C (IEC60695-2-11)
 Working temperature: -25°C to +60°C;
 Installation temperature: -5°C to +25°C

Flush-mounted DCL wall socket for fixed lighting, compliant with EN 61995. Features fast connections for rigid conductors up to 2.5 mm² and uses a durable thermoplastic with non-leading composite material. Modern, safe, and efficient lighting connection solution.

REFERENCE	PACKAGING OPTIONS	
ETM714X	1PCS	54PCS

Technical drawings





1-way socket with time switch

ETM207XT

IP20

PC

HALOGEN FREE

Colour: white RAL9003 (UV stable), black RAL9017
 Technical data: 16A 230VAC
 Frequency: 50Hz
 Certificates: Semko, CE
 Conforms with: RoHS, WEEE, LVD, EMC, Reach
 Complies with the standards: EN 60730
 Working temperature: 0°C to +55°C;
 Installation temperature: -5°C to +25°C

Flush-mounted single socket with integrated timer, ideal for devices like coffee makers. Easy ON/OFF control with memory of last setting. Timer options range from 5 minutes to 8 hours, with manual override. Features two-pole break for added safety. Surface mounting possible with optional wall cover.

REFERENCE	PACKAGING OPTIONS	
ETM207XT	1PCS	80PCS



Electronic time switch

ETM620X

IP21

PC

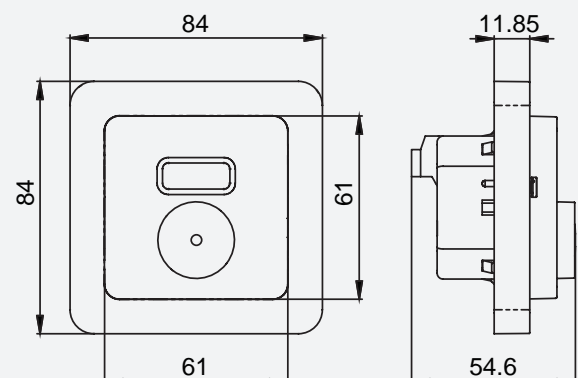
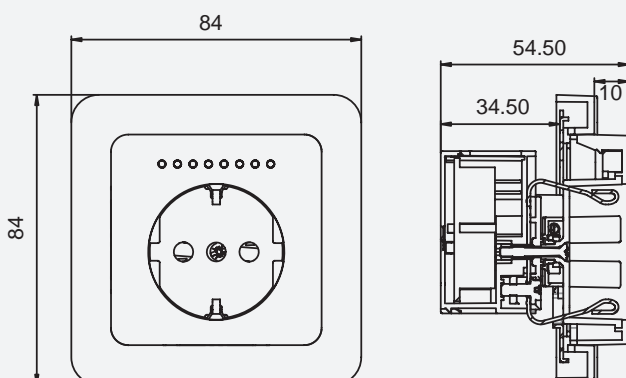
HALOGEN FREE

Colour: white RAL9003 (UV stable), black RAL9017
 Technical data: 10A 250VAC 50/60Hz
 Certificates: Semko, CE
 Conforms with: RoHS, WEEE, LVD, EMC, Reach, Ecodesign
 Complies with the standards: EN 60730-1, EN 60730-2-7
 Fire hazard test: 850°C (IEC60695-2-11)
 Effect: resistive (R) 2500W $\cos \Phi=1$; inductive (L) 360VA/360W x $\cos \Phi$; capacitive (C) 250VA/260W x $\cos \Phi$
 Power consumption: <0.5W

Electronic time switch for 2-pole switching of electrical appliances, ensuring automatic shut-off after a selected time for added safety. Set the switch-off time using the rotary selector. Fits standard 60 mm wall boxes with a 61x61 mm thermoplastic plate. Built-in protection. Surface mounting options available.

REFERENCE	PACKAGING OPTIONS	
ETM620X	1PCS	80PCS

Technical drawings



Other products



2 pole timer with digital display

ETM621X IP21 PC HALOGEN FREE

Colour: white RAL9003 (UV stable), black RAL9017
 Technical data: 16A 230VAC 50/60Hz
 Certificates: Semko, CE
 Conforms with: RoHS, WEEE, LVD, EMC, Reach, Ecodesign
 Complies with the standards: EN 60730-1, EN 60730-2-7
 Fire hazard test: 850°C (IEC60695-2-11)
 Effect: resistive (R) 3600W
 Set up time: 5min, 10min, 15min, 30min, 1h, 2h, 4h, 8h

Recessed 2-pole 16A digital timer, made from scratch-resistant, halogen-free thermoplastic. Features an adjustable timer range from 5min to 8 hours. The touch screen allows easy control and displays the current status. Default setting is 5 minutes; tap the screen to cycle through time options. Fits 60mm device boxes.

REFERENCE	PACKAGING OPTIONS	
ETM621X	1PCS	80PCS



Thermostat without display

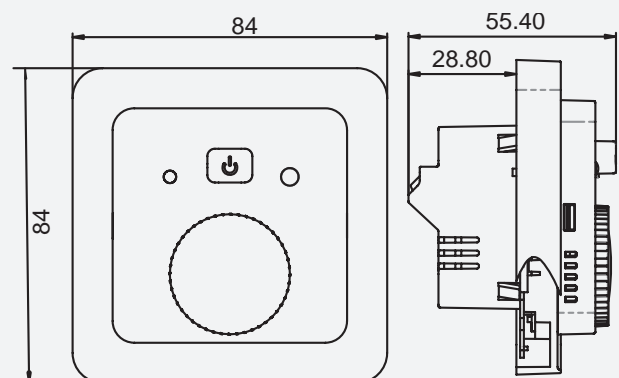
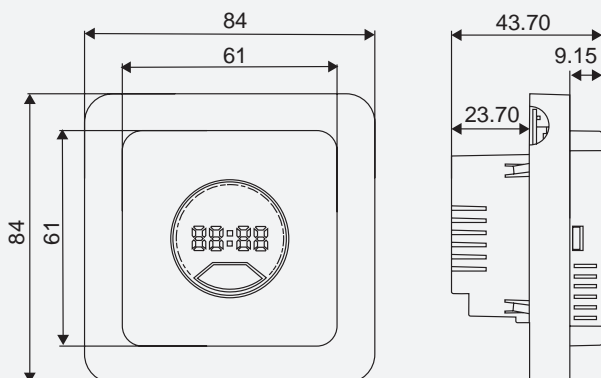
ETM510X IP21 PC HALOGEN FREE

Colour: white RAL9003 (UV stable), black RAL9017
 Technical data: 16A 230VAC
 Frequency: 50Hz
 Certificates: Semko, CE, EMC
 Conforms with: RoHS, WEEE, LVD, Reach, EMC
 Complies with the standards: EN 60730-1, EN 60730-2-9
 Fire hazard test: 850°C (IEC60695-2-11)
 Working temperature: 0°C to +35°C;
 Resistive load: 16A 250VAC (AC1)

Analog thermostat without display, equipped with floor sensor, internal sensor, and max temperature limitation (27°C). Can function as an output regulator and includes a night reduction mode that lowers the temperature by 5°C for 7 hours daily. Night mode activates by holding the button for 3 seconds.

REFERENCE	PACKAGING OPTIONS	
ETM510X	1PCS	8PCS

Technical drawings





Knob accessory for thermostat without display

1 pole / 2-way hotel card reader

ETM510XW-2 IP20 PC HALOGEN FREE

ETM356XQ IP21 PC HALOGEN FREE

Colour: white RAL9003 (UV stable), black RAL9017
 Technical data: 16A 230VAC
 Frequency: 50Hz
 Certificates: Semko, CE, EMC
 Conforms with: RoHS, WEEE, LVD, Reach, EMC
 Complies with the standards: EN 60730-1, EN 60730-2-9
 Fire hazard test: 850°C (IEC60695-2-11)
 Working temperature: 0°C to +35°C;
 Resistive load: 16A 250VAC (AC1)

Colour: white RAL9003 (UV stable), black RAL9017
 Technical data: 16A 250VAC
 Certificates: CE, S mark
 Conforms with: RoHS, WEEE, LVD
 Complies with the standards: EN 60669-1
 Fire hazard test: 850°C (IEC60695-2-11)
 Working temperature: -25°C to +60°C;
 Installation temperature: -5°C to +25°C

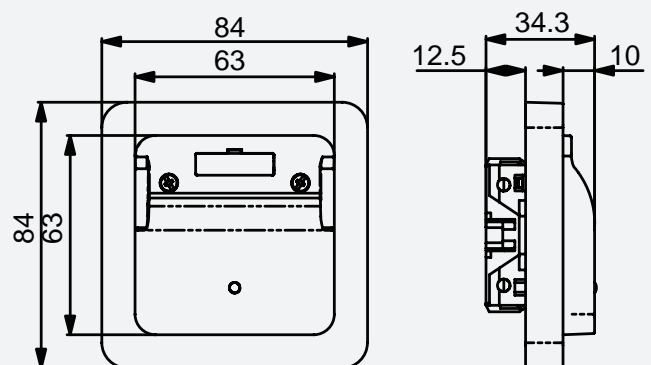
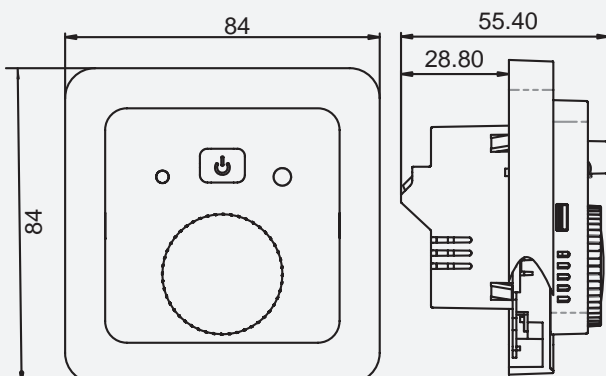
Knob accessory set for X series analog thermostat, designed for precise and user-friendly control. Includes center panel with light guide column, two knobs (temperature range: 5–35°C and 1–10), swivel bracket, and dual swivel frames (blue and red-brown). Comes with two indicator lamps in white and warm white.

1-pole / 2-way hotel card reader with drawing pattern No. 1/6 printed on the back for easy installation reference. Designed for energy-saving control in hotel rooms, the card reader activates power only when a valid card is inserted. Ideal for lighting and electrical circuit management.

REFERENCE	PACKAGING OPTIONS	
ETM510XW-2	1PCS	8PCS

REFERENCE	PACKAGING OPTIONS	
ETM356XQ	1PCS	8PCS

Technical drawings



Other products



8-24V doorbell

ETM638X IP21 PC HALOGEN FREE

Colour: white RAL9003 (UV stable), black RAL9017
 Frequency: 50Hz
 Conforms with: RoHS, WEEE, EMC, Reach
 Complies with the standards: EN 62368-1
 Fire hazard test: 850°C (IEC60695-2-11)
 Working temperature: 0°C to +35°C
 Volume: 80 decibels
 Rated voltage: from 8V to 24V

Doorbell for 8–24V connection, featuring three selectable ringing tones and three adjustable volume levels. Hidden front screws for a clean finish. Fits standard wall boxes and can be installed standalone or within a switch frame. Equipped with screw terminals for cable sizes 0.5–2.5 mm².

REFERENCE	PACKAGING OPTIONS	
ETM638X	1PCS	80PCS



230V doorbell

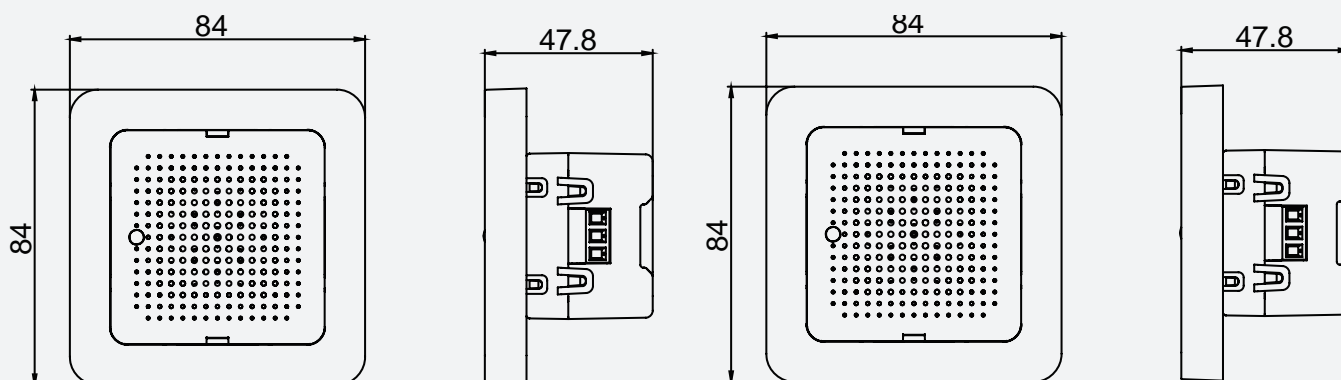
ETM630X IP20 PC HALOGEN FREE

Colour: white RAL9003 (UV stable), black RAL9017
 Technical info: 230VAC
 Frequency: 50Hz
 Certificates: CE, Intertek
 Conforms with: RoHS, WEEE, EMC, Reach, LVD
 Complies with the standards: EN 62368-1
 Fire hazard test: 850°C (IEC60695-2-11)
 Working temperature: 0°C to +35°C
 Volume: 3, max about 80dB(A)/1m

Doorbell with three selectable ringing sounds and three volume levels. Fits standard wall boxes and can be mounted individually or within a switch frame. For surface mounting, use the Series X wall frame (see accessories). Screw terminals for 1.5–2.5 mm² cables. Max 5 doorbells per circuit.

REFERENCE	PACKAGING OPTIONS	
ETM630X	1PCS	80PCS

Technical drawings





Doorbell button

ETM340XP

IP44

PC

HALOGEN FREE

Colour: white RAL9003 (UV stable), black RAL9017
 Technical data: 24VDC 2A, 250V~2(1)A
 Certificates: Semko, CE
 Conforms with: RoHS, WEEE, LVD, Reach
 Complies with the standards: IEC61058-1
 Fire hazard test: 850°C (IEC60695-2-11)
 Terminal type: PZ1 0.75mm² - 2.5mm²
 Wire gauge: 0.75 - 1.0

DesignX white wall-mounted call button, suitable for both low and high current applications. Features IP44 protection for reliable use in indoor or sheltered outdoor areas. Supports screw connections (0.75–2.5 mm², PZ1). Rated for max 24V DC / 2A and 250V AC / 2A. Clean design, durable performance.

REFERENCE	PACKAGING OPTIONS	
ETM340XP	1PCS	10PCS



Doorbell button

ETM214XD44

IP44

PC

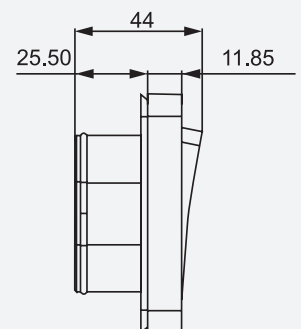
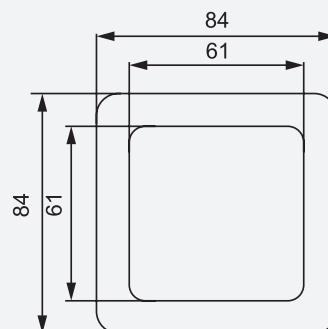
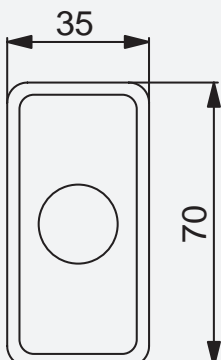
HALOGEN FREE

Colour: white RAL9003 (UV stable), black RAL9017
 Technical data: 16A 250VAC
 Certificates: CE, S mark
 Conforms with: RoHS, WEEE, LVD
 Fire hazard test: 850°C (IEC60695-2-11)
 Working temperature: -25°C to +60°C;
 Installation temperature: -5°C to +25°C
 Torque on termination screw: 1.2Nm

Doorbell button with removable attachment frame, allowing easy installation in IP44 combination frames (note: not compatible with IP20 frames due to different attachment). A rear gasket ensures IP44 sealing when mounted on flat surfaces, uneven walls may compromise the seal. Supports up to 2.5 mm² cables.

REFERENCE	PACKAGING OPTIONS	
ETM214XD44	1PCS	8PCS

Technical drawings



Other products



TV antenna outlet cover with frame

ETM213XW IP20 PC HALOGEN FREE

Colour: white RAL9003 (UV stable), black RAL9017
 Technical data: 75 ohm, 7dB
 Conforms with: RoHS, WEEE
 Fire hazard test: 850°C (IEC60695-2-11)
 Working temperature: -25°C to +60°C
 Installation temperature: -5°C to +25°C

Flush-mounted TV antenna outlet cover with frame, designed for coaxial connections. Includes a 75-ohm end terminator and a single Pozidriv screw for secure fastening. Fits standard wall boxes with 60 mm screw distance. For flush mounting with surface cable entry

REFERENCE	PACKAGING OPTIONS	
ETM213XW	1PCS	320PCS



TV antenna outlet cover without frame

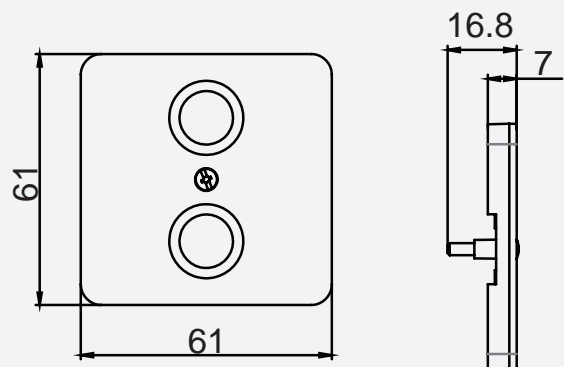
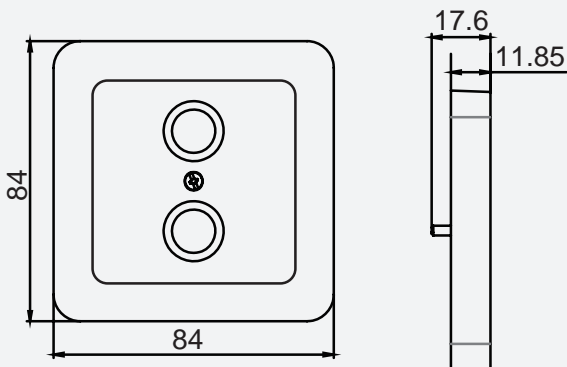
ETM213XW-2 IP20 PC HALOGEN FREE

Colour: white RAL9003 (UV stable), black RAL9017
 Technical data: 75 ohm, 7dB
 Conforms with: RoHS, WEEE
 Fire hazard test: 850°C (IEC60695-2-11)
 Working temperature: -25°C to +60°C
 Installation temperature: -5°C to +25°C

Flush-mounted TV antenna outlet cover without frame, designed for coaxial connections. Includes a 75-ohm end terminator and a single Pozidriv screw for secure fastening. Fits standard wall boxes with 60 mm screw distance. For flush mounting with surface cable entry.

REFERENCE	PACKAGING OPTIONS	
ETM213XW-2	1PCS	320PCS

Technical drawings





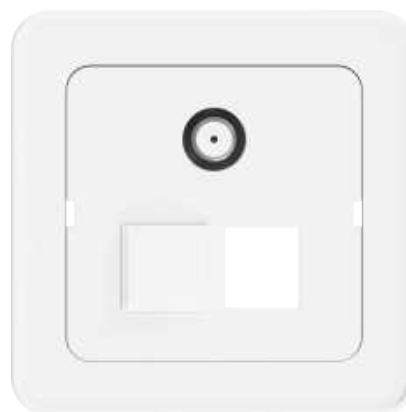
TV and 2xRJ45 outlet cover with frame, coax/F-type

ETM210XW+C **IP20** **PC** **HALOGEN FREE**

Colour: white RAL9003 (UV stable), black RAL9017
 Technical data: 75 ohm, 7dB
 Conforms with: RoHS, WEEE
 Fire hazard test: 850°C (IEC60695-2-11)
 Working temperature: -25°C to +60°C
 Installation temperature: -5°C to +25°C

Flush-mounted RJ45 + TV antenna cover with frame, designed for 2x Keystone jacks (RJ45) and 1x coax/F-type antenna connector. Includes a blind plug for unused Keystone slot. Screwless thermoplastic center plate (61×61 mm) snaps into X series combination plates. Fits wall boxes cc 60 mm distance.

REFERENCE	PACKAGING OPTIONS	
ETM210XW+C	1PCS	80PCS



TV and 2xRJ45 outlet cover with frame, F-type/F type

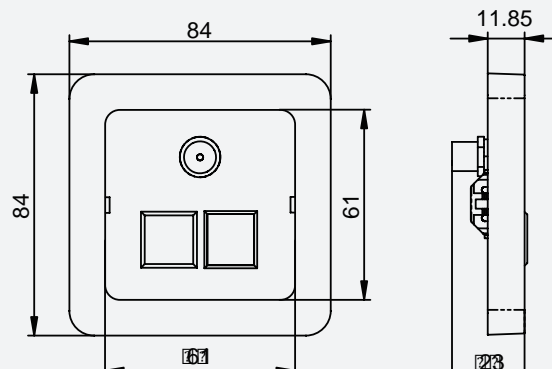
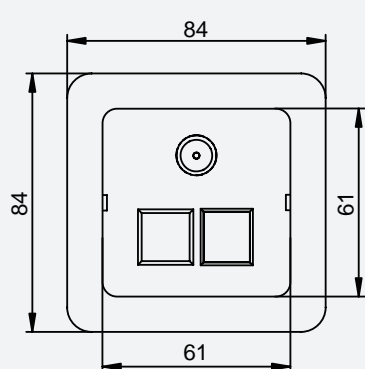
ETM210XW+F **IP20** **PC** **HALOGEN FREE**

Colour: white RAL9003 (UV stable), black RAL9017
 Technical data: 75 ohm, 7dB
 Conforms with: RoHS, WEEE
 Fire hazard test: 850°C (IEC60695-2-11)
 Working temperature: -25°C to +60°C
 Installation temperature: -5°C to +25°C

Flush-mounted RJ45 + TV antenna cover with frame, designed for 2x Keystone jacks (RJ45) and 1x F-type /F-type antenna connector. Includes a blind plug for unused Keystone slot. Screwless thermoplastic center plate (61×61 mm) snaps into X series combination plates. Fits wall boxes cc 60 mm distance.

REFERENCE	PACKAGING OPTIONS	
ETM210XW+F	1PCS	80PCS

Technical drawings



Other products



RJ45 cover with frame

ETM211XWB IP20 PC HALOGEN FREE

Colour: white RAL9003 (UV stable), black RAL9017
 Conforms with: RoHS, WEEE
 Fire hazard test: 850°C (IEC60695-2-11)
 Working temperature: -25°C to +60°C
 Installation temperature: -5°C to +25°C
 Keystone size: 14.6×19.2mm

Flush-mounted RJ45 cover for 1x Keystone jack (14.6×19.2 mm) with a frame but without a module. Screwless 61×61 mm thermoplastic plate fits X series. Extra spacing suits wider connectors like AMP. Use ETM240X housing for surface cable entry over flush boxes.

REFERENCE	PACKAGING OPTIONS	
ETM211XWB	1PCS	80PCS



2xRJ45 cover with frame

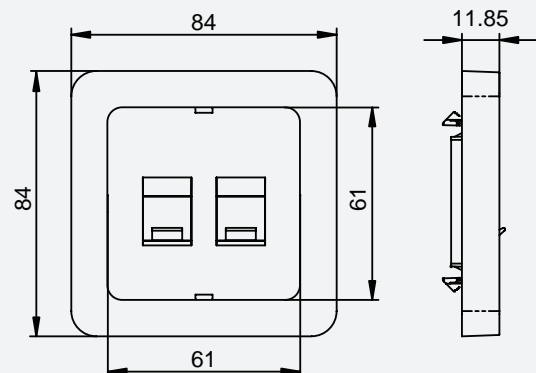
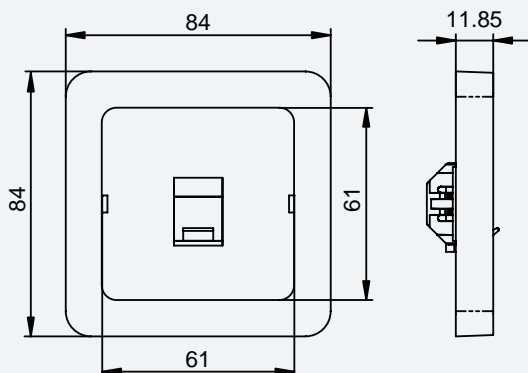
ETM210XWB IP20 PC HALOGEN FREE

Colour: white RAL9003 (UV stable), black RAL9017
 Conforms with: RoHS, WEEE
 Fire hazard test: 850°C (IEC60695-2-11)
 Working temperature: -25°C to +60°C
 Installation temperature: -5°C to +25°C
 Keystone size: 14.6×19.2mm

Flush-mounted RJ45 cover for 2x Keystone jack (14.6×19.2 mm) with a frame but without a module. Screwless 61×61 mm thermoplastic plate fits X series. Extra spacing suits wider connectors like AMP. Use ETM240X housing for surface cable entry over flush boxes.

REFERENCE	PACKAGING OPTIONS	
ETM210XWB	1PCS	80PCS

Technical drawings





2xRJ45 cover without frame

ETM210XWB-2 IP20 PC HALOGEN FREE

Colour: white RAL9003 (UV stable), black RAL9017
 Conforms with: RoHS, WEEE
 Fire hazard test: 850°C (IEC60695-2-11)
 Working temperature: -25°C to +60°C
 Installation temperature: -5°C to +25°C
 Keystone size: 14.6×19.2mm

Flush-mounted RJ45 cover for 2x Keystone jack (14.6×19.2 mm) without a frame and module. Screwless 61×61 mm thermoplastic plate fits X series. Extra spacing suits wider connectors like AMP. Use ETM240X housing for surface cable entry over flush boxes.

REFERENCE	PACKAGING OPTIONS	
ETM210XWB-2	1PCS	80PCS



Double button plate

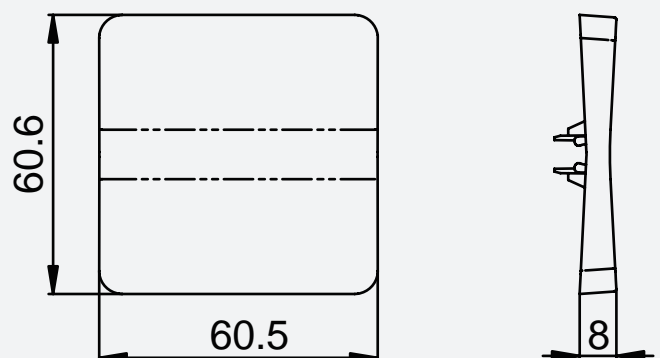
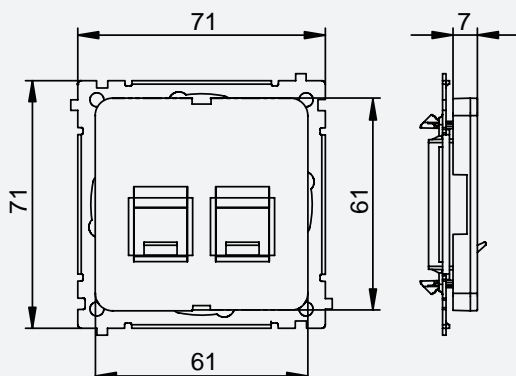
ETM493X-1 IP20 PC HALOGEN FREE

Colour: white RAL9003 (UV stable), black RAL9017
 Conforms with: RoHS, WEEE
 Fire hazard test: 850°C (IEC60695-2-11)
 Working temperature: -25°C to +60°C
 Installation temperature: -5°C to +25°C

Double plastic rocker for switches, featuring laser-printed markings that clearly indicate each button's function. Durable design ensures reliable performance and a clean, professional look in any installation.

REFERENCE	PACKAGING OPTIONS	
ETM493X-1	1PCS	10PCS

Technical drawings



Other products



Double button plate with key symbol

ETM493X IP20 PC HALOGEN FREE

Colour: white RAL9003 (UV stable), black RAL9017
 Conforms with: RoHS, WEEE
 Fire hazard test: 850°C (IEC60695-2-11)
 Working temperature: -25°C to +60°C
 Installation temperature: -5°C to +25°C

Double plastic rocker for switches, featuring laser-printed key markings that clearly indicate each button's function. Durable design ensures reliable performance and a clean, professional look in any installation.

REFERENCE	PACKAGING OPTIONS	
ETM493X	1PCS	10PCS



Button plate for dimming lights

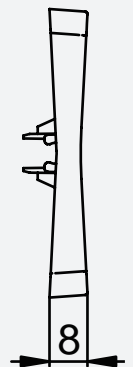
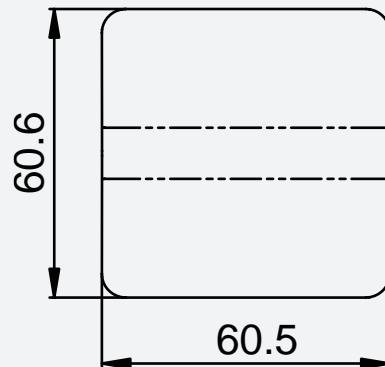
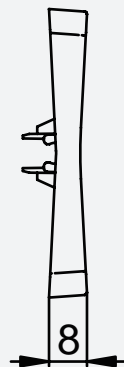
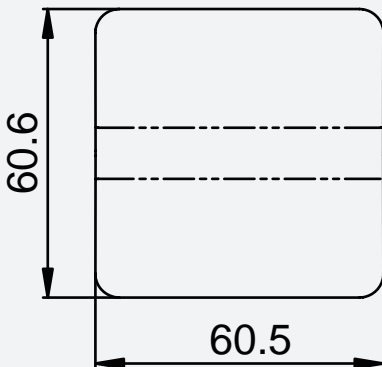
IP20 PC HALOGEN FREE

Colour: white RAL9003 (UV stable), black RAL9017
 Conforms with: RoHS, WEEE
 Fire hazard test: 850°C (IEC60695-2-11)
 Working temperature: -25°C to +60°C
 Installation temperature: -5°C to +25°C

Double plastic rocker for switches, featuring laser-printed dimmer markings that clearly indicate each button's function. Durable design ensures reliable performance and a clean, professional look in any installation.

REFERENCE	DESCRIPTION
ETM493X-3	Single rocker with dimmer logo
ETM492X-3L	Double rocker with dimmer logo, left
ETM492X-3R	Double rocker with dimmer logo, right

Technical drawings





Blind plate without steel bracket

ETM263X IP20 PC HALOGEN FREE

Colour: white RAL9003 (UV stable), black RAL9017
 Conforms with: RoHS, WEEE
 Fire hazard test: 850°C (IEC60695-2-11)
 Working temperature: -25°C to +60°C
 Installation temperature: -5°C to +25°C

Plastic blind plate for covering unused socket or switch positions. Ideal for use with multi-frames, ensuring a clean and uniform finish. Simple to install and blends seamlessly with other components.

REFERENCE	PACKAGING OPTIONS	
ETM263X	1PCS	10PCS



Blind plate with steel bracket

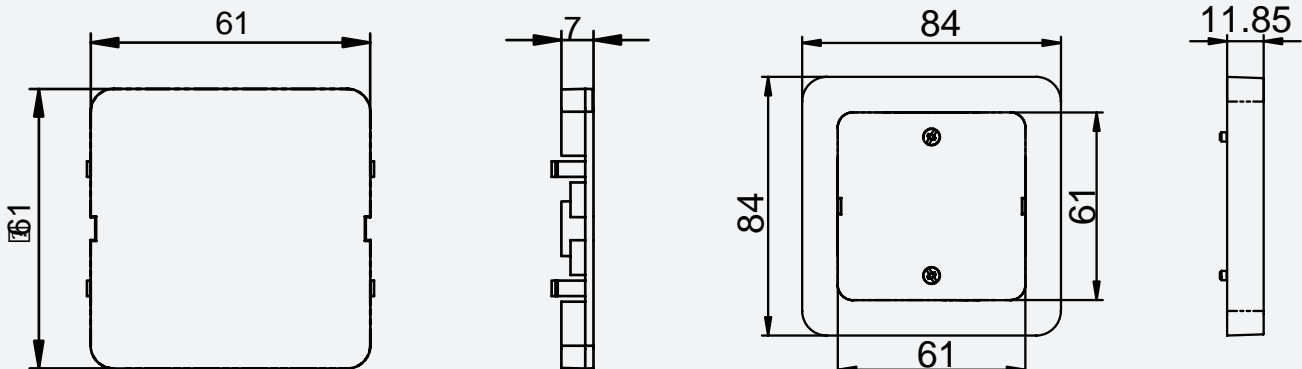
ETM264X IP20 PC HALOGEN FREE

Colour: white RAL9003 (UV stable), black RAL9017
 Conforms with: RoHS, WEEE
 Fire hazard test: 850°C (IEC60695-2-11)
 Working temperature: -25°C to +60°C
 Installation temperature: -5°C to +25°C

Plastic blind plate with steel bracket for covering unused socket or switch positions. Ideal for use with multi-frames, ensuring a clean and uniform finish. Simple to install and blends seamlessly with other components.

REFERENCE	PACKAGING OPTIONS	
ETM264X	1PCS	10PCS

Technical drawings



Frames



One-way combi frame

ETM262X IP20 PC HALOGEN FREE

Colour: white RAL9003 (UV stable), black RAL9017
 Conforms with: RoHS, WEEE
 Fire hazard test: 850°C (IEC60695-2-11)
 Working temperature: -25°C to +60°C
 Installation temperature: -5°C to +25°C

1-way combination frame for DesignX products, available in matt white or black. Suitable for recessed installation or with matching wall casings. No extra mounting frame needed - Series X products include it by default.

REFERENCE	PACKAGING OPTIONS	
ETM262X	1PCS	105PCS



Two-way combi frame

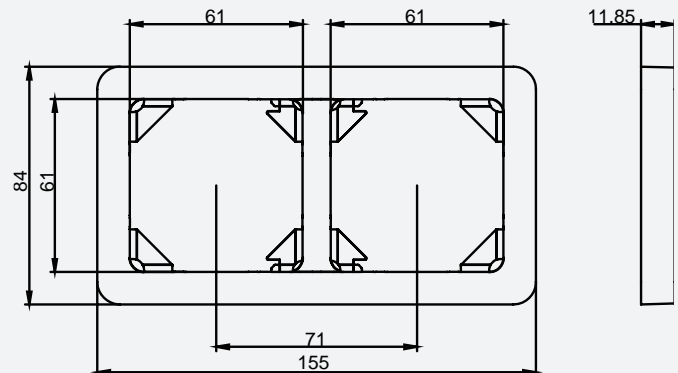
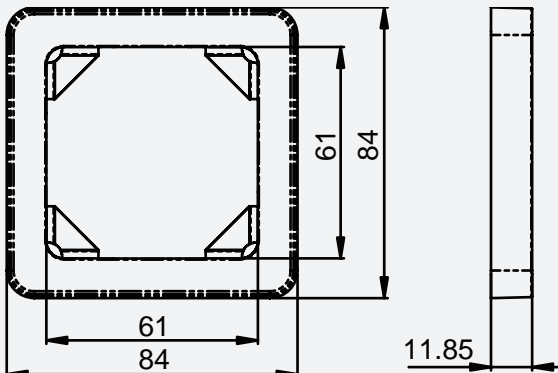
ETM205X IP20 PC HALOGEN FREE

Colour: white RAL9003 (UV stable), black RAL9017
 Conforms with: RoHS, WEEE
 Fire hazard test: 850°C (IEC60695-2-11)
 Working temperature: -25°C to +60°C
 Installation temperature: -5°C to +25°C

2-way combination frame available in matt white or black. Designed for recessed installation or use with wall casings of matching size. No extra mounting frame needed - it's included with all Series X products. Features removable spacers for flexible installation.

REFERENCE	PACKAGING OPTIONS	
ETM205X	1PCS	60PCS

Technical drawings





Three-way combi frame

ETM206X

IP20

PC

HALOGEN FREE

Colour: white RAL9003 (UV stable), black RAL9017
 Conforms with: RoHS, WEEE
 Fire hazard test: 850°C (IEC60695-2-11)
 Working temperature: -25°C to +60°C
 Installation temperature: -5°C to +25°C

3-way combination frame available in matt white or black. Designed for recessed installation or use with wall casings of matching size. Features removable spacers for flexible installation in double boxes, including 3-way or 2+2 configurations.

REFERENCE	PACKAGING OPTIONS	
ETM206X	1PCS	35PCS



Two-way combi frame, IP44

ETM205X44

IP44

PC

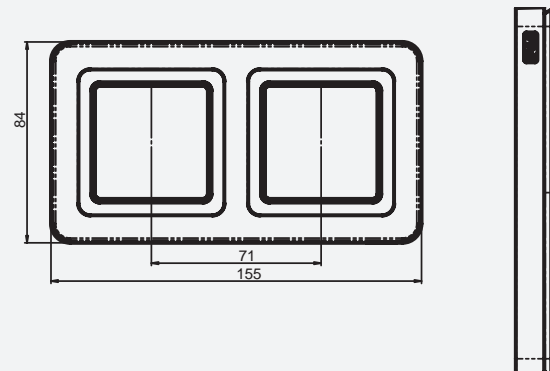
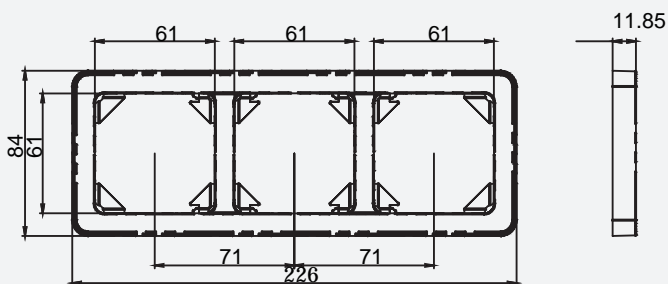
HALOGEN FREE

Colour: white RAL9003 (UV stable), black RAL9017
 Conforms with: RoHS, WEEE
 Fire hazard test: 850°C (IEC60695-2-11)
 Working temperature: -25°C to +60°C
 Installation temperature: -5°C to +25°C

2-way IP44 combi frame for Series X switches and sockets. Includes rear gasket - must be mounted on flat surfaces for proper sealing. Only compatible with IP44 products; IP20 and IP21 versions do not fit.

REFERENCE	PACKAGING OPTIONS	
ETM205X44	1PCS	

Technical drawings



Frames



Four-way combi frame

ETM234X IP20 PC HALOGEN FREE

Colour: white RAL9003 (UV stable), black RAL9017
 Conforms with: RoHS, WEEE
 Fire hazard test: 850°C (IEC60695-2-11)
 Working temperature: -25°C to +60°C
 Installation temperature: -5°C to +25°C

4-way combination frame available in matt white or black. Designed for recessed installation or use with wall casings of matching size. Features removable spacers for flexible installation in double boxes, including 3-way or 2+2 configurations.

REFERENCE	PACKAGING OPTIONS	
ETM234X	1PCS	30PCS



Five-way combi frame

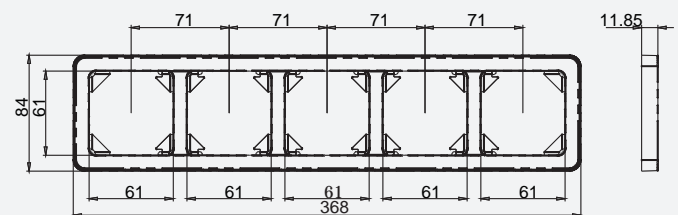
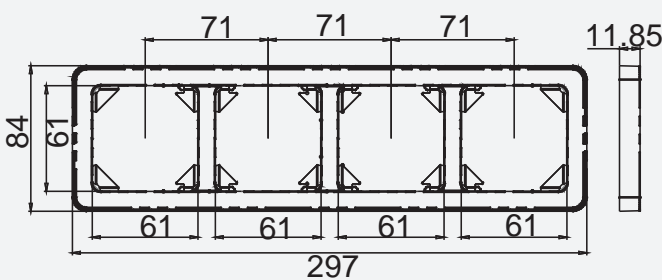
ETM295X IP20 PC HALOGEN FREE

Colour: white RAL9003 (UV stable), black RAL9017
 Conforms with: RoHS, WEEE
 Fire hazard test: 850°C (IEC60695-2-11)
 Working temperature: -25°C to +60°C
 Installation temperature: -5°C to +25°C

5-way combination frame available in matt white or black. Designed for recessed installation or use with wall casings of matching size. Features removable spacers for flexible installation in double boxes, including 3-way or 2+2 configurations.

REFERENCE	PACKAGING OPTIONS	
ETM295X	1PCS	25PCS

Technical drawings





2S one-way frame

ETM304X

IP20

PC

HALOGEN FREE

Colour: white RAL9003 (UV stable), black RAL9017
 Conforms with: RoHS, WEEE
 Fire hazard test: 850°C (IEC60695-2-11)
 Working temperature: -25°C to +60°C
 Installation temperature: -5°C to +25°C



2S two-way frame

ETM308X

IP20

PC

HALOGEN FREE

Colour: white RAL9003 (UV stable), black RAL9017
 Conforms with: RoHS, WEEE
 Fire hazard test: 850°C (IEC60695-2-11)
 Working temperature: -25°C to +60°C
 Installation temperature: -5°C to +25°C

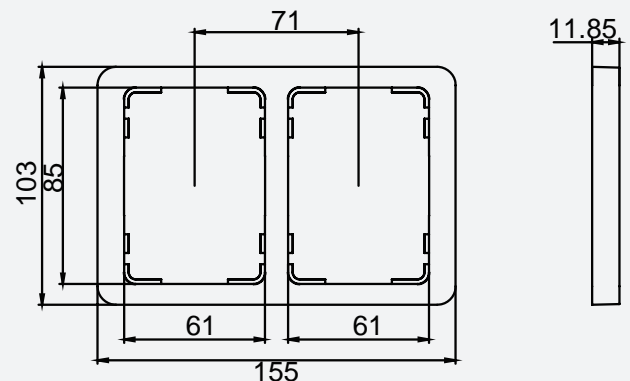
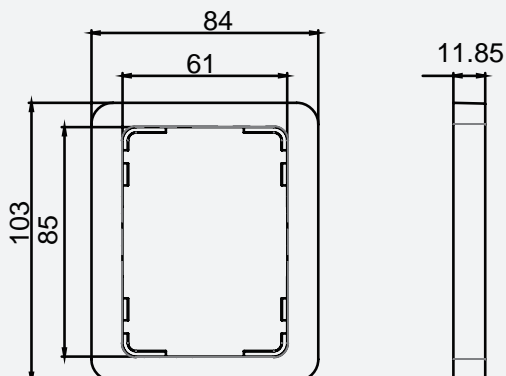
2S combi frame available in matt white and black, designed to fit 2S high and low sockets in standard round or 1.5-gang wall boxes. With the included 2S adapter, the frame also supports accessories like USB chargers, 3x Euro plug modules, and data or antenna outlets, offering flexible and practical installation.

2S 2-way combi frame available in matt white and black, designed to fit 2S high and low sockets in standard round or 1.5-gang wall boxes. With the included 2S adapter, the frame also supports accessories like USB chargers, 3x Euro plug modules, and data or antenna outlets, offering flexible installation.

REFERENCE	PACKAGING OPTIONS	
ETM304X	1PCS	60PCS

REFERENCE	PACKAGING OPTIONS	
ETM308X	1PCS	36PCS

Technical drawings



Frames



2S three-way frame

ETM309X IP20 PC HALOGEN FREE

Colour: white RAL9003 (UV stable), black RAL9017
 Conforms with: RoHS, WEEE
 Fire hazard test: 850°C (IEC60695-2-11)
 Working temperature: -25°C to +60°C
 Installation temperature: -5°C to +25°C

2S 3-way combi frame available in matt white and black, designed to fit 2S high and low sockets in standard round or 1.5-gang wall boxes. With the included 2S adapter, the frame also supports accessories like USB chargers, 3x Euro plug modules, and data or antenna outlets, offering flexible installation.

REFERENCE	PACKAGING OPTIONS	
ETM309X	1PCS	21PCS



2S four-way frame

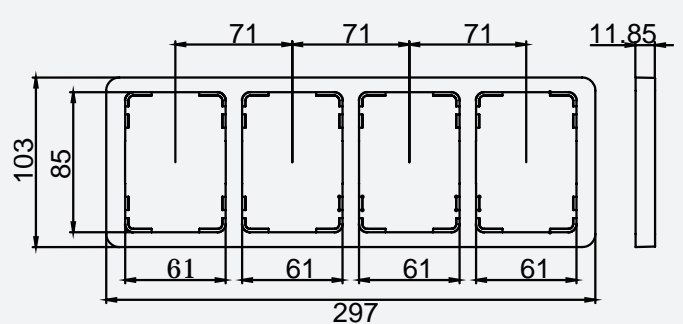
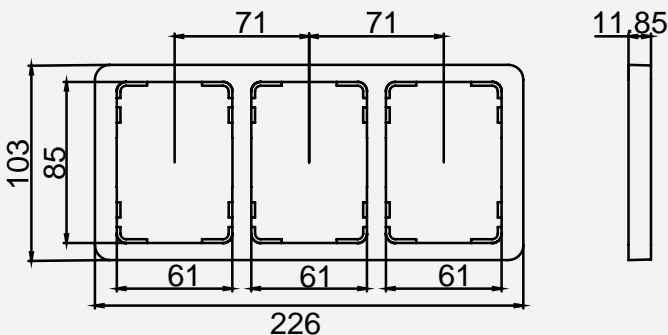
ETM310X IP20 PC HALOGEN FREE

Colour: white RAL9003 (UV stable), black RAL9017
 Conforms with: RoHS, WEEE
 Fire hazard test: 850°C (IEC60695-2-11)
 Working temperature: -25°C to +60°C
 Installation temperature: -5°C to +25°C

2S 4-way combi frame available in matt white and black, designed to fit 2S high and low sockets in standard round or 1.5-gang wall boxes. With the included 2S adapter, the frame also supports accessories like USB chargers, 3x Euro plug modules, and data or antenna outlets, offering flexible installation.

REFERENCE	PACKAGING OPTIONS	
ETM310X	1PCS	18PCS

Technical drawings





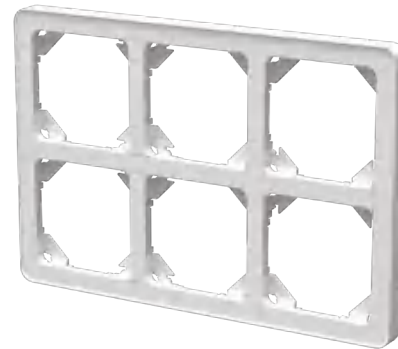
2S five-way frame

ETM318X IP20 PC HALOGEN FREE

Colour: white RAL9003 (UV stable), black RAL9017
 Conforms with: RoHS, WEEE
 Fire hazard test: 850°C (IEC60695-2-11)
 Working temperature: -25°C to +60°C
 Installation temperature: -5°C to +25°C

2S 5-way combi frame available in matt white and black, designed to fit 2S high and low sockets in standard round or 1.5-gang wall boxes. With the included 2S adapter, the frame also supports accessories like USB chargers, 3x Euro plug modules, and data or antenna outlets, offering flexible installation.

REFERENCE	PACKAGING OPTIONS	
ETM318X	1PCS	100PCS



3x2 one-way combi frame

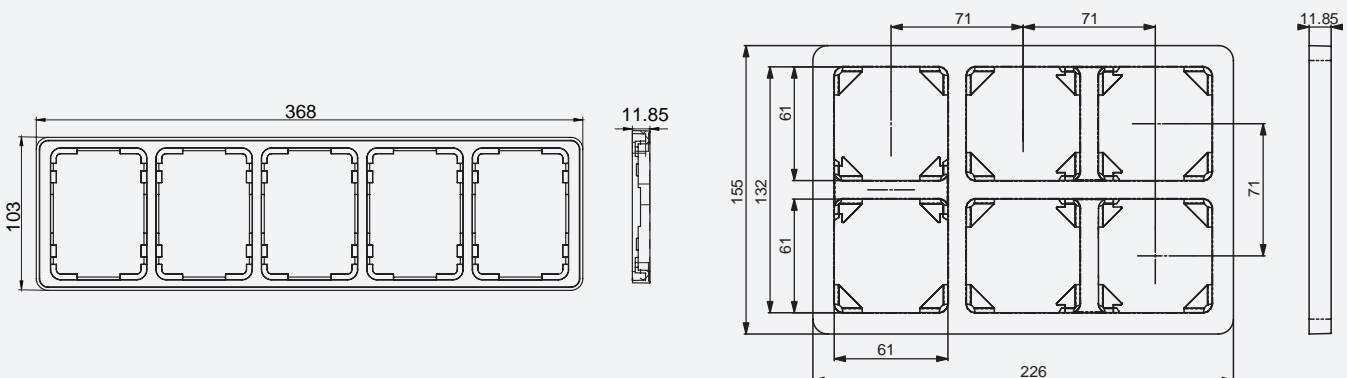
ETM317X IP20 PC HALOGEN FREE

Colour: white RAL9003 (UV stable), black RAL9017
 Conforms with: RoHS, WEEE
 Fire hazard test: 850°C (IEC60695-2-11)
 Working temperature: -25°C to +60°C
 Installation temperature: -5°C to +25°C

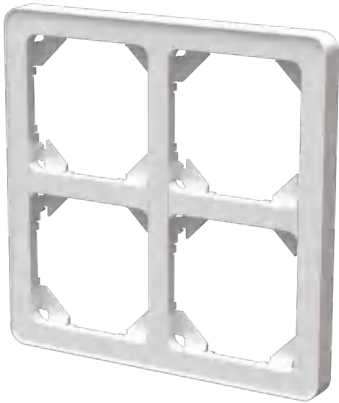
6-way combi frame available in matt white and black, designed for flexible installations. Can be converted into a 3-way frame for 3S sockets by removing the partition attachments. Ideal for combining multiple devices in a clean, seamless setup.

REFERENCE	PACKAGING OPTIONS	
ETM317X	1PCS	52PCS

Technical drawings



Frames



2X2 one-way combi frame

ETM316X IP20 PC HALOGEN FREE

Colour: white RAL9003 (UV stable), black RAL9017
 Conforms with: RoHS, WEEE
 Fire hazard test: 850°C (IEC60695-2-11)
 Working temperature: -25°C to +60°C
 Installation temperature: -5°C to +25°C

4-way combi frame available in matt white and black, designed for flexible installations. Can be converted into a 2-way frame for 3S sockets by removing the partition attachments. Ideal for combining multiple devices in a clean, seamless setup.

REFERENCE	PACKAGING OPTIONS	
ETM316X	1PCS	80PCS



Adapters for 2S frames

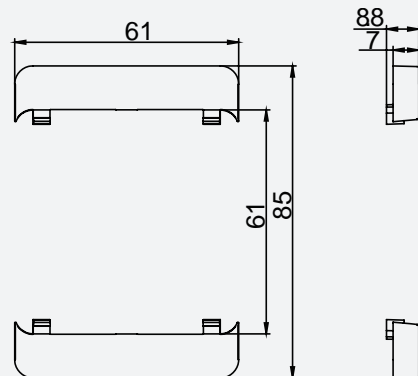
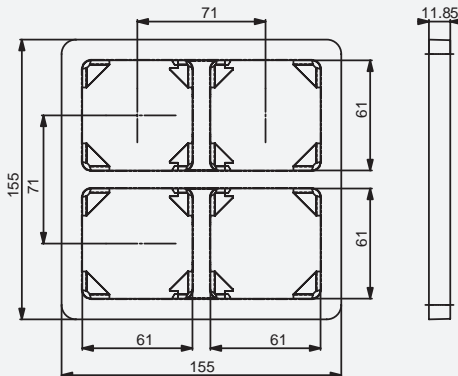
ETM494X IP20 PC HALOGEN FREE

Colour: white RAL9003 (UV stable), black RAL9017
 Conforms with: RoHS, WEEE
 Fire hazard test: 850°C (IEC60695-2-11)
 Working temperature: -25°C to +60°C
 Installation temperature: -5°C to +25°C

Plastic adapters designed to make switches and sockets compatible with 2S frames. Ideal for fitting various modules like USB chargers, data outlets, or specialty sockets into standard 2S combi frames. Easy to install and ensures a secure, flush finish.

REFERENCE	PACKAGING OPTIONS	
ETM494X	1PCS	10PCS

Technical drawings





RS adapter frame

ETM491X-1

IP20

PC

HALOGEN FREE

Colour: white RAL9003 (UV stable), black RAL9017

Conforms with: RoHS, WEEE

Fire hazard test: 850°C (IEC60695-2-11)

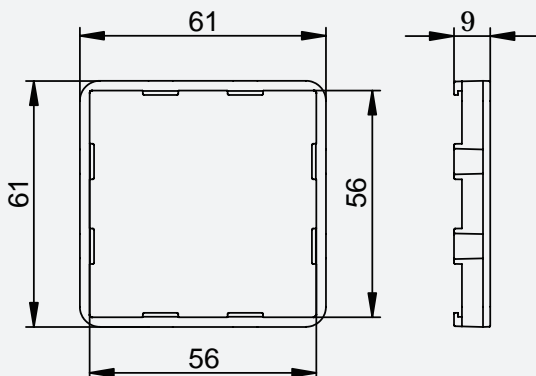
Working temperature: -25°C to +60°C

Installation temperature: -5°C to +25°C

Transition frame for adapting RS-shaped products to fit seamlessly into Series X combination frames. Ensures a secure and flush installation while maintaining a consistent, modern look across the Series X range.

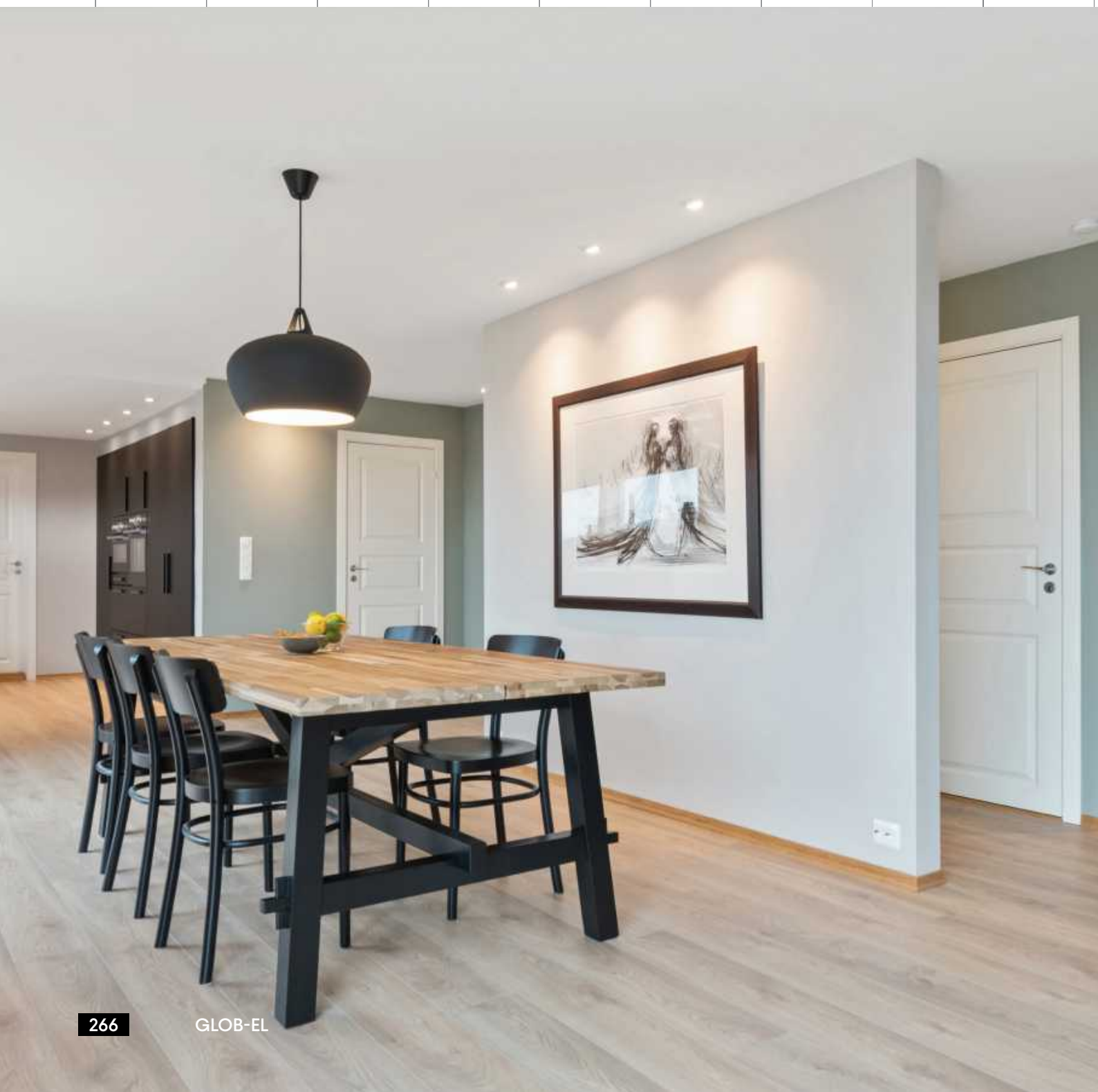
REFERENCE	PACKAGING OPTIONS	
ETM491X-1	1PCS	500PCS

Technical drawings



CLASSIC AND FUNCTIONAL

Series P product range



The Series P range is the ultimate solution for modern electrical needs, offering everything from sleek switches and sockets to versatile dimmers and DCL.

Backed by over 30 years of expertise and trusted in the Nordic market for more than two decades, this collection is renowned for its distinctive texture, premium materials, and effortless installation.

From indoor elegance to outdoor resilience, Series P delivers high IP-rated options for external use, flush or wall-mount versatility, and multifunctional switch types to suit any space. The range also includes multi-frames to combine all essentials in one stylish unit.

Engineered from halogen-free, eco-friendly PC, every product is certified by official bodies such as CE and Semko, ensuring safety, quality, and environmental responsibility.

Built for durability, each piece is rigorously tested to withstand daily use and harsh conditions, making Series P the smart, stylish choice for both residential and commercial environments.

PRODUCT RANGE



USB CHARGING SOCKETS

Series P also features dedicated USB charging sockets, equipped with Type A and Type C ports for maximum compatibility. Designed for fast, reliable charging, they keep your devices powered without the need for bulky adaptors - perfect for modern homes and workspaces.

Flush sockets



Two-way socket, screw terminals, not earthed

ETM246P

IP20

PC

HALOGEN FREE

Colour: white RAL9003 (UV stable), black RAL9016
 Technical data: 16A 250VAC
 Frequency: 50Hz
 Certificates: Semko
 Conforms with: RoHS, WEEE
 Complies with the standards: IEC 60884-1
 Fire hazard test: 850°C (IEC60695-2-11)
 Working temperature: -25°C to +60°C;
 Installation temperature: -5°C to +25°C

Double socket outlet with thermoplastic cover and safety shutter. Features Pozidriv screw terminals, flush wiring, and a special housing (ETM240P/ETM431P/ETM429P) for flush-to-surface transitions. Fits standard wall boxes (60 mm c-c). Cover plate secured with two visible screws.

REFERENCE	PACKAGING OPTIONS	
ETM246P	1PCS	135PCS

Two-way socket, screw terminals, earthed

ETM022P

IP20

PC

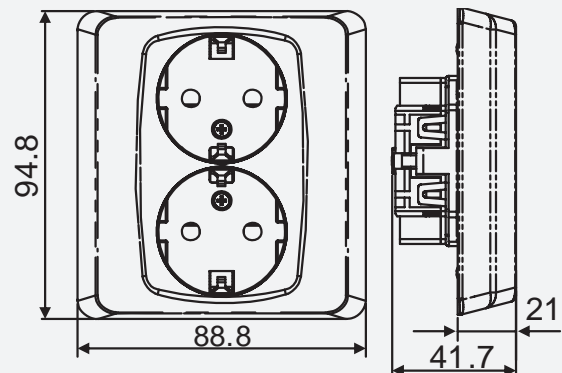
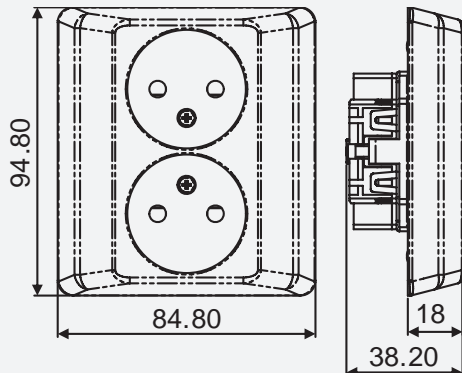
HALOGEN FREE

Colour: white RAL9003 (UV stable), black RAL9016
 Technical data: 16A 250VAC
 Frequency: 50Hz
 Certificates: Semko
 Conforms with: RoHS, WEEE
 Complies with the standards: IEC 60884-1
 Fire hazard test: 850°C (IEC60695-2-11)
 Working temperature: -25°C to +60°C;
 Installation temperature: -5°C to +25°C

Double socket outlet with thermoplastic cover and safety shutter. Features Pozidriv screw terminals, flush wiring, and a special housing (ETM240P/ETM431P/ETM429P) for flush-to-surface transitions. Fits standard wall boxes (60 mm c-c). Cover plate secured with two visible screws.

REFERENCE	PACKAGING OPTIONS	
ETM022P	1PCS	135PCS

Technical drawings





Two-way socket with through terminals for wiring, screw terminals, earthed

ETM022PT IP20 PC HALOGEN FREE

Colour: white RAL9003 (UV stable), black RAL9016

Technical data: 16A 250VAC

Frequency: 50Hz

Certificates: Semko

Conforms with: RoHS, WEEE

Complies with the standards: IEC 60884-1

Fire hazard test: 850°C (IEC60695-2-11)

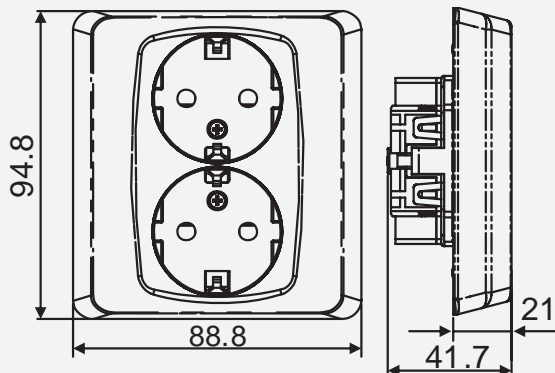
Working temperature: -25°C to +60°C;

Installation temperature: -5°C to +25°C

Double socket outlet with thermoplastic cover and safety shutter. Features Pozidriv screw terminals, flush wiring, and a special housing (ETM240P/ETM431P/ETM429P) for flush-to-surface transitions. Fits standard wall boxes (60 mm c-c). Cover plate secured with two visible screws.

REFERENCE	PACKAGING OPTIONS	
ETM022PT	1PCS	135PCS

Technical drawings



Flush sockets



Two-way socket with divided outlet, screw terminals, earthed

ETM022PD IP20 PC HALOGEN FREE

Colour: white RAL9003 (UV stable), black RAL9016
 Technical data: 16A 250VAC
 Frequency: 50Hz
 Certificates: Semko
 Conforms with: RoHS, WEEE
 Complies with the standards: IEC 60884-1
 Fire hazard test: 850°C (IEC60695-2-11)
 Working temperature: -25°C to +60°C;
 Installation temperature: -5°C to +25°C

Double socket outlet with thermoplastic cover and safety shutter. Features Pozidriv screw terminals, flush wiring, and a special housing (ETM240P/ETM431P/ETM429P) for flush-to-surface transitions. Fits standard wall boxes (60 mm c-c). Cover plate secured with two visible screws.

REFERENCE	PACKAGING OPTIONS	
ETM022PD	1PCS	135PCS



Two-way low profile socket, earthed

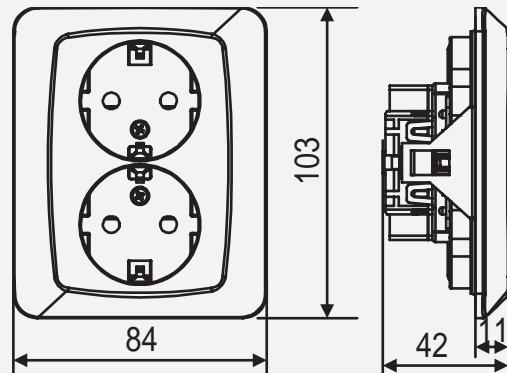
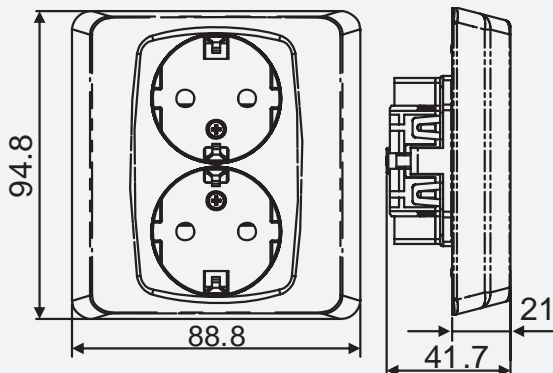
ETM022PL IP20 PC HALOGEN FREE

Colour: white RAL9003 (UV stable), black RAL9016
 Technical data: 16A 250VAC
 Frequency: 50Hz
 Certificates: Semko
 Conforms with: RoHS, WEEE
 Complies with the standards: IEC 60884-1
 Fire hazard test: 850°C (IEC60695-2-11)
 Working temperature: -25°C to +60°C;
 Installation temperature: -5°C to +25°C

Earthed double socket outlet with thermoplastic cover and safety shutter. Equipped with Pozidriv screw terminals and designed for flush wiring. Fits 1.5-gang wall boxes (60 mm c-c). Cover plate secured with two visible screws for a clean, stable installation.

REFERENCE	PACKAGING OPTIONS	
ETM022PL	1PCS	135PCS

Technical drawings





Two-way socket with screwless terminals, earthed

ETM022PQV5 **IP21** **PC** **HALOGEN FREE**

Colour: white RAL9003 (UV stable), black RAL9016
 Technical data: 16A 250VAC
 Frequency: 50Hz
 Certificates: Semko
 Conforms with: RoHS, WEEE
 Complies with the standards: IEC 60884-1
 Fire hazard test: 850°C (IEC60695-2-11)
 Working temperature: -25°C to +60°C;
 Installation temperature: -5°C to +25°C

Earthed double socket outlet with thermoplastic cover and safety shutter. Features improved screwless terminals for 1.5–2.5 mm² rigid solid or stranded conductors. Fits standard wall boxes (60 mm c-c). Includes knockout cover, special housing (ETM431P), and earth-connected fixation plate.

REFERENCE	PACKAGING OPTIONS	
ETM022PQV5	1PCS	135PCS



Two-way socket with screwless terminals for through wiring, earthed

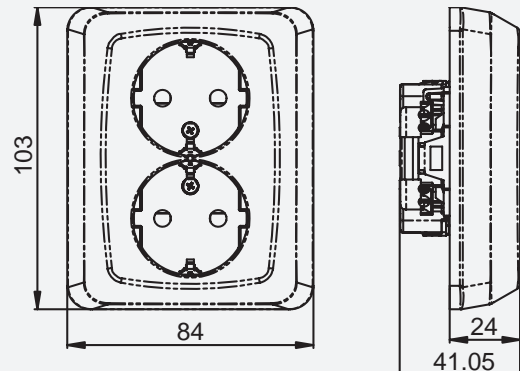
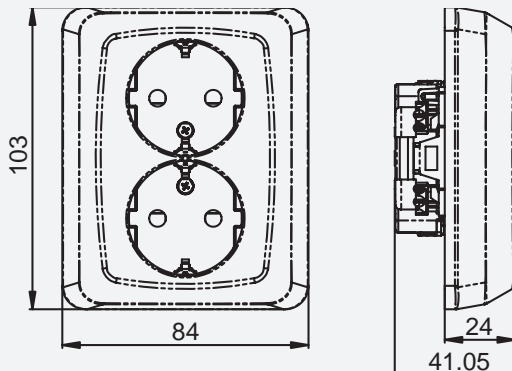
ETM022PQTV5 **IP21** **PC** **HALOGEN FREE**

Colour: white RAL9003 (UV stable), black RAL9016
 Technical data: 16A 250VAC
 Frequency: 50Hz
 Certificates: Semko
 Conforms with: RoHS, WEEE
 Complies with the standards: IEC 60884-1
 Fire hazard test: 850°C (IEC60695-2-11)
 Working temperature: -25°C to +60°C;
 Installation temperature: -5°C to +25°C

Earthed double socket outlet with thermoplastic cover and safety shutter. Features improved screwless terminals for 1.5–2.5 mm² rigid solid or stranded conductors. Fits standard wall boxes (60 mm c-c). Includes knockout cover, special housing (ETM431P), and earth-connected fixation plate.

REFERENCE	PACKAGING OPTIONS	
ETM022PQTV5	1PCS	135PCS

Technical drawings



Flush sockets



Two-way socket with divided outlet and screwless terminals, earthed

ETM022PQDV5 **IP21** **PC** **HALOGEN FREE**

Colour: white RAL9003 (UV stable), black RAL9016
 Technical data: 16A 250VAC
 Frequency: 50Hz
 Certificates: Semko
 Conforms with: RoHS, WEEE
 Complies with the standards: IEC 60884-1
 Fire hazard test: 850°C (IEC60695-2-11)
 Working temperature: -25°C to +60°C;
 Installation temperature: -5°C to +25°C

Earthed double socket outlet with thermoplastic cover and safety shutter. Features improved screwless terminals for 1.5–2.5 mm² rigid solid or stranded conductors. Fits standard wall boxes (60 mm c-c). Includes knockout cover, special housing (ETM431P), and earth-connected fixation plate.

REFERENCE	PACKAGING OPTIONS	
ETM022PQDV5	1PCS	135PCS



Two-way DSO with screwless terminals and claws, earthed, V4

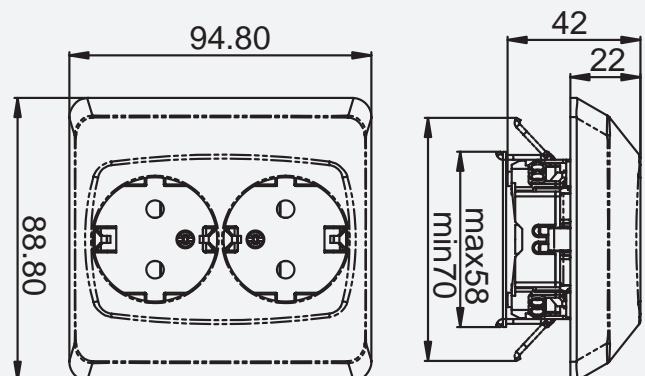
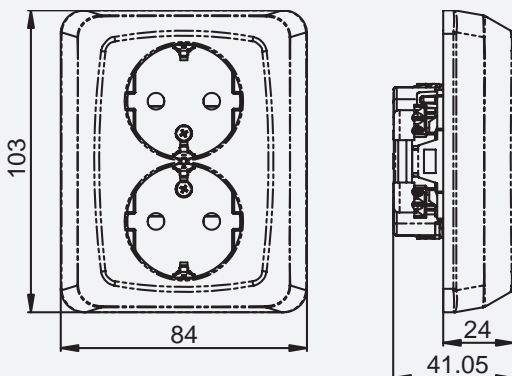
ETM022PQ.C **IP21** **PC** **HALOGEN FREE**

Colour: white RAL9003 (UV stable), black RAL9016
 Technical data: 16A 250VAC
 Frequency: 50Hz
 Certificates: Semko
 Conforms with: RoHS, WEEE
 Complies with the standards: IEC 60884-1
 Fire hazard test: 850°C (IEC60695-2-11)
 Working temperature: -25°C to +60°C;
 Installation temperature: -5°C to +25°C

Earthed double socket outlet with thermoplastic cover and shutter. Features improved screwless terminals for 1.5–2.5 mm² rigid solid/stranded conductors. Includes claws (58–70 mm), knockout cover, and special housing (ETM431P) for surface-to-flush transitions.

REFERENCE	PACKAGING OPTIONS	
ETM022PQ.C	1PCS	

Technical drawings





Two-way DSO with screwless terminals and claws, earthed, V5

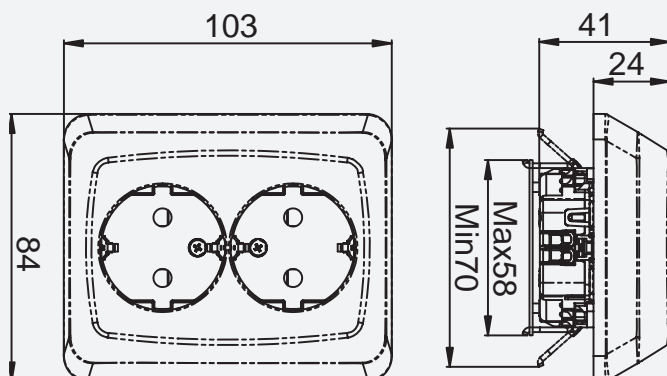
ETM022PQV5.C IP21 PC HALOGEN FREE

Colour: white RAL9003 (UV stable), black RAL9016
 Technical data: 16A 250VAC
 Frequency: 50Hz
 Certificates: Semko
 Conforms with: RoHS, WEEE
 Complies with the standards: IEC 60884-1
 Fire hazard test: 850°C (IEC60695-2-11)
 Working temperature: -25°C to +60°C;
 Installation temperature: -5°C to +25°C

Earthed double socket outlet with thermoplastic cover and shutter. Features improved screwless terminals for 1.5–2.5 mm² rigid solid/stranded conductors. Includes claws (58–70 mm), knockout cover, and special housing (ETM431P) for surface-to-flush transitions.

REFERENCE	PACKAGING OPTIONS
ETM022PQV5.C	1PCS

Technical drawings



Flush sockets



Two-way low profile socket with screwless terminals, earthed

ETM022PQL IP20 PC HALOGEN FREE

Colour: white RAL9003 (UV stable), black RAL9016
 Technical data: 16A 250VAC
 Frequency: 50Hz
 Certificates: Semko
 Conforms with: RoHS, WEEE
 Complies with the standards: IEC 60884-1
 Fire hazard test: 850°C (IEC60695-2-11)
 Working temperature: -25°C to +60°C;
 Installation temperature: -5°C to +25°C

Low-profile earthed double socket outlet with thermoplastic cover and safety shutter. Features screwless Pozidriv terminals, flush wiring, and claw mounting. Fits 1.5-gang wall boxes (60 mm c-c). Cover plate secured with two visible screws for a clean finish.

REFERENCE	PACKAGING OPTIONS	
ETM022PQL	1PCS	140PCS



Two-way low profile socket with screwless terminals, divided, earthed

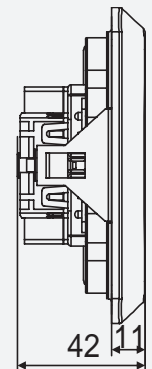
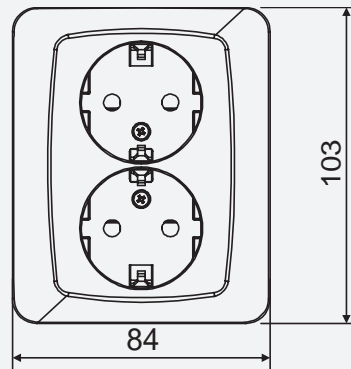
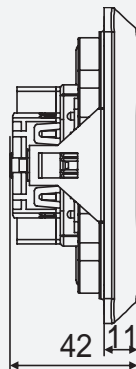
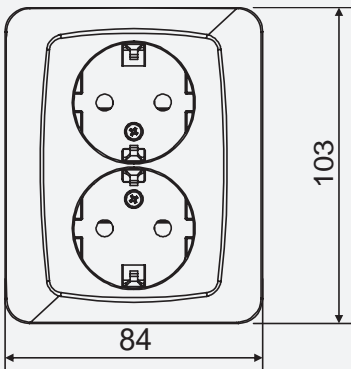
ETM022PQDL IP20 PC HALOGEN FREE

Colour: white RAL9003 (UV stable), black RAL9016
 Technical data: 16A 250VAC
 Frequency: 50Hz
 Certificates: Semko
 Conforms with: RoHS, WEEE
 Complies with the standards: IEC 60884-1
 Fire hazard test: 850°C (IEC60695-2-11)
 Working temperature: -25°C to +60°C;
 Installation temperature: -5°C to +25°C

Low-profile earthed double socket outlet with thermoplastic cover and safety shutter. Features screwless Pozidriv terminals, flush wiring, and claw mounting. Fits 1.5-gang wall boxes (60 mm c-c). Cover plate secured with two visible screws for a clean finish.

REFERENCE	PACKAGING OPTIONS	
ETM022PQDL	1PCS	135PCS

Technical drawings





Two-way socket with USB Type A and Type C charging ports, 20W

ETM709PQ

IP20

PC

HALOGEN FREE

Colour: white RAL9003 (UV stable)

Technical data: 16A 230VAC, 50Hz

Rated output:

230VAC, 50Hz, 0.5A; Rated output: single A port: 5V3A,15W; 9V2A,18W; 12V1.5A, 18W; single C port: 5V3A,15.0W; 9V2.22A, 20W; 12V1.67A, 20W; single A+C-port: 5V3A, 15W;

Conforms with: Intertek, LVD, EMC, ErP, RoHS, WEEE, REACH

Complies with the standards: IEC 62368-1, IEC 60884-1

Fire hazard test: 850°C(IEC60695-2-11)

Working temperature: 0°C to 35°C;

Installation temperature: -10°C to 70°C

Standby operation: 0.1W

Average active efficiency: 81.4%

Efficiency at low load (10%): 70%

Two-way socket with screw terminals, without frame

ETM022PW

IP20

PC

HALOGEN FREE

Colour: white RAL9003 (UV stable), black RAL9016

Technical data: 16A 250VAC

Frequency: 50Hz

Certificates: Semko

Conforms with: RoHS, WEEE

Complies with the standards: IEC 60884-1

Fire hazard test: 850°C (IEC60695-2-11)

Working temperature: -25°C to +60°C;

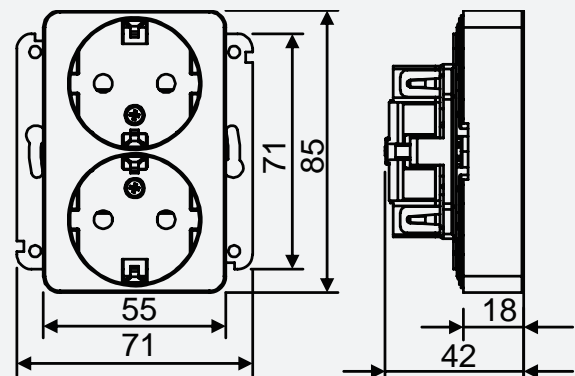
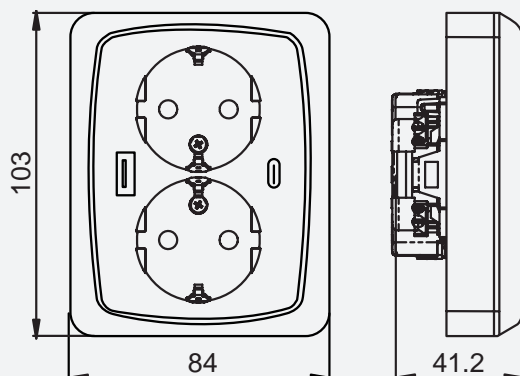
Installation temperature: -5°C to +25°C

Standard 2-way Schuko socket unit without frame, with screw terminals. Designed to fit into "M" and "2S" openings in combination plates (55 × 85 mm). Ideal for modular installations requiring flexible socket configurations.

REFERENCE	PACKAGING OPTIONS	
ETM709PQ	1PCS	8PCS

REFERENCE	PACKAGING OPTIONS	
ETM022PW	1PCS	

Technical drawings



Flush sockets



Two-way low profile socket with screw terminals, without frame

ETM022PLW IP20 PC HALOGEN FREE

Colour: white RAL9003 (UV stable), black RAL9016
 Technical data: 16A 250VAC
 Frequency: 50Hz
 Certificates: Semko
 Conforms with: RoHS, WEEE
 Complies with the standards: IEC 60884-1
 Fire hazard test: 850°C (IEC60695-2-11)
 Working temperature: -25°C to +60°C;
 Installation temperature: -5°C to +25°C

Low-profile 2-way Schuko socket unit without frame, with screw terminals. Fits into "2S" openings in combination plates (55 × 85 mm). Compact design ideal for streamlined modular installations where space and a flush finish matter.

REFERENCE	PACKAGING OPTIONS
ETM022PLW	1PCS



Two-way socket with screwless terminals, without frame, not earthed

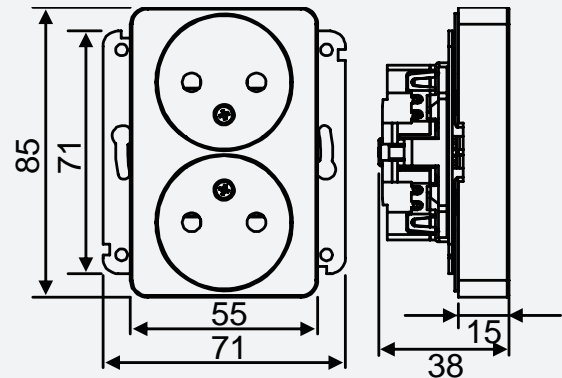
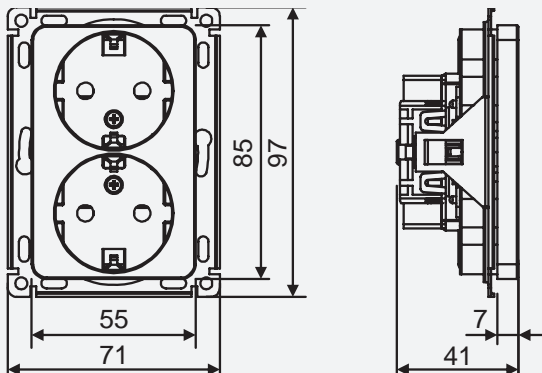
ETM246PQW IP20 PC HALOGEN FREE

Colour: white RAL9003 (UV stable), black RAL9016
 Technical data: 16A 250VAC
 Frequency: 50Hz
 Certificates: Semko
 Conforms with: RoHS, WEEE
 Complies with the standards: IEC 60884-1
 Fire hazard test: 850°C (IEC60695-2-11)
 Working temperature: -25°C to +60°C;
 Installation temperature: -5°C to +25°C

2-way Schuko socket unit without frame, with screwless terminals. Designed to fit into "M" and "2S" openings in combination plates (55 × 85 mm). Ideal for modular installations requiring flexible socket configurations.

REFERENCE	PACKAGING OPTIONS	
ETM246PQW	1PCS	175PCS

Technical drawings





Two-way socket with screwless terminals, without frame

ETM022PQW IP20 PC HALOGEN FREE

Colour: white RAL9003 (UV stable), black RAL9016
 Technical data: 16A 250VAC
 Frequency: 50Hz
 Certificates: Semko
 Conforms with: RoHS, WEEE
 Complies with the standards: IEC 60884-1
 Fire hazard test: 850°C (IEC60695-2-11)
 Working temperature: -25°C to +60°C;
 Installation temperature: -5°C to +25°C

2-way Schuko socket unit without frame, with screwless terminals. Designed to fit into "M" and "2S" openings in combination plates (55 × 85 mm). Ideal for modular installations requiring flexible socket configurations.

REFERENCE	PACKAGING OPTIONS	
ETM022PQW	1PCS	140PCS



Two-way low profile socket with screwless terminals, without frame

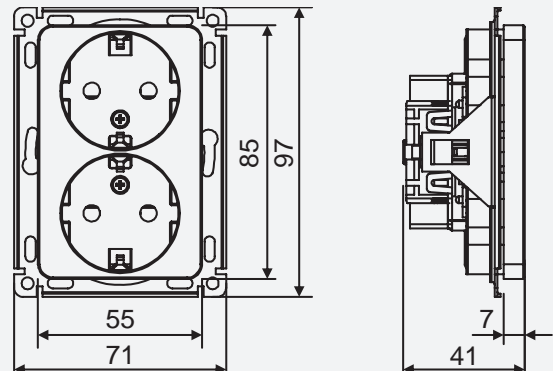
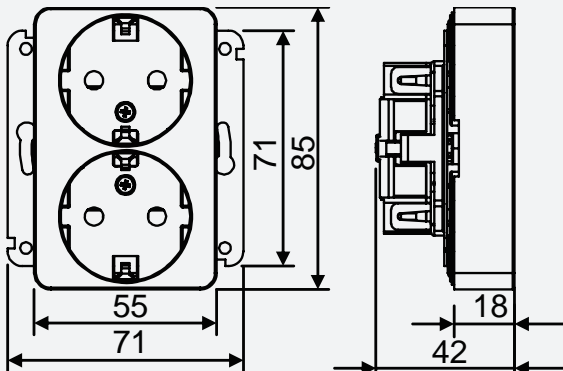
ETM022PQLW IP20 PC HALOGEN FREE

Colour: white RAL9003 (UV stable), black RAL9016
 Technical data: 16A 250VAC
 Frequency: 50Hz
 Certificates: Semko
 Conforms with: RoHS, WEEE
 Complies with the standards: IEC 60884-1
 Fire hazard test: 850°C (IEC60695-2-11)
 Working temperature: -25°C to +60°C;
 Installation temperature: -5°C to +25°C

Low-profile 2-way Schuko socket unit without frame, with screwless terminals. Fits into "2S" openings in combination plates (55 × 85 mm). Compact design ideal for streamlined modular installations where space and a flush finish matter.

REFERENCE	PACKAGING OPTIONS	
ETM022PQLW	1PCS	150PCS

Technical drawings



Flush sockets



One-way socket with screw terminals, earthed

ETM207P IP20 PC HALOGEN FREE

Colour: white RAL9003 (UV stable), black RAL9016
 Technical data: 16A 250VAC
 Frequency: 50Hz
 Certificates: Semko
 Conforms with: RoHS, WEEE
 Complies with the standards: IEC 60884-1
 Fire hazard test: 850°C (IEC60695-2-11)
 Working temperature: -25°C to +60°C;
 Installation temperature: -5°C to +25°C

Single socket outlet with thermoplastic cover and safety shutter. Features Pozidriv screw terminals, flush wiring, and a special housing (ETM240P/ETM431P/ETM429P) for flush-to-surface transitions. Fits standard wall boxes (60 mm cc).

One-way socket with screwless terminals, earthed

ETM207PQ IP20 PC HALOGEN FREE

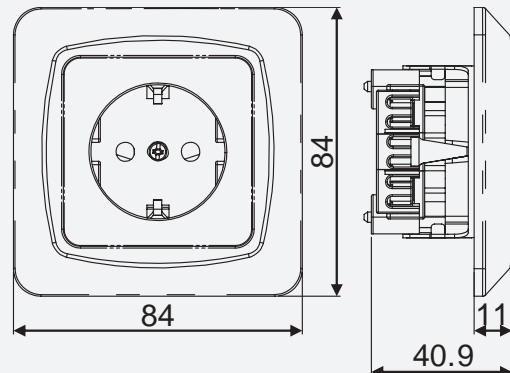
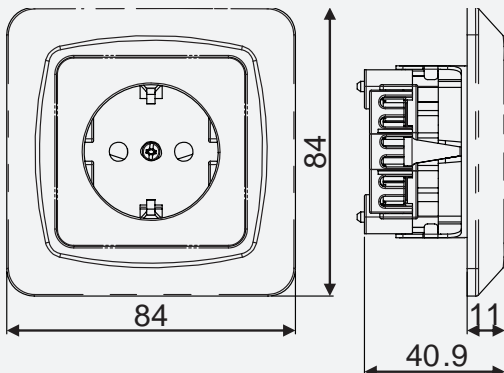
Colour: white RAL9003 (UV stable), black RAL9016
 Technical data: 16A 250VAC
 Frequency: 50Hz
 Certificates: Semko
 Conforms with: RoHS, WEEE
 Complies with the standards: IEC 60884-1
 Fire hazard test: 850°C (IEC60695-2-11)
 Working temperature: -25°C to +60°C;
 Installation temperature: -5°C to +25°C

Single socket outlet with thermoplastic cover and safety shutter. Features screwless terminals, flush wiring, and a special housing (ETM240P/ETM431P/ETM429P) for flush-to-surface transitions. Fits standard wall boxes (60 mm cc).

REFERENCE	PACKAGING OPTIONS	
ETM207P	1PCS	120PCS

REFERENCE	PACKAGING OPTIONS	
ETM207PQ	1PCS	120PCS

Technical drawings





One-way socket with screwless terminals, with hinged cover

ETM207PQV4.C **IP21** **PC** **HALOGEN FREE**

Colour: white RAL9003 (UV stable), black RAL9016
 Technical data: 16A 250VAC
 Frequency: 50Hz
 Certificates: Semko
 Conforms with: RoHS, WEEE
 Complies with the standards: IEC 60884-1
 Fire hazard test: 850°C (IEC60695-2-11)
 Working temperature: -25°C to +60°C;
 Installation temperature: -5°C to +25°C

Single socket outlet with thermoplastic cover, screwless terminals, and hinged protective cover. Features shutter for safety and flush wiring. Fits standard 55×55 mm central plate and 60 mm c-c wall boxes. Compatible with ETM240P housing for surface-to-flush transitions and combination plates.

REFERENCE	PACKAGING OPTIONS
ETM207PQV4.C	1PCS



One-way with screw terminals, without frame, earthed

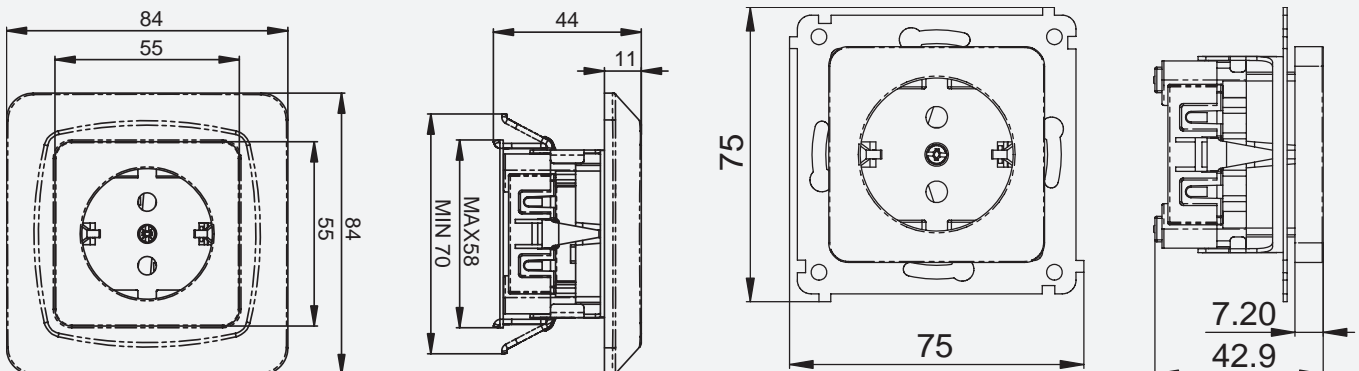
ETM207PW **IP20** **PC** **HALOGEN FREE**

Colour: white RAL9003 (UV stable), black RAL9016
 Technical data: 16A 250VAC
 Frequency: 50Hz
 Certificates: Semko
 Conforms with: RoHS, WEEE
 Complies with the standards: IEC 60884-1
 Fire hazard test: 850°C (IEC60695-2-11)
 Working temperature: -25°C to +60°C;
 Installation temperature: -5°C to +25°C

Frameless single socket outlet with thermoplastic cover and safety shutter. Features Pozidriv screw terminals, flush wiring, and a special housing (ETM240P/ETM431P/ETM429P) for flush-to-surface transitions. Fits standard wall boxes (60 mm cc) and 'S' marked multi-way frames.

REFERENCE	PACKAGING OPTIONS
ETM207PW	1PCS

Technical drawings



Flush sockets



One-way with screwless terminals, without frame, earthed

ETM207PQW **IP20** **PC** **HALOGEN FREE**

Colour: white RAL9003 (UV stable), black RAL9016
 Technical data: 16A 250VAC
 Frequency: 50Hz
 Certificates: Semko
 Conforms with: RoHS, WEEE
 Complies with the standards: IEC 60884-1
 Fire hazard test: 850°C (IEC60695-2-11)
 Working temperature: -25°C to +60°C;
 Installation temperature: -5°C to +25°C

Frameless single socket outlet with thermoplastic cover and safety shutter. Features screwless terminals, flush wiring, and a special housing (ETM240P/ETM431P/ETM429P) for flush-to-surface transitions. Fits standard wall boxes (60 mm cc) and 'S' marked multi-way frames.

REFERENCE	PACKAGING OPTIONS
ETM207PQW	1PCS

One-way socket with USB Type A and Type C charging ports

ETM703PQ **IP20** **PC** **HALOGEN FREE**

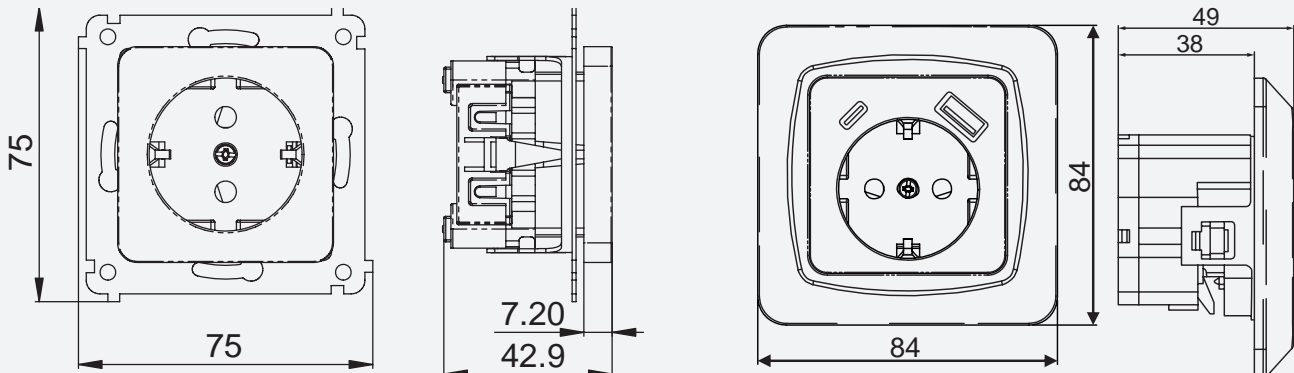
Colour: white RAL9003 (UV stable), black RAL9016 or custom
 Technical data: 16A 250VAC, 50Hz, max 3600W
 Overvoltage category: III
 High voltage insulation test: 3kVac
 Certificates: TUV, CE
 Conforms with: LVD, EMC, RoHS, WEEE, REACH
 Complies with the standards: EN 62368-1, IEC 60884-1
 Working temperature: 0°C to +35°C;
 USB data: rated input is 230V~, 50Hz, 0.4A
 Rated output:

output single A port or single C port: 5V, 3A, 15W; 9V, 2A, 18W; 12V, 1.5V, 18W; output A port with output: C port 5V, 3A, 15W (3A total)

Standby operation: 0.1W
 Average active efficiency: 81.4%
 Efficiency at low load (10%): 72.1%

REFERENCE	PACKAGING OPTIONS	
ETM703PQ	1PCS	80PCS

Technical drawings





USB Type A and Type C charging socket

ETM704P IP20 PC HALOGEN FREE

Colour: white RAL9003 (UV stable), black RAL9016 or custom
 Overvoltage category: II
 High voltage insulation test: 3kVac
 Certificates: CE
 Conforms with: LVD, EMC, RoHS, WEEE, REACH
 Complies with the standards: EN 62368-1,
 Working temperature: 0°C to +35°C;
 USB data: rated input is 100-240V~, 50Hz, 0.4A
 Rated output:
 output single A port or single C port: 5V, 3A, 15W; 9V, 2A, 18W; 12V, 1.5V, 18W; output A port with output: C port 5V, 3A, 15W (3A total)
 Standby operation: 0.1W
 Average active efficiency: 81.4%
 Efficiency at low load (10%): 72.1%

REFERENCE	PACKAGING OPTIONS	
ETM704P	1PCS	80PCS



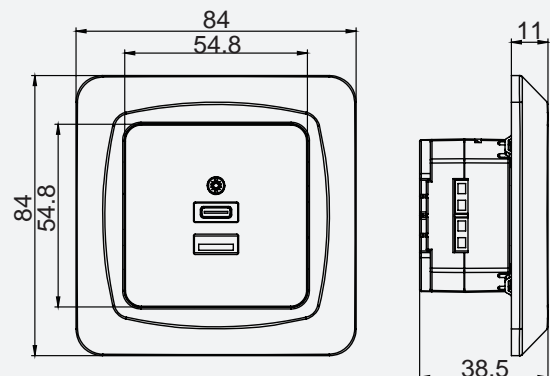
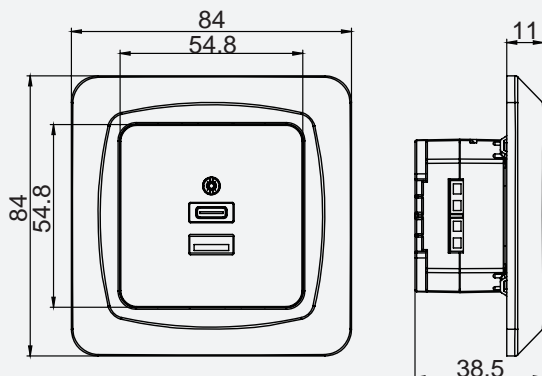
USB Type A and Type C charging socket, 65W

ETM708P IP20 PC HALOGEN FREE

Colour: White: RAL9003 (UV stable)
 USB Rated Input: 220-250VAC, 0.8A
 Frequency: 50/60Hz
 Overvoltage category: III
 Working Temperature: 0°C-35°C
 Fire hazard test: 850°C(IEC60695-2-1)
 Conforms with: TUV, LVD, EMC, RoHS, WEEE, REACH
 Complies with: EN IEC62368-1, EN IEC61558-1, EN IEC61558-2-16
 Rated output:
 Single A port: 5VDC, 3A, 15W; 9VDC, 2A, 18W; 12VDC, 3A, 36W; Single C port: 5VDC, 3A, 15W; 9VDC, 2A, 18W; 12VDC, 3A, 36W; 15VDC, 3A, 45W; 20VDC, 3.25A, 65W;
 Two at the same time: 5VDC, 3A, 15W (3A in total)
 Standby operation: 0.1W
 Average active efficiency: 87.72%
 Efficiency at low load (10%): 65%

REFERENCE	PACKAGING OPTIONS	
ETM708P	1PCS	8PCS

Technical drawings



Flush sockets



USB Type A and Type A charging socket

ETM702P **IP20** **PC** **HALOGEN FREE**

Colour: white RAL9003 (UV stable), black RAL9016
 Input: 230VAC, 50Hz, max 200mA max
 Overvoltage category: III
 High voltage insulation test: 3kVac
 Certificates: TUV, CE
 Conforms with: LVD, EMC, RoHS, WEEE, REACH
 Complies with the standards: EN 62368-1,
 Working temperature: -25°C to +45°C;
 Rated output:
 output single A port: DC 5V, 3.4A; output both A ports:
 1A, 2.1A+1A, 2.4A+1A, 5V
 Standby operation: 0.1W
 Average active efficiency: 82.15%
 Screw terminal capacity: 1.5-2.5mm²

REFERENCE	PACKAGING OPTIONS	
ETM702P	1PCS	63PCS



Three-way Euro socket with screw terminals

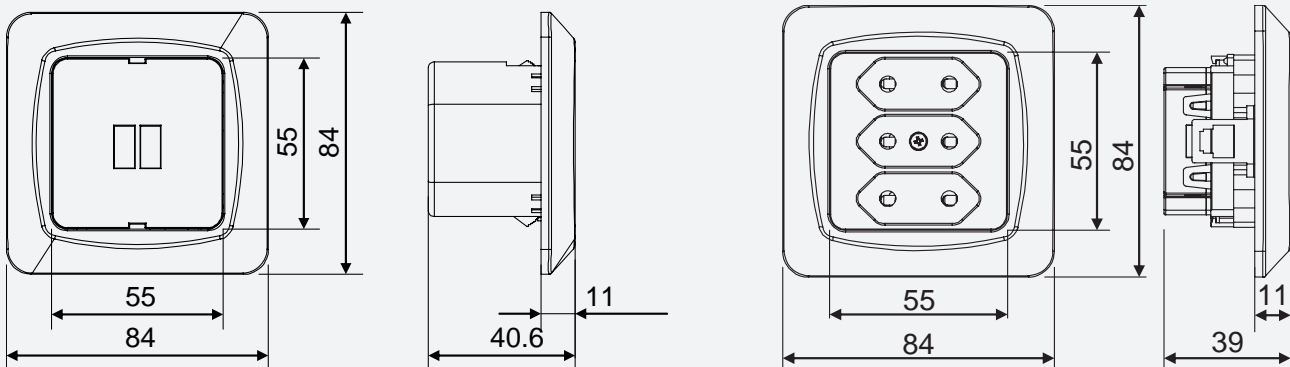
ETM405P **IP20** **PC** **HALOGEN FREE**

Colour: white RAL9003 (UV stable), black RAL9016
 Technical data: 16A 250VAC
 Frequency: 50Hz
 Certificates: Semko
 Conforms with: RoHS, WEEE
 Complies with the standards: IEC 60884-1
 Fire hazard test: 850°C (IEC60695-2-11)
 Working temperature: -25°C to +60°C;
 Installation temperature: -5°C to +25°C

3-way Euro socket outlet with thermoplastic cover and safety shutter. Features Pozidriv screw terminals, flush wiring, and a special housing (ETM240P/ETM431P/ETM429P) for flush-to-surface transitions. Fits standard wall boxes (60 mm cc). Cover plate secured with a single screw.

REFERENCE	PACKAGING OPTIONS	
ETM405P	1PCS	80PCS

Technical drawings





Three-way Euro socket with screw terminals, without frame

ETM405PW IP20 PC HALOGEN FREE

Colour: white RAL9003 (UV stable), black RAL9016
 Technical data: 16A 250VAC
 Frequency: 50Hz
 Certificates: Semko
 Conforms with: RoHS, WEEE
 Complies with the standards: IEC 60884-1
 Fire hazard test: 850°C (IEC60695-2-11)
 Working temperature: -25°C to +60°C;
 Installation temperature: -5°C to +25°C

Frameless 3-way Euro socket outlet with thermoplastic cover and safety shutter. Features Pozidriv screw terminals, flush wiring, and a special housing (ETM240P/ETM431P/ETM429P) for flush-to-surface transitions. Fits standard wall boxes (60 mm cc) and 'S' multi-frames. Cover plate secured with a single screw.

REFERENCE	PACKAGING OPTIONS	
ETM405PW	1PCS	160PCS



Three-way socket with screw terminals

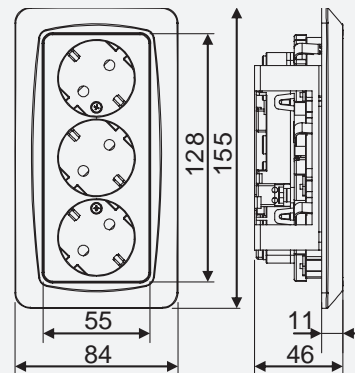
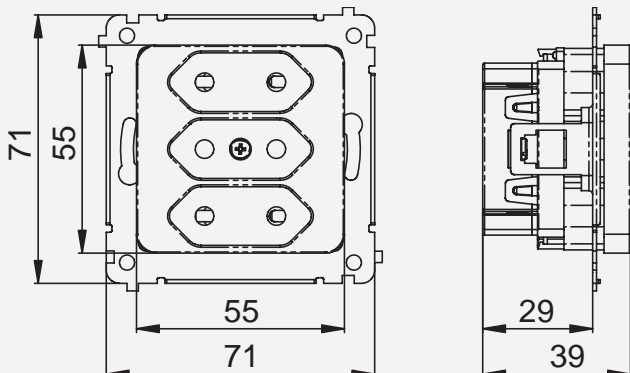
ETM401P IP20 PC HALOGEN FREE

Colour: white RAL9003 (UV stable), black RAL9016
 Technical data: 16A 250VAC
 Frequency: 50Hz
 Certificates: Semko
 Conforms with: RoHS, WEEE
 Complies with the standards: IEC 60884-1
 Fire hazard test: 850°C (IEC60695-2-11)
 Working temperature: -25°C to +60°C;
 Installation temperature: -5°C to +25°C

3-way socket outlet with thermoplastic cover and safety shutter. Features Pozidriv screw terminals, flush wiring, and a special housing (ETM429P) for flush-to-surface transitions. Fits double wall boxes with 71mm distance between fixing centre.

REFERENCE	PACKAGING OPTIONS	
ETM401P	1PCS	40PCS

Technical drawings



Flush sockets



Three-way socket with screwless terminals, earthed

ETM401PQ IP20 PC HALOGEN FREE

Colour: white RAL9003 (UV stable), black RAL9016
 Technical data: 16A 250VAC
 Frequency: 50Hz
 Certificates: Semko
 Conforms with: RoHS, WEEE
 Complies with the standards: IEC 60884-1
 Fire hazard test: 850°C (IEC60695-2-11)
 Working temperature: -25°C to +60°C;
 Installation temperature: -5°C to +25°C

3-way socket outlet with thermoplastic cover and safety shutter. Features screwless terminals, flush wiring, and a special housing (ETM429P) for flush-to-surface transitions. Fits double wall boxes with 71mm distance between fixing centre.

Two-way Schuko and two-way Euro socket with screwless terminals

ETM403PQ IP20 PC HALOGEN FREE

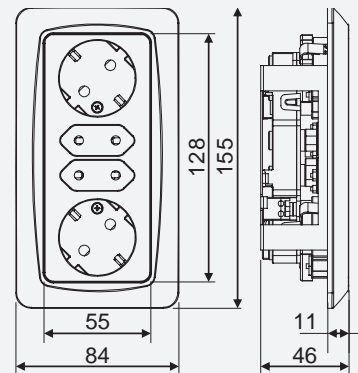
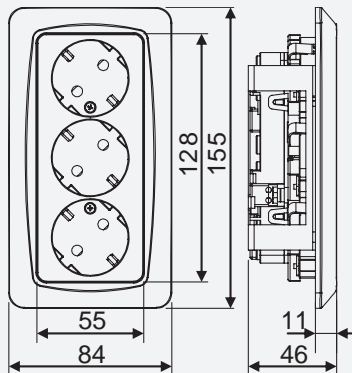
Colour: white RAL9003 (UV stable), black RAL9016
 Technical data: 16A 250VAC
 Frequency: 50Hz
 Certificates: Semko
 Conforms with: RoHS, WEEE
 Complies with the standards: IEC 60884-1
 Fire hazard test: 850°C (IEC60695-2-11)
 Working temperature: -25°C to +60°C;
 Installation temperature: -5°C to +25°C

2-way schuko and 2-way euro socket outlet with thermoplastic cover and safety shutter. Features screwless terminals, flush wiring, and a special housing (ETM429P) for flush-to-surface transitions. Fits double wall boxes with 71mm distance between fixing centre.

REFERENCE	PACKAGING OPTIONS	
ETM401PQ	1PCS	40PCS

REFERENCE	PACKAGING OPTIONS	
ETM403PQ	1PCS	40PCS

Technical drawings





Three-way socket without frame

ETM401PW **IP20** **PC** **HALOGEN FREE**

ETM401PQW

Colour: white RAL9003 (UV stable), black RAL9016
 Technical data: 16A 250VAC
 Frequency: 50Hz
 Certificates: Semko
 Conforms with: RoHS, WEEE
 Complies with the standards: IEC 60884-1
 Fire hazard test: 850°C (IEC60695-2-11)
 Working temperature: -25°C to +60°C;
 Installation temperature: -5°C to +25°C

Frameless 3-way socket outlet with thermoplastic cover and safety shutter. Features flush wiring, and a special housing (ETM429P) for flush-to-surface transitions. Fits double wall boxes, to be used with 3S and 2S+2E frames (55×128m).

REFERENCE	DESCRIPTION
ETM401PW	with screw terminals
ETM401PQW	with screwless terminals



Two-way Schuko and two-way Euro socket with screwless terminals, without frame

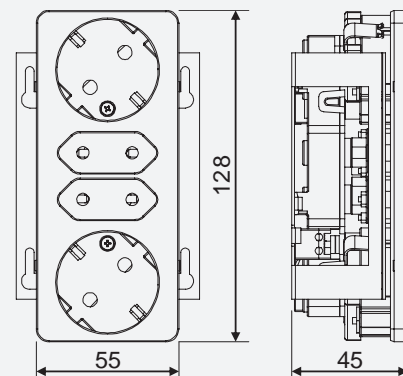
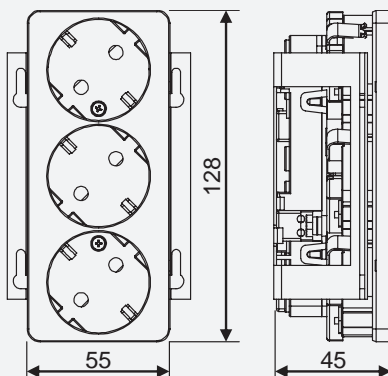
ETM403PQW **IP20** **PC** **HALOGEN FREE**

Colour: white RAL9003 (UV stable), black RAL9016
 Technical data: 16A 250VAC
 Frequency: 50Hz
 Certificates: Semko
 Conforms with: RoHS, WEEE
 Complies with the standards: IEC 60884-1
 Fire hazard test: 850°C (IEC60695-2-11)
 Working temperature: -25°C to +60°C;
 Installation temperature: -5°C to +25°C

Frameless 2-way schuko and 2-way euro socket outlet with thermoplastic cover and safety shutter. Features screwless terminals, flush wiring, and a special housing (ETM429P) for flush-to-surface transitions. Fits double wall boxes, to be used with 3S and 2S+2E frames (55×128m).

REFERENCE	PACKAGING OPTIONS	
ETM403PQW	1PCS	40PCS

Technical drawings



Surface-mounted sockets



One-way socket with screw terminals, without earth

ACJN1010P IP20 PC HALOGEN FREE

Colour: white RAL9003 (UV stable)
 Technical data: 16A 250VAC
 Frequency: 50Hz
 Certificates: Semko
 Conforms with: RoHS, WEEE
 Complies with the standards: IEC 60884-1
 Fire hazard test: 850°C (IEC60695-2-11)
 Working temperature: -25°C to +60°C;
 Installation temperature: -5°C to +25°C

Surface-mounted 1-way socket outlet without earth (Schuko), featuring safety shutter and screw terminals. Includes a durable thermoplastic covering cap and spacious cable compartment. Supplied with back plate for mounting; screw distance c-c 38mm. Ideal for visible installations.

REFERENCE	PACKAGING OPTIONS	
ACJN1010P	1PCS	220PCS



One-way socket with screw terminals, earthed

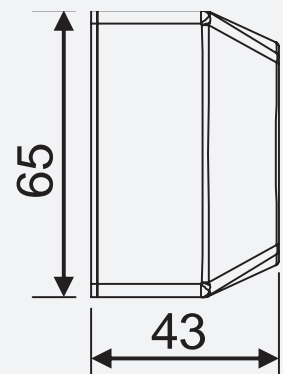
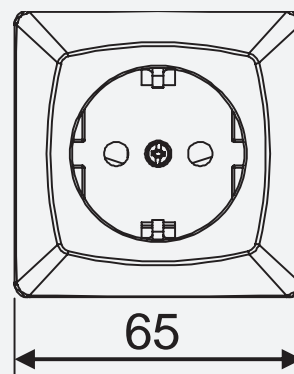
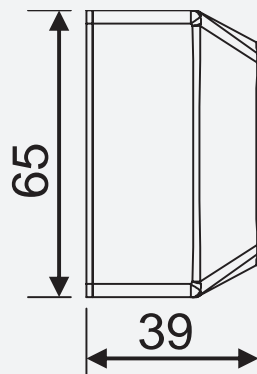
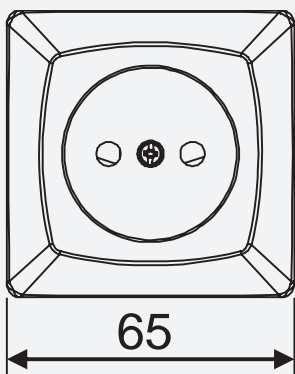
ACJN1011P IP20 PC HALOGEN FREE

Colour: white RAL9003 (UV stable)
 Technical data: 16A 250VAC
 Frequency: 50Hz
 Certificates: Semko
 Conforms with: RoHS, WEEE
 Complies with the standards: IEC 60884-1
 Fire hazard test: 850°C (IEC60695-2-11)
 Working temperature: -25°C to +60°C;
 Installation temperature: -5°C to +25°C

Surface-mounted 1-way socket outlet with earth (Schuko), featuring safety shutter and screw terminals. Includes a durable thermoplastic covering cap and spacious cable compartment. Supplied with back plate for mounting; screw distance c-c 38mm. Ideal for visible installations.

REFERENCE	PACKAGING OPTIONS	
ACJN1011P	1PCS	200PCS

Technical drawings





Two-way socket with screw terminals, without earth

ACJN2010P

IP20

PC

HALOGEN FREE

Colour: white RAL9003 (UV stable)
 Technical data: 16A 250VAC
 Frequency: 50Hz
 Certificates: Semko
 Conforms with: RoHS, WEEE
 Complies with the standards: IEC 60884-1
 Fire hazard test: 850°C (IEC60695-2-11)
 Working temperature: -25°C to +60°C;
 Installation temperature: -5°C to +25°C

Surface-mounted 2-way socket outlet without earth (Schuko), featuring safety shutter and screw terminals. Includes a durable thermoplastic covering cap and spacious cable compartment. Supplied with back plate for mounting; screw distance c-c 38mm. Ideal for visible installations.

REFERENCE	PACKAGING OPTIONS	
ACJN2010P	1PCS	135PCS



Two-way socket with screw terminals, earthed

ACJN2011P

IP20

PC

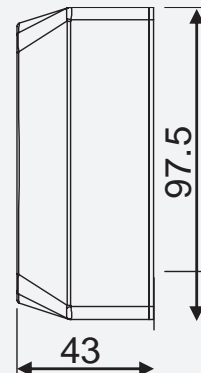
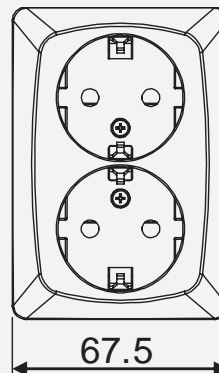
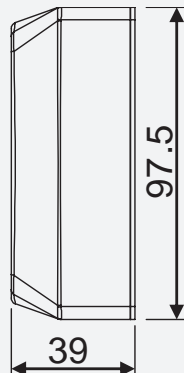
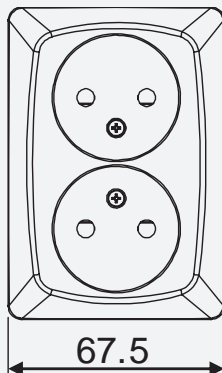
HALOGEN FREE

Colour: white RAL9003 (UV stable)
 Technical data: 16A 250VAC
 Frequency: 50Hz
 Certificates: Semko
 Conforms with: RoHS, WEEE
 Complies with the standards: IEC 60884-1
 Fire hazard test: 850°C (IEC60695-2-11)
 Working temperature: -25°C to +60°C;
 Installation temperature: -5°C to +25°C

Surface-mounted 2-way socket outlet with earth (Schuko), featuring safety shutter and screw terminals. Includes a durable thermoplastic covering cap and spacious cable compartment. Supplied with back plate for mounting; screw distance c-c 38mm. Ideal for visible installations.

REFERENCE	PACKAGING OPTIONS	
ACJN2011P	1PCS	135PCS

Technical drawings



Surface-mounted sockets



Four-way socket with screw terminals, earthed

ETM241P IP20 PC HALOGEN FREE

Colour: white RAL9003 (UV stable)
 Technical data: 16A 250VAC
 Frequency: 50Hz
 Certificates: Semko
 Conforms with: RoHS, WEEE
 Complies with the standards: IEC 60884-1
 Fire hazard test: 850°C (IEC60695-2-11)
 Working temperature: -25°C to +60°C;
 Installation temperature: -5°C to +25°C

Surface-mounted 4-way socket outlet with earth (Schuko), featuring safety shutter and screw terminals. Includes a durable thermoplastic covering cap and spacious cable compartment. Supplied with back plate for mounting; screw distance c-c 38mm. Ideal for visible installations.

REFERENCE	PACKAGING OPTIONS	
ETM241P	1PCS	220PCS



One-way socket with screwless terminals, without earth

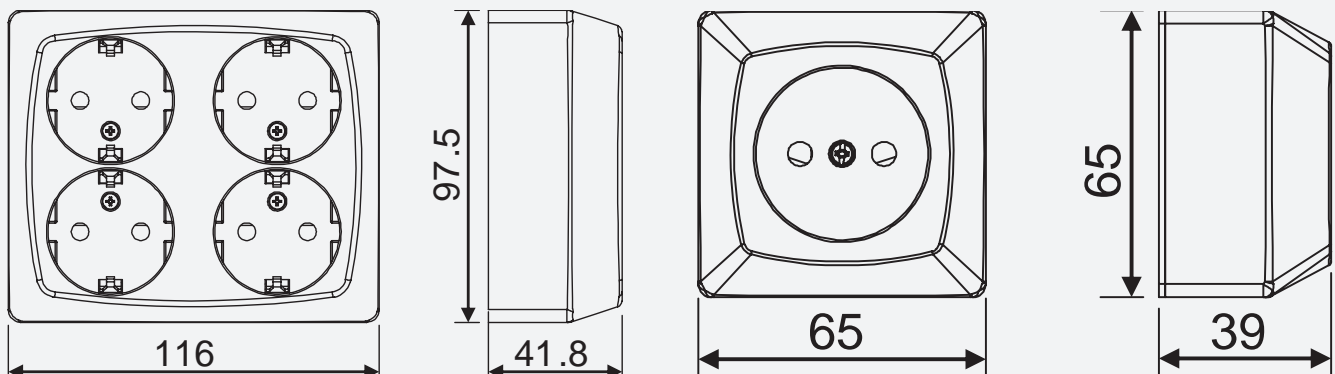
ACJN1010PQ IP20 PC HALOGEN FREE

Colour: white RAL9003 (UV stable)
 Technical data: 16A 250VAC
 Frequency: 50Hz
 Certificates: Semko
 Conforms with: RoHS, WEEE
 Complies with the standards: IEC 60884-1
 Fire hazard test: 850°C (IEC60695-2-11)
 Working temperature: -25°C to +60°C;
 Installation temperature: -5°C to +25°C

Surface-mounted 1-way socket outlet without earth (Schuko), featuring safety shutter and screwless terminals. Includes a durable thermoplastic covering cap and spacious cable compartment. Supplied with back plate for mounting; screw distance c-c 38mm. Ideal for visible installations.

REFERENCE	PACKAGING OPTIONS	
ACJN1010PQ	1PCS	220PCS

Technical drawings





One-way socket with screwless terminals, earthed

ACJN1011PQ IP20 PC HALOGEN FREE

Colour: white RAL9003 (UV stable)
 Technical data: 16A 250VAC
 Frequency: 50Hz
 Certificates: Semko
 Conforms with: RoHS, WEEE
 Complies with the standards: IEC 60884-1
 Fire hazard test: 850°C (IEC60695-2-11)
 Working temperature: -25°C to +60°C;
 Installation temperature: -5°C to +25°C

Surface-mounted 1-way socket outlet with earth (Schuko), featuring safety shutter and screwless terminals. Includes a durable thermoplastic covering cap and spacious cable compartment. Supplied with back plate for mounting; screw distance c-c 38mm. Ideal for visible installations.

REFERENCE	PACKAGING OPTIONS	
ACJN1011PQ	1PCS	200PCS

Two-way socket with screwless terminals, without earth

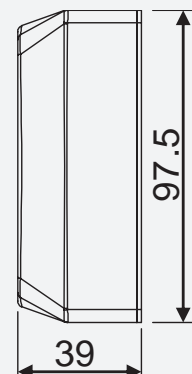
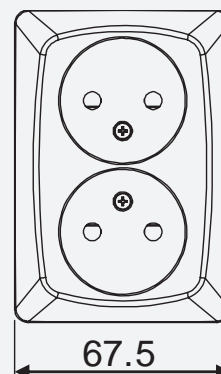
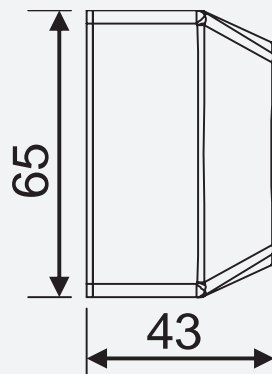
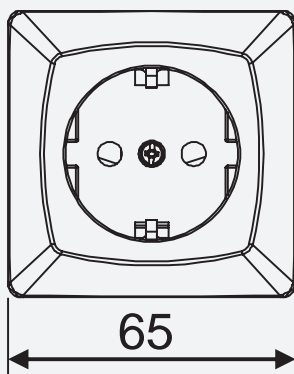
ACJN2010PQ IP21 PC HALOGEN FREE

Colour: white RAL9003 (UV stable)
 Technical data: 16A 250VAC
 Frequency: 50Hz
 Certificates: Semko
 Conforms with: RoHS, WEEE
 Complies with the standards: IEC 60884-1
 Fire hazard test: 850°C (IEC60695-2-11)
 Working temperature: -25°C to +60°C;
 Installation temperature: -5°C to +25°C

Surface-mounted 2-way socket outlet with earth (Schuko), featuring safety shutter and screw terminals. Includes a durable thermoplastic covering cap and spacious cable compartment. Supplied with back plate for mounting; screw distance c-c 38mm. Ideal for visible installations.

REFERENCE	PACKAGING OPTIONS	
ACJN2010PQ	1PCS	135PCS

Technical drawings



Surface-mounted sockets



Two-way sockets with screw terminals, earthed

IP20 PC HALOGEN FREE

Colour: white RAL9003 (UV stable)
 Technical data: 16A 250VAC
 Frequency: 50Hz
 Certificates: Semko
 Conforms with: RoHS, WEEE
 Complies with the standards: IEC 60884-1
 Fire hazard test: 850°C (IEC60695-2-11)
 Working temperature: -25°C to +60°C;
 Installation temperature: -5°C to +25°C

Surface-mounted 2-way earthed socket, featuring safety shutter and screwless terminals. Includes a durable thermoplastic covering cap and spacious cable compartment.

REFERENCE	DESCRIPTION
2011PQV5	Socket, earthed
2011PQTV5	Socket, earthed, feed-through terminals
2011PQDV5	Socket, earthed, feed-through terminals

Four-way socket with screwless terminals, earthed

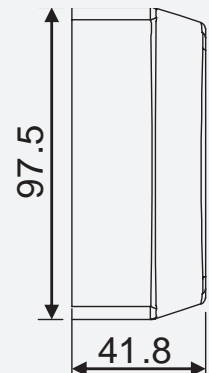
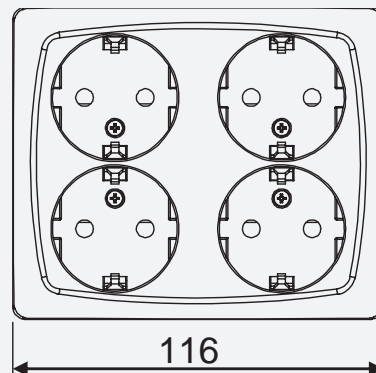
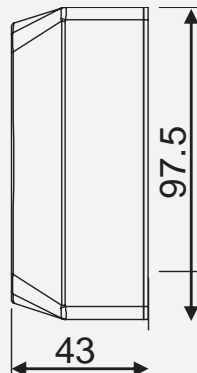
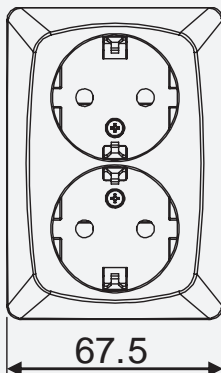
ETM241PQ IP20 PC HALOGEN FREE

Colour: white RAL9003 (UV stable)
 Technical data: 16A 250VAC
 Frequency: 50Hz
 Certificates: Semko
 Conforms with: RoHS, WEEE
 Complies with the standards: IEC 60884-1
 Fire hazard test: 850°C (IEC60695-2-11)
 Working temperature: -25°C to +60°C;
 Installation temperature: -5°C to +25°C

Surface-mounted 4-way socket outlet with earth (Schuko), featuring safety shutter and screwless terminals. Includes a durable thermoplastic covering cap and spacious cable compartment. Supplied with back plate for mounting; screw distance c-c 38mm. Ideal for visible installations.

REFERENCE	PACKAGING OPTIONS	
ETM241PQ	1PCS	65PCS

Technical drawings





Four-way schuko and two-way euro socket with screwless terminals, earthed

ETM404PQ

IP20

PC

HALOGEN FREE

Colour: white RAL9003 (UV stable)
 Technical data: 16A 250VAC
 Frequency: 50Hz
 Certificates: Semko
 Conforms with: RoHS, WEEE
 Complies with the standards: IEC 60884-1
 Fire hazard test: 850°C (IEC60695-2-11)
 Working temperature: -25°C to +60°C;
 Installation temperature: -5°C to +25°C

Surface-mounted 4-way schuko and 2-way euro socket with earth, featuring safety shutter and screwless terminals. Includes a durable thermoplastic covering cap and spacious cable compartment. Supplied with back plate for mounting; screw distance c-c 38mm. Ideal for visible installations.

REFERENCE	PACKAGING OPTIONS	
ETM404PQ	1PCS	30PCS



Two-way socket with screwless terminals, without earth

ETM446PQ

IP21

PC

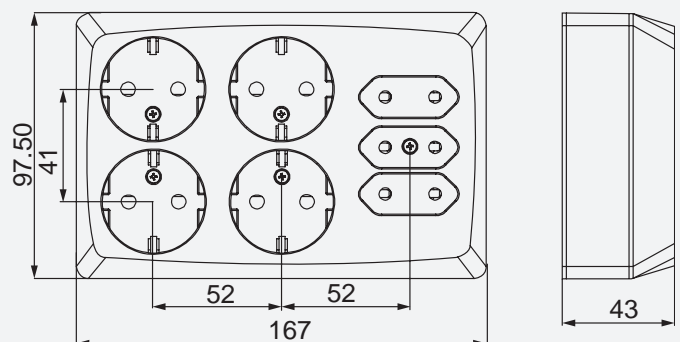
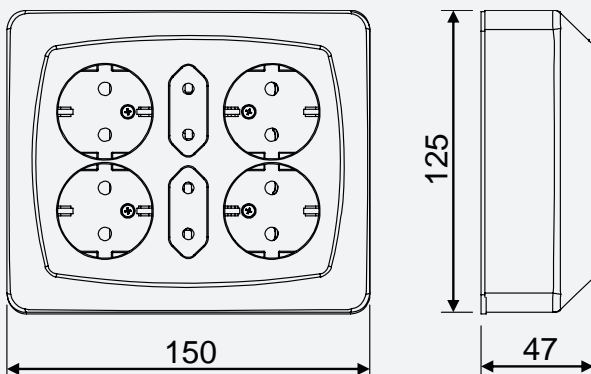
HALOGEN FREE

Colour: white RAL9003 (UV stable)
 Technical data: 16A 250VAC
 Frequency: 50Hz
 Certificates: Semko
 Conforms with: RoHS, WEEE
 Complies with the standards: IEC 60884-1
 Fire hazard test: 850°C (IEC60695-2-11)
 Working temperature: -25°C to +60°C;
 Installation temperature: -5°C to +25°C

Surface-mounted 4-way schuko and 3-way euro socket with earth, featuring safety shutter and screwless terminals. Includes a durable thermoplastic covering cap and spacious cable compartment. Supplied with back plate for mounting; screw distance c-c 38mm. Ideal for visible installations.

REFERENCE	PACKAGING OPTIONS	
ETM446PQ	1PCS	40PCS

Technical drawings



Sockets with lids



Flush-mounted 1-way socket with lid

ETM209PQ IP20 PC HALOGEN FREE

Colour: white RAL9003 (UV stable), black RAL9016
 Technical data: 16A 250VAC
 Frequency: 50Hz
 Certificates: Semko
 Conforms with: RoHS, WEEE
 Complies with the standards: IEC 60884-1
 Fire hazard test: 850°C (IEC60695-2-11)
 Working temperature: -25°C to +60°C;
 Installation temperature: -5°C to +25°C

Single socket outlet with lid, thermoplastic cover and safety shutter. Features screwless terminals, flush wiring, and a special housing (ETM240P/ETM431P/ETM429P) for flush-to-surface transitions. Fits standard wall boxes (60 mm cc).

REFERENCE	PACKAGING	
ETM209PQ	1PCS	80PCS

Flush-mounted 1-way socket with lid, earthed, IP44

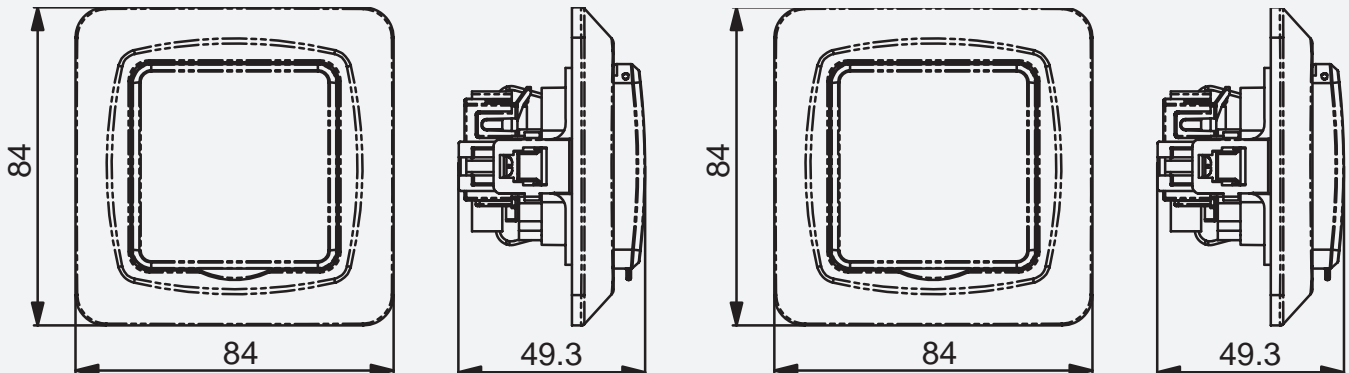
ETM209P44 IP44 PC HALOGEN FREE

Colour: white RAL9003 (UV stable), black RAL9016
 Technical data: 16A 250VAC
 Frequency: 50Hz
 Certificates: Semko
 Conforms with: RoHS, WEEE
 Complies with the standards: IEC 60884-1
 Fire hazard test: 850°C (IEC60695-2-11)
 Working temperature: -25°C to +60°C;
 Installation temperature: -5°C to +25°C

IP44 single socket outlet with lid, thermoplastic cover and safety shutter. Features screw/screwless terminals, flush wiring, and a special housing (ETM240P/ETM431P/ETM429P) for flush-to-surface transitions. Fits standard wall boxes (60 mm cc).

REFERENCE	DESCRIPTION
ETM209P44	with screw terminals
ETM209PQ44	with screwless terminals

Technical drawings





Flush-mounted 1-way socket with gasket, lid, earthed, IP44

ETM207PQ44 IP44 PC HALOGEN FREE

Colour: white RAL9003 (UV stable), black RAL9016
 Technical data: 16A 250VAC
 Frequency: 50Hz
 Certificates: CE
 Conforms with: RoHS, WEEE, LVD
 Complies with the standards: EN 60669-1
 Fire hazard test: 850°C (IEC60695-2-11)
 Working temperature: -25°C to +60°C;
 Installation temperature: -5°C to +25°C

IP44 single socket outlet with gasket, lid, thermoplastic cover and safety shutter. Features screwless terminals, flush wiring, and a special housing (ETM240P/ETM431P/ETM429P) for flush-to-surface transitions. Fits standard wall boxes (60 mm cc).

REFERENCE	PACKAGING	
ETM207PQ44	1PCS	80PCS



Flush-mounted 2-way socket with lid, earthed, IP44

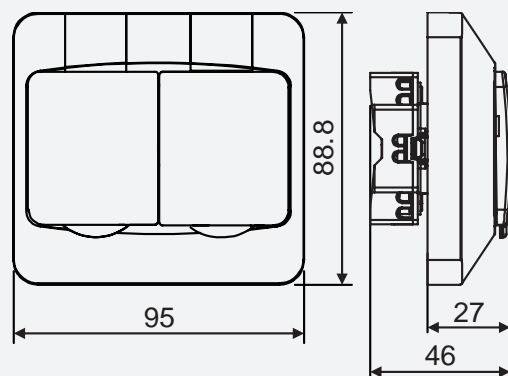
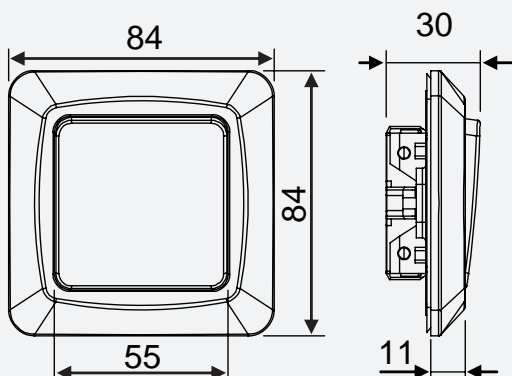
ETM022P44 IP44 PC HALOGEN FREE

ETM022PQ44
 Colour: white RAL9003 (UV stable), black RAL9016
 Technical data: 16A 250VAC
 Frequency: 50Hz
 Certificates: CE
 Conforms with: RoHS, WEEE, LVD
 Complies with the standards: EN 60669-1
 Fire hazard test: 850°C (IEC60695-2-11)
 Working temperature: -25°C to +60°C;
 Installation temperature: -5°C to +25°C

IP44 double socket outlet with lid, thermoplastic cover and safety shutter. Features screw/screwless terminals, flush wiring, and a special housing (ETM240P/ETM431P/ETM429P) for flush-to-surface transitions.

REFERENCE	DESCRIPTION
ETM022P44	with screw terminals
ETM022PQ44	with screwless terminals

Technical drawings



Sockets with lids



Surface-mounted 1-way socket with lid, earthed, IP44

ETM273P IP44 PC HALOGEN FREE

ETM273PQ

Colour: white RAL9003 (UV stable)
 Technical data: 16A 250VAC
 Frequency: 50Hz
 Certificates: Semko
 Conforms with: RoHS, WEEE
 Complies with the standards: EN 60884-1
 Fire hazard test: 94V-0
 Working temperature: -25°C to +60°C;
 Installation temperature: -5°C to +25°C

IP44 surface-mounted 1-way earthed socket with lid and shutter. Screw terminals, durable thermoplastic cover, spacious cable area, and back plate included. Optional connecting piece and strain relief available separately.

REFERENCE	DESCRIPTION
ETM273P	with screw terminals
ETM273PQ	with screwless terminals

Surface-mounted 2-way socket with lid, earthed, IP44

ETM274P IP44 PC HALOGEN FREE

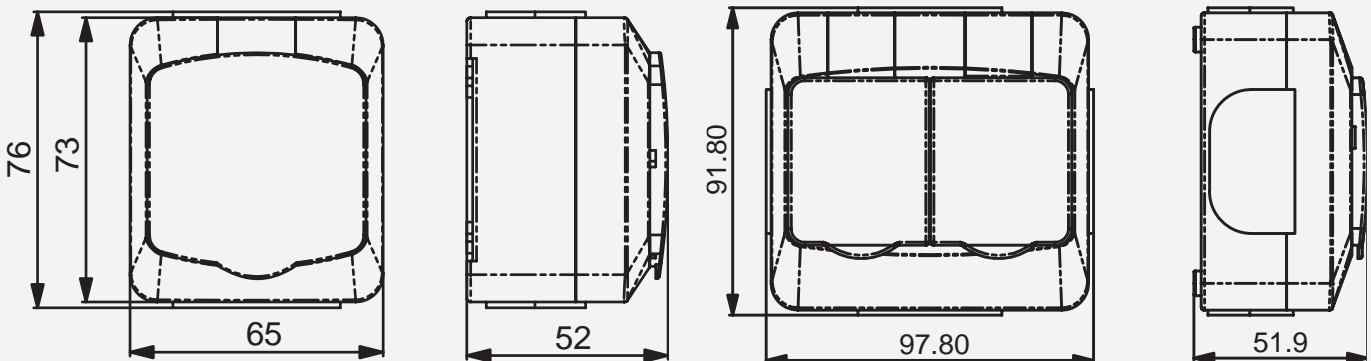
ETM274PQ

Colour: white RAL9003 (UV stable)
 Technical data: 16A 250VAC
 Frequency: 50Hz
 Certificates: Semko
 Conforms with: RoHS, WEEE
 Complies with the standards: EN 60884-1
 Fire hazard test: 94V-0
 Working temperature: -25°C to +60°C;
 Installation temperature: -5°C to +25°C

IP44 surface-mounted 2-way earthed socket with lid and shutter. Screw terminals, durable thermoplastic cover, spacious cable area, and back plate included. Optional connecting piece and strain relief available separately.

REFERENCE	DESCRIPTION
ETM274P	with screw terminals
ETM274PQ	with screwless terminals

Technical drawings





Surface-mounted 2-way socket with lid, earthed, IP44

ETM271P

IP44

PC

HALOGEN FREE

ETM271PQ

Colour: white RAL9003 (UV stable)

Technical data: 16A 250VAC

Frequency: 50Hz

Certificates: Semko

Conforms with: RoHS, WEEE

Complies with the standards: EN 60884-1

Fire hazard test: 94V-0

Working temperature: -25°C to +60°C;

Installation temperature: -5°C to +25°C

IP44 surface-mounted 2-way earthed socket with lid and shutter. Screw terminals, durable thermoplastic cover, spacious cable area, and back plate included. Optional connecting piece and strain relief available separately.

REFERENCE	DESCRIPTION
ETM271P	with screw terminals
ETM271PQ	with screwless terminals



Surface-mounted 2-way socket with lid, earthed, IP44

ETM278P

IP44

PC

HALOGEN FREE

ETM278PQ

Colour: white RAL9003 (UV stable)

Technical data: 16A 250VAC

Frequency: 50Hz

Certificates: Semko

Conforms with: RoHS, WEEE

Complies with the standards: EN 60884-1

Fire hazard test: 94V-0

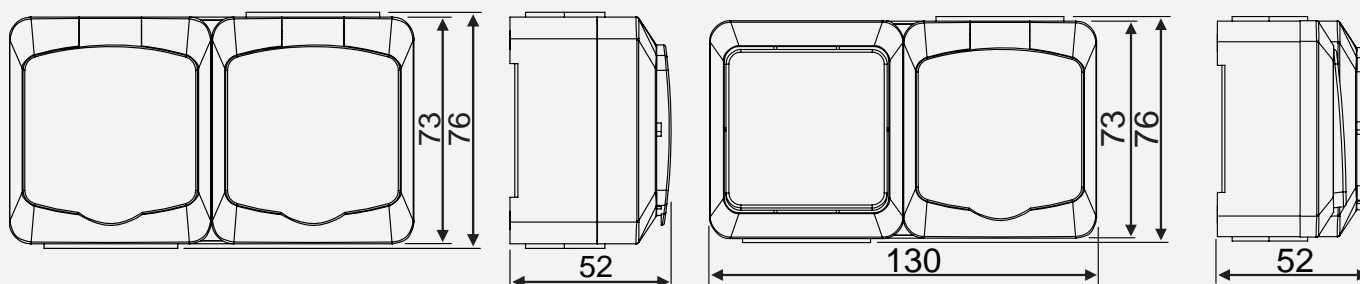
Working temperature: -25°C to +60°C;

Installation temperature: -5°C to +25°C

IP44 surface-mounted 1-way socket with shutter and 2-pole switch, Pattern No. 2. Earthed, screw terminals, durable thermoplastic cover, spacious cable area. Back plate included. Optional connecting piece and strain relief available.

REFERENCE	DESCRIPTION
ETM278P	with screw terminals
ETM278PQ	with screwless terminals

Technical drawings



Accessories for surface-mounted products



Connecting piece

ETM275S

IP44

PC

HALOGEN FREE

Colour: white RAL9003 (UV stable)
 Technical data: 16A 250VAC
 Frequency: 50Hz
 Certificates: Semko
 Conforms with: RoHS, WEEE
 Complies with the standards: EN 60884-1
 Fire hazard test: 94V-0
 Working temperature: -25°C to +60°C;
 Installation temperature: -5°C to +25°C

Connecting piece for surface-mounted switches and sockets. Enables secure and aligned connection of two units side by side. Ensures a neat installation and consistent spacing between products. Suitable for use with IP44 and IP54-rated ranges.

REFERENCE	PACKAGING	
ETM275S	1PCS	1000PCS



Distance block

ETM668S

IP20

PP

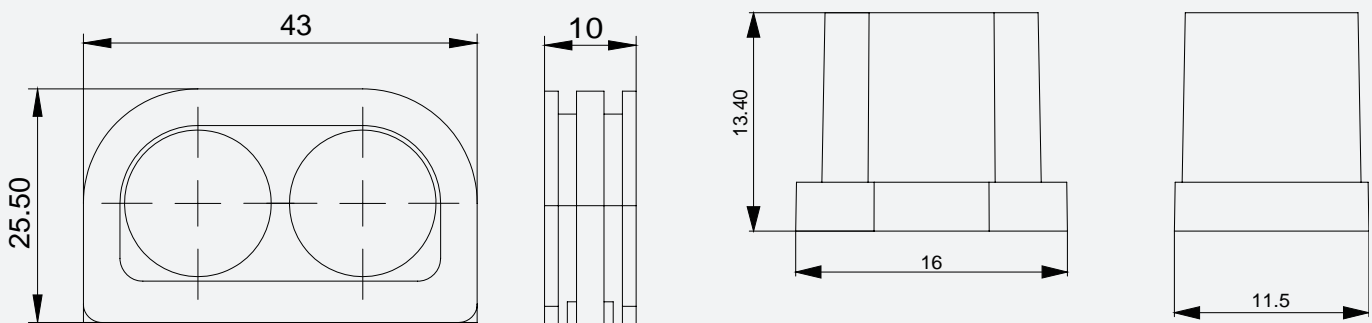
HALOGEN FREE

Colour: white RAL9003 (UV stable)
 Technical data: 16A 250VAC
 Frequency: 50Hz
 Certificates: Semko
 Conforms with: RoHS, WEEE
 Complies with the standards: EN 60884-1
 Fire hazard test: 94V-0
 Working temperature: -25°C to +60°C;
 Installation temperature: -5°C to +25°C

Distance block with 13.4 mm height creates space between the wall and mounted product, allowing easy cable insertion or routing at the rear edge. Ideal for junction box installations where rear access is needed.

REFERENCE	PACKAGING OPTIONS	
ETM668S	1PCS	100PCS

Technical drawings





Strain relief

ETM276S

IP44

PC

HALOGEN FREE

Colour: white RAL9003 (UV stable)

Technical data: 16A 250VAC

Frequency: 50Hz

Certificates: Semko

Conforms with: RoHS, WEEE

Complies with the standards: EN 60884-1

Fire hazard test: 94V-0

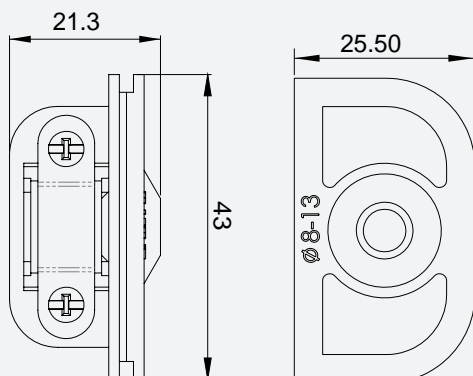
Working temperature: -25°C to +60°C;

Installation temperature: -5°C to +25°C

Strain relief for surface-mounted sockets and switches. Replaces the original membrane cable entry to accommodate heavy-duty cables (Ø8–13 mm), such as rubber cables. Ensures secure cable fastening and reduces strain on terminals during installation.

REFERENCE	PACKAGING	
ETM276S	1PCS	600PCS

Technical drawings



Flush switches and push buttons



1 pole/2way switch

ETM201P **IP20** **PC** **HALOGEN FREE**

ETM201PQ

Colour: white RAL9003 (UV stable), black RAL9016
 Technical data: 16A 250VAC
 Frequency: 50Hz
 Certificates: Semko,CE
 Conforms with: RoHS, WEEE, LVD
 Complies with the standards: EN 60669-1
 Fire hazard test: 850°C (IEC60695-2-11)
 Working temperature: -25°C to +60°C;
 Installation temperature: -5°C to +25°C

1-pole/2-way switch, Pattern No. 1/6, with wiring diagram printed on the rear. Features thermoplastic rocker and cover plate, and flush wiring. Fits standard wall boxes (60mm cc) with 55×55mm central plate and 84mm cover plate spacing.

REFERENCE	DESCRIPTION
ETM201P	with screw terminals
ETM201PQ	with screwless terminals

2 pole switch

ETM202P **IP20** **PC** **HALOGEN FREE**

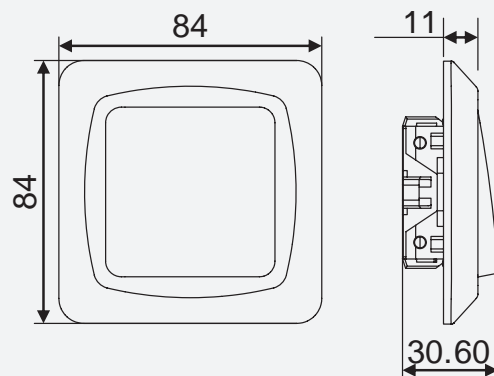
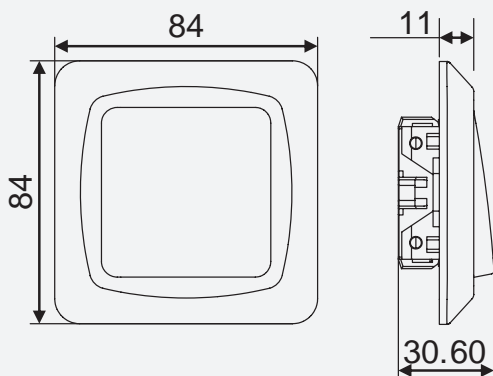
ETM202PQ

Colour: white RAL9003 (UV stable), black RAL9016
 Technical data: 16A 250VAC
 Frequency: 50Hz
 Certificates: Semko,CE
 Conforms with: RoHS, WEEE, LVD
 Complies with the standards: EN 60669-1
 Fire hazard test: 850°C (IEC60695-2-11)
 Working temperature: -25°C to +60°C;
 Installation temperature: -5°C to +25°C

2-pole switch, Pattern No. 2, with wiring diagram printed on the rear side. Equipped with flush wiring, and thermoplastic rocker and cover plate. Fits 60mm cc wall boxes, with a 55×55mm central plate and 84mm cover plate spacing.

REFERENCE	DESCRIPTION
ETM202P	with screw terminals
ETM202PQ	with screwless terminals

Technical drawings





1+2 pole switch

ETM203P IP20 PC HALOGEN FREE

ETM203PQ

Colour: white RAL9003 (UV stable), black RAL9016
 Technical data: 16A 250VAC
 Frequency: 50Hz
 Certificates: Semko, CE
 Conforms with: RoHS, WEEE, LVD
 Complies with the standards: EN 60669-1
 Fire hazard test: 850°C (IEC60695-2-11)
 Working temperature: -25°C to +60°C;
 Installation temperature: -5°C to +25°C

1+2 pole switch, Pattern No. 1+2, with wiring diagram printed on the rear side. Features flush wiring, thermoplastic rocker and cover plate, and standard 55×55 mm central plate. Fits wall boxes with 60 mm cc screw spacing and 84mm cc cover plate.

REFERENCE	DESCRIPTION
ETM203P	with screw terminals
ETM203PQ	with screwless terminals



1 pole/2way switch

ETM204P IP20 PC HALOGEN FREE

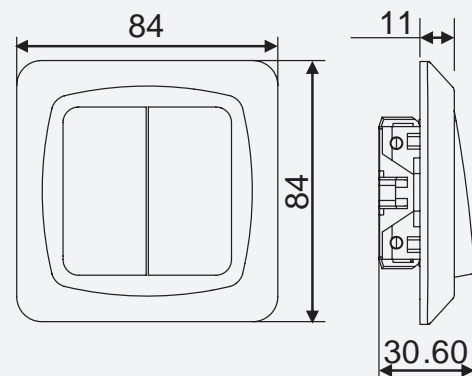
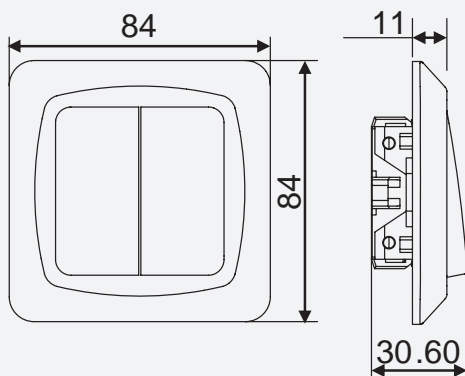
ETM204PQ

Colour: white RAL9003 (UV stable), black RAL9016
 Technical data: 16A 250VAC
 Frequency: 50Hz
 Certificates: Semko, CE
 Conforms with: RoHS, WEEE, LVD
 Complies with the standards: EN 60669-1
 Fire hazard test: 850°C (IEC60695-2-11)
 Working temperature: -25°C to +60°C;
 Installation temperature: -5°C to +25°C

1-pole/2-way switch, Pattern No. 5, with wiring diagram printed on the rear side. Features a thermoplastic rocker and cover plate with a standard 55×55 mm central plate. Fits wall boxes with 60 mm c-c screw spacing and 84 mm cover plate spacing.

REFERENCE	DESCRIPTION
ETM204P	with screw terminals
ETM204PQ	with screwless terminals

Technical drawings



Flush switches and push buttons



Reversing switch

ETM352P IP20 PC HALOGEN FREE

ETM352PQ

Colour: white RAL9003 (UV stable), black RAL9016

Technical data: 16A 250VAC

Frequency: 50Hz

Certificates: Semko,CE

Conforms with: RoHS, WEEE, LVD

Complies with the standards: EN 60669-1

Fire hazard test: 850°C (IEC60695-2-11)

Working temperature: -25°C to +60°C;

Installation temperature: -5°C to +25°C

Reversing switch, Pattern No. 7, with wiring diagram printed on the rear. Features thermoplastic rocker and cover plate, and flush wiring. Fits standard wall boxes (60mm cc) with 55×55mm central plate and 84mm cover plate spacing.

REFERENCE	DESCRIPTION
ETM352P	with screw terminals
ETM352PQ	with screwless terminals

1+1 pole/2way switch

ETM351P IP20 PC HALOGEN FREE

ETM351PQ

Colour: white RAL9003 (UV stable), black RAL9016

Technical data: 16A 250VAC

Frequency: 50Hz

Certificates: Semko,CE

Conforms with: RoHS, WEEE, LVD

Complies with the standards: EN 60669-1

Fire hazard test: 850°C (IEC60695-2-11)

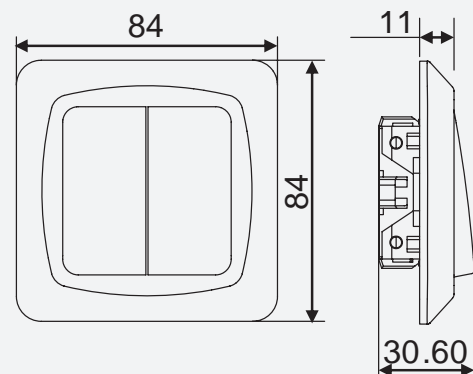
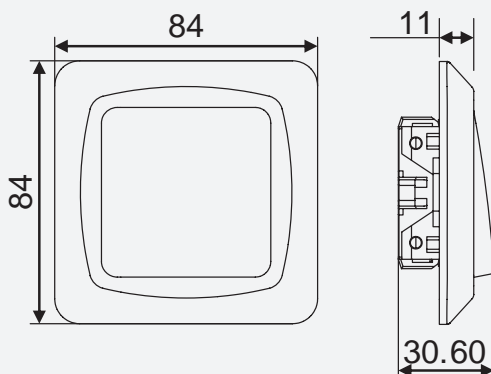
Working temperature: -25°C to +60°C;

Installation temperature: -5°C to +25°C

1+1 pole/2-way switch, Pattern No. 6+6, with wiring diagram printed on the back. Features dual rockers with thermoplastic cover, flush design, and 55×55mm central plate. Fits wall boxes with 60mm cc screw spacing and 84mm cc cover plate spacing.

REFERENCE	DESCRIPTION
ETM351P	with screw terminals
ETM351PQ	with screwless terminals

Technical drawings





1 pole/2way push button

ETM201PP **IP20** **PC** **HALOGEN FREE**

ETM201PQP

Colour: white RAL9003 (UV stable), black RAL9016
 Technical data: 16A 250VAC
 Frequency: 50Hz
 Certificates: Semko, CE
 Conforms with: RoHS, WEEE, LVD
 Complies with the standards: EN 60669-1
 Fire hazard test: 850°C (IEC60695-2-11)
 Working temperature: -25°C to +60°C;
 Installation temperature: -5°C to +25°C

1-pole/2-way push button, Pattern No. 1/6, with wiring diagram printed on the rear. Features thermoplastic rocker and cover plate, and flush wiring. Fits standard wall boxes (60mm cc) with 55x55mm central plate and 84mm cover plate spacing.

REFERENCE	DESCRIPTION
ETM201PP	with screw terminals
ETM201PQP	with screwless terminals

2 pole push button

ETM202PP **IP20** **PC** **HALOGEN FREE**

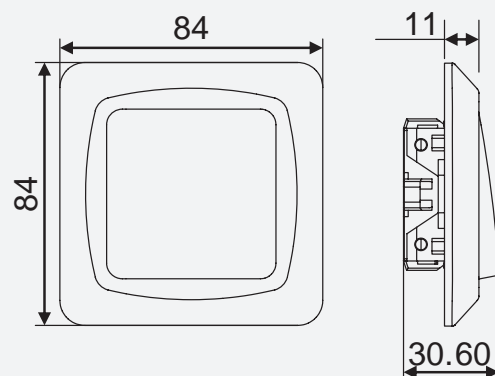
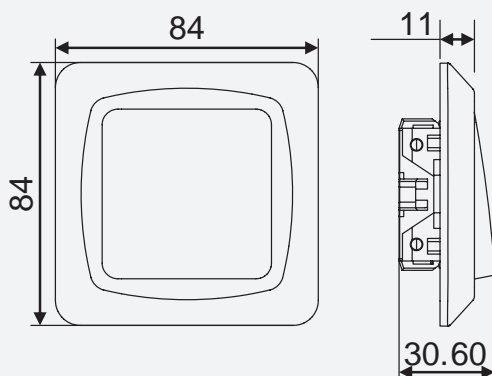
ETM202PQP

Colour: white RAL9003 (UV stable), black RAL9016
 Technical data: 16A 250VAC
 Frequency: 50Hz
 Certificates: Semko, CE
 Conforms with: RoHS, WEEE, LVD
 Complies with the standards: EN 60669-1
 Fire hazard test: 850°C (IEC60695-2-11)
 Working temperature: -25°C to +60°C;
 Installation temperature: -5°C to +25°C

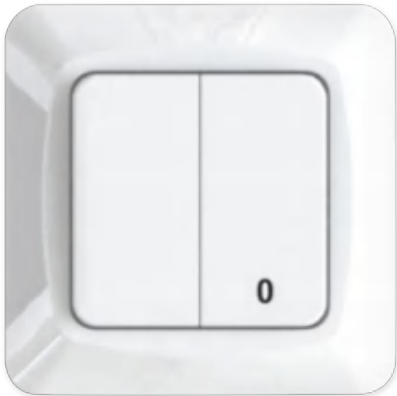
2-pole push button, Pattern No. 2, with wiring diagram printed on the rear side. Equipped with flush wiring, and thermoplastic rocker and cover plate. Fits 60mm cc wall boxes, with a 55x55mm central plate and 84mm cover plate spacing.

REFERENCE	DESCRIPTION
ETM202PP	with screw terminals
ETM202PQP	with screwless terminals

Technical drawings



Flush switches and push buttons



1+2 pole push button

ETM203PP IP20 PC HALOGEN FREE

ETM203PQP

Colour: white RAL9003 (UV stable), black RAL9016

Technical data: 16A 250VAC

Frequency: 50Hz

Certificates: Semko,CE

Conforms with: RoHS, WEEE, LVD

Complies with the standards: EN 60669-1

Fire hazard test: 850°C (IEC60695-2-11)

Working temperature: -25°C to +60°C;

Installation temperature: -5°C to +25°C

1+2 pole push button, Pattern No. 1+2, with wiring diagram printed on the back. Features flush wiring, thermoplastic rocker and cover plate, and standard 55×55 mm central plate. Fits wall boxes with 60 mm cc screw spacing and 84mm cc cover plate.

REFERENCE	DESCRIPTION
ETM203PP	with screw terminals
ETM203PQP	with screwless terminals

1 pole/2way push button

ETM204PP IP20 PC HALOGEN FREE

ETM204PQP

Colour: white RAL9003 (UV stable), black RAL9016

Technical data: 16A 250VAC

Frequency: 50Hz

Certificates: Semko,CE

Conforms with: RoHS, WEEE, LVD

Complies with the standards: EN 60669-1

Fire hazard test: 850°C (IEC60695-2-11)

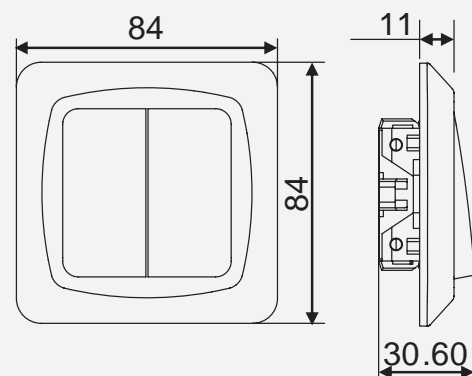
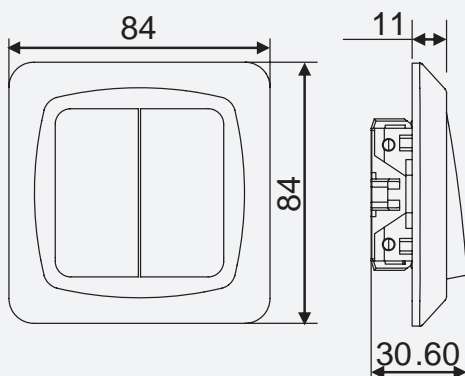
Working temperature: -25°C to +60°C;

Installation temperature: -5°C to +25°C

1-pole/2-way push button, Pattern No. 5, with wiring diagram printed on the back. Features a thermoplastic rocker and cover plate with a standard 55×55 mm central plate. Fits wall boxes with 60 mm c-c screw spacing and 84 mm cover plate spacing.

REFERENCE	DESCRIPTION
ETM204PP	with screw terminals
ETM204PQP	with screwless terminals

Technical drawings





1 pole doorbell push button without printed marking

ETM214P

IP20

PC

HALOGEN FREE

ETM214PQ

Colour: white RAL9003 (UV stable), black RAL9016

Technical data: 16A 250VAC

Frequency: 50Hz

Certificates: Semko, CE

Conforms with: RoHS, WEEE, LVD

Complies with the standards: EN 60669-1

Fire hazard test: 850°C (IEC60695-2-11)

Working temperature: -25°C to +60°C;

Installation temperature: -5°C to +25°C

1-pole doorbell push button, Pattern No. 1, with wiring diagram printed on the rear. Features thermoplastic rocker and cover plate, and flush wiring. Fits standard wall boxes (60mm cc) with 55x55mm central plate and 84mm cover plate spacing.

REFERENCE	DESCRIPTION
ETM214P	with screw terminals
ETM214PQ	with screwless terminals

1 pole doorbell push button with printed marking

ETM214PD

IP20

PC

HALOGEN FREE

ETM214PQD

Colour: white RAL9003 (UV stable), black RAL9016

Technical data: 16A 250VAC

Frequency: 50Hz

Certificates: Semko, CE

Conforms with: RoHS, WEEE, LVD

Complies with the standards: EN 60669-1

Fire hazard test: 850°C (IEC60695-2-11)

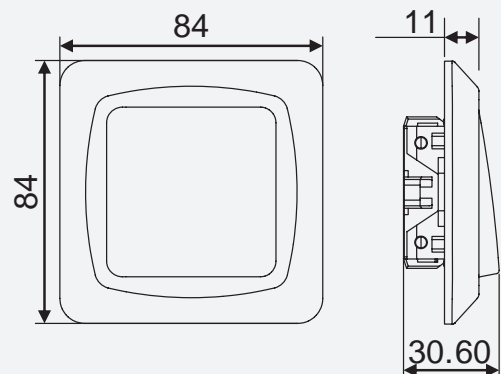
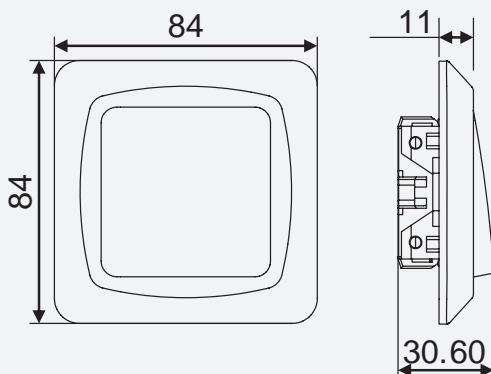
Working temperature: -25°C to +60°C;

Installation temperature: -5°C to +25°C

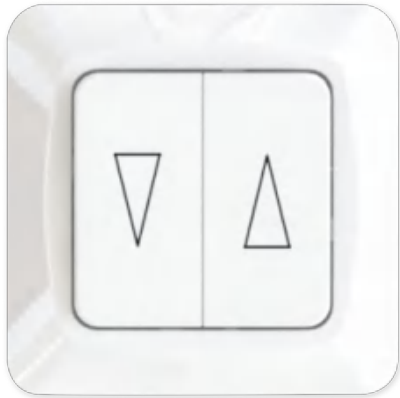
1-pole doorbell push button, Pattern No. 1, with wiring diagram printed on the rear. Features thermoplastic rocker and cover plate, and flush wiring. Fits standard wall boxes (60mm cc) with 55x55mm central plate and 84mm cover plate spacing.

REFERENCE	DESCRIPTION
ETM214PD	with screw terminals
ETM214PQD	with screwless terminals

Technical drawings



Flush switches and push buttons



1 pole shutter push button

ETM355P IP20 PC HALOGEN FREE

ETM355PQ

Colour: white RAL9003 (UV stable), black RAL9016
 Technical data: 16A 250VAC
 Frequency: 50Hz
 Certificates: Semko,CE
 Conforms with: RoHS, WEEE, LVD
 Complies with the standards: EN 60669-1
 Fire hazard test: 850°C (IEC60695-2-11)
 Working temperature: -25°C to +60°C;
 Installation temperature: -5°C to +25°C

1 pole push button/shutter. Features flush wiring, thermoplastic rocker and cover plate, and standard 55x55 mm central plate. Fits wall boxes with 60 mm cc screw spacing and 84mm cc cover plate.

REFERENCE	DESCRIPTION
ETM355P	with screw terminals
ETM355PQ	with screwless terminals

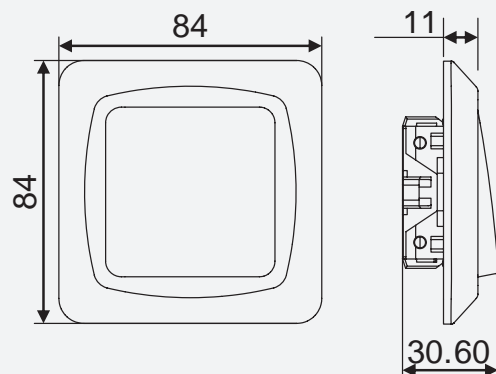
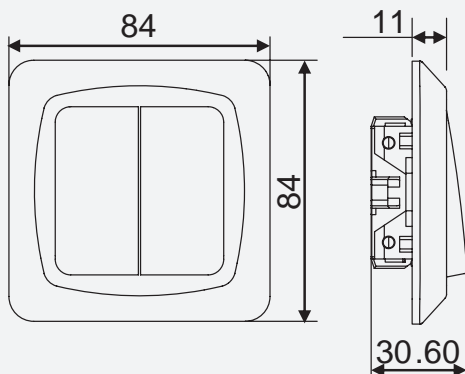
Switches with indication lamp, screwless terminals

IP20 PC HALOGEN FREE

Colour: white RAL9003 (UV stable), black RAL9016
 Technical data: 16A 250VAC
 Frequency: 50Hz
 Certificates: Semko,CE
 Conforms with: RoHS, WEEE, LVD
 Complies with the standards: EN 60669-1
 Fire hazard test: 850°C (IEC60695-2-11)
 Working temperature: -25°C to +60°C;
 Installation temperature: -5°C to +25°C

REFERENCE	DESCRIPTION
ETM201PQL	1 pole/2 way, patern no. 1/6, lamp is on when switch is on
ETM202PQL	2 pole, patern no. 2, lamp is on when switch is on
ETM201PQLN	1 pole/2 way, patern no. 1/6, lamp is on when switch is off
ETM202PQLN	2 pole, patern no. 2, lamp is always on

Technical drawings





Push buttons with indication lamp, screwless terminals

IP20 PC HALOGEN FREE

Colour: white RAL9003 (UV stable), black RAL9016
 Technical data: 16A 250VAC
 Frequency: 50Hz
 Certificates: Semko, CE
 Conforms with: RoHS, WEEE, LVD
 Complies with the standards: EN 60669-1
 Fire hazard test: 850°C (IEC60695-2-11)
 Working temperature: -25°C to +60°C;
 Installation temperature: -5°C to +25°C

REFERENCE	DESCRIPTION
ETM201PQLP	1 pole/2 way, patern no. 1/6, lamp is on when switch is on
ETM202PQLP	2 pole, patern no. 2, lamp is on when switch is on
ETM201PQLNP	1 pole/2 way, patern no. 1/6, lamp is on when switch is off
ETM202PQLNP	2 pole, patern no. 2, lamp is always on

3 gang switch with screwless terminals

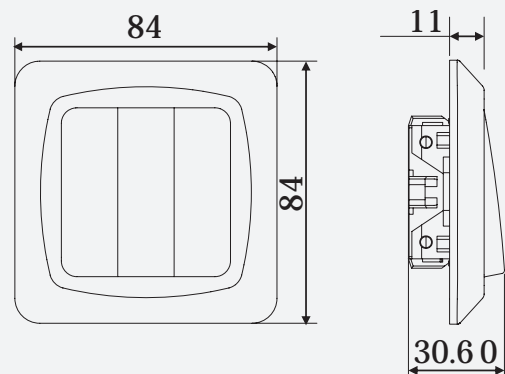
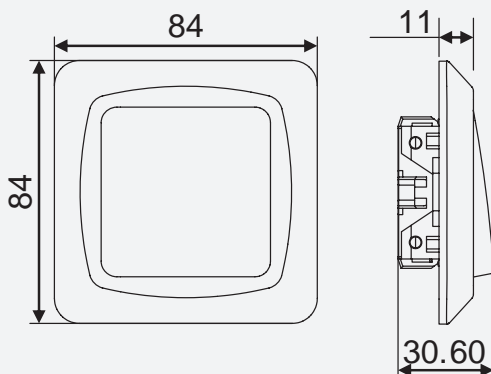
ETM353PQ IP20 PC HALOGEN FREE

Colour: white RAL9003 (UV stable), black RAL9016
 Technical data: 16A 250VAC
 Frequency: 50Hz
 Certificates: Semko, CE
 Conforms with: RoHS, WEEE, LVD
 Complies with the standards: EN 60669-1
 Fire hazard test: 850°C (IEC60695-2-11)
 Working temperature: -25°C to +60°C;
 Installation temperature: -5°C to +25°C

3-gang switch, Pattern No. 1+1+1, with wiring diagram printed on the rear. Features thermoplastic rocker and cover plate, and flush wiring. Fits standard wall boxes (60mm cc) with 55×55mm central plate and 84mm cover plate spacing.

REFERENCE	DESCRIPTION
ETM353PQ	with screwless terminals

Technical drawings



Flush switches and push buttons



1 pole/ 2way switch with claws and screwless terminals

ETM201PQ.C IP21 PC HALOGEN FREE

Colour: white RAL9003 (UV stable), black RAL9016
 Technical data: 16A 250VAC
 Frequency: 50Hz
 Certificates: Semko,CE
 Conforms with: RoHS, WEEE, LVD
 Complies with the standards: EN 60669-1
 Fire hazard test: 850°C (IEC60695-2-11)
 Working temperature: -25°C to +60°C;
 Installation temperature: -5°C to +25°C

1-pole/2-way switch with claws, Pattern No. 1/6, with wiring diagram printed on the back. Features a thermoplastic rocker and cover plate with a 55×55mm central plate. Fits wall boxes with 60mm cc screw spacing and 84mm cover plate spacing.

REFERENCE	PACKAGING OPTIONS
ETM201PQ.C	1PCS



1 pole/ 2way switch with claws and screwless terminals

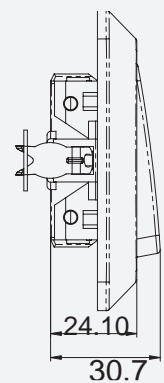
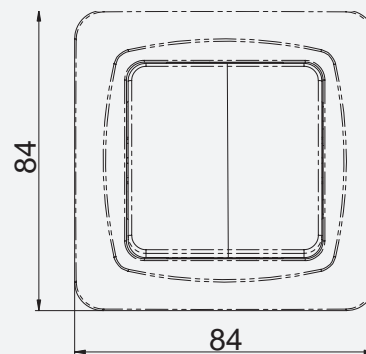
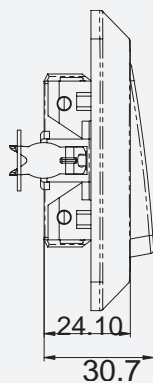
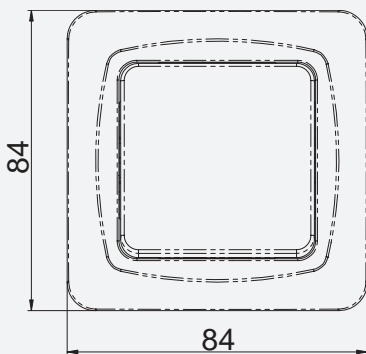
ETM204PQ.C IP21 PC HALOGEN FREE

Colour: white RAL9003 (UV stable), black RAL9016
 Technical data: 16A 250VAC
 Frequency: 50Hz
 Certificates: Semko,CE
 Conforms with: RoHS, WEEE, LVD
 Complies with the standards: EN 60669-1
 Fire hazard test: 850°C (IEC60695-2-11)
 Working temperature: -25°C to +60°C;
 Installation temperature: -5°C to +25°C

1-pole and 2 way switch with claws, Pattern No. 5, with wiring diagram printed on the back. Features a thermoplastic rocker and cover plate with a 55×55mm central plate. Fits wall boxes with 60mm cc screw spacing and 84mm cover plate spacing.

REFERENCE	PACKAGING OPTIONS
ETM204PQ.C	1PCS

Technical drawings





Splashproof switch, IP44

ETM201PQ44 **IP44** **PC** **HALOGEN FREE**

Colour: white RAL9003 (UV stable), black RAL9016
 Technical data: 16A 250VAC
 Frequency: 50Hz
 Certificates: CE
 Conforms with: RoHS, WEEE, LVD
 Complies with the standards: EN 60669-1
 Fire hazard test: 94V-0 (main parts)
 Working temperature: -25°C to +60°C;
 Installation temperature: -5°C to +25°C

IP44-rated switch, Pattern No. 1/6, with gasket for moisture protection. Features screwless terminals, flush wiring, and a 55×55mm central plate compatible with IP44 combination plates. Fits standard wall boxes with 60 mm c-c screw spacing.

REFERENCE	PACKAGING OPTIONS
ETM201PQ44	1PCS



Splashproof switch, IP44

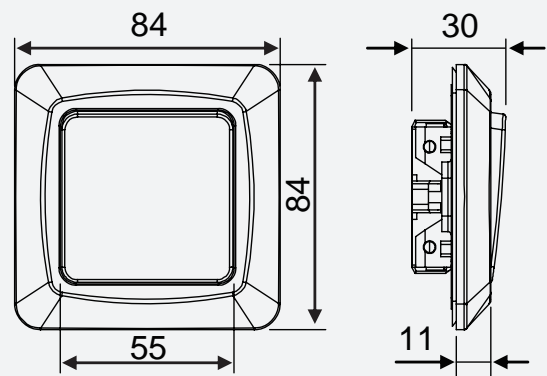
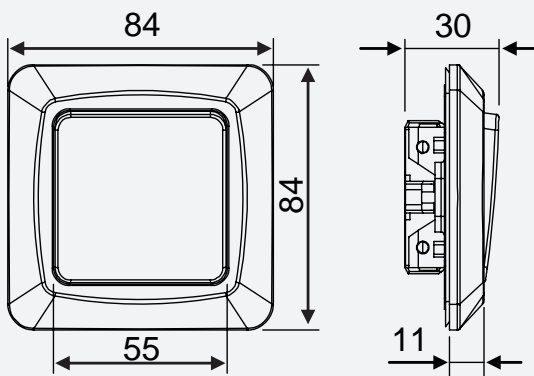
ETM202PQ44 **IP44** **PC** **HALOGEN FREE**

Colour: white RAL9003 (UV stable), black RAL9016
 Technical data: 16A 250VAC
 Frequency: 50Hz
 Certificates: CE
 Conforms with: RoHS, WEEE, LVD
 Complies with the standards: EN 60669-1
 Fire hazard test: 94V-0 (main parts)
 Working temperature: -25°C to +60°C;
 Installation temperature: -5°C to +25°C

IP44-rated switch, Pattern No. 2, with gasket for moisture protection. Features screwless terminals, flush wiring, and a 55×55mm central plate compatible with IP44 combination plates. Fits standard wall boxes with 60 mm c-c screw spacing.

REFERENCE	PACKAGING OPTIONS
ETM202PQ44	1PCS

Technical drawings



Flush switches and push buttons



Splashproof switch, IP44

ETM204PQ44 IP44 PC HALOGEN FREE

Colour: white RAL9003 (UV stable), black RAL9016
 Technical data: 16A 250VAC
 Frequency: 50Hz
 Certificates: CE
 Conforms with: RoHS, WEEE, LVD
 Complies with the standards: EN 60669-1
 Fire hazard test: 94V-0 (main parts)
 Working temperature: -25°C to +60°C;
 Installation temperature: -5°C to +25°C

IP44-rated switch, Pattern No. 5, with gasket for moisture protection. Features screwless terminals, flush wiring, and a 55×55mm central plate compatible with IP44 combination plates. Fits standard wall boxes with 60 mm c-c screw spacing.

REFERENCE	PACKAGING OPTIONS
ETM204PQ44	1PCS

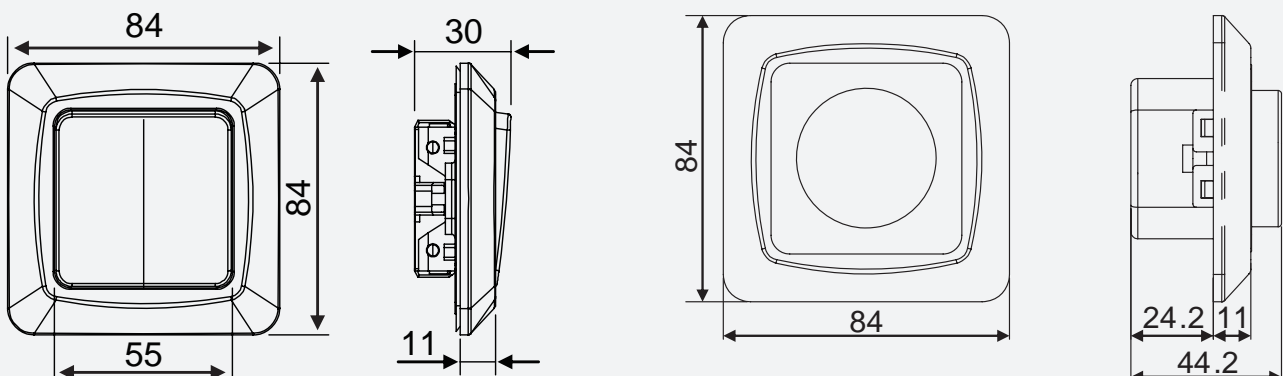
Trailing edge dimmer with screw terminals, 315W

ETM321PV2 IP20 PC HALOGEN FREE

Colour: white RAL9003 (UV stable), black RAL9017
 Technical data: 230VAC 50Hz
 Certificates: CE, Semko
 Conforms with: RoHS, WEEE, LVD, EMC, REACH
 Complies with the standards: EN 60669-1, EN 60669-2-1
 Fire hazard test: 850°C (IEC60695-2-11)
 Working temperature: 0°C to +40°C
 Neutral conductor: not required
 Load type: 230V incandescent lamps (ohmic load, R), 25-31W; 230V halogen lamps (ohmic load, R), 25-31W; 12V low-voltage halogen lamps with dimmable wound (conventional) transformer (inductive load, L) not suitable; 12V low-voltage halogen lamps with electronic transformer (capacitive load, C), 25-31VA, (max 3x transformers 105W; dimmable LED lamp (trailing edge, RC mode), 10-100VA; dimmable LED lamp (leading edge, RL mode) not suitable.

REFERENCE	PACKAGING OPTIONS	
ETM321PV2	1PCS	80PCS

Technical drawings





Leading/trailing edge dimmer with screw terminals, 400W

ETM329P

IP20

PC

HALOGEN FREE

Colour: white RAL9003 (UV stable), black RAL9017
 Technical data: 230VAC 50Hz
 Certificates: CE, Semko
 Conforms with: RoHS, WEEE, LVD, EMC
 Complies with the standards: EN 60669-1, EN 60669-2-1
 Fire hazard test: 850°C (IEC60695-2-11)
 Working temperature: 0°C to +40°C
 Neutral conductor: required
 Load type: 230V incandescent lamps (ohmic load, R), 4-400W; 230V halogen lamps (ohmic load, R), 4-400W; 12V low-voltage halogen lamps with dimmable wound (conventional) transformer (inductive load, L), 4-400VA, max 2x transformers 150W; max 3x transformers 105W; max 5x transformers 70W); 12V low-voltage halogen lamps with electronic transformer (capacitive load, C), 4-400VA, (max 2x transformers 150W; max 3x transformers 105W; max 5x transformers 70W); dimmable LED lamp (trailing edge, RC mode), 4-200VA; dimmable LED lamp (leading edge, RL mode), 4-40VA; dimmable LED filament, 4-200VA

REFERENCE	PACKAGING OPTIONS	
ETM329P	1PCS	80PCS



2 pole leading/trailing edge dimmer with screw terminals, 400W

ETM323P

IP20

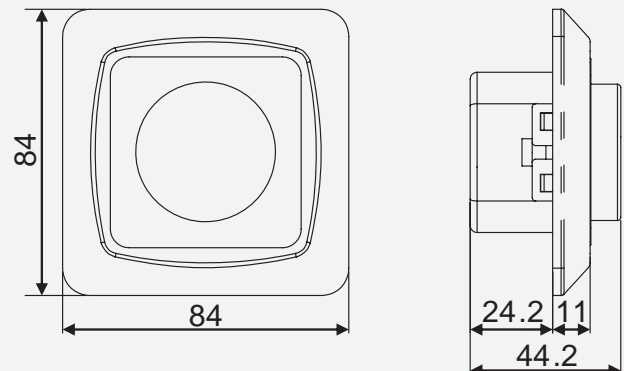
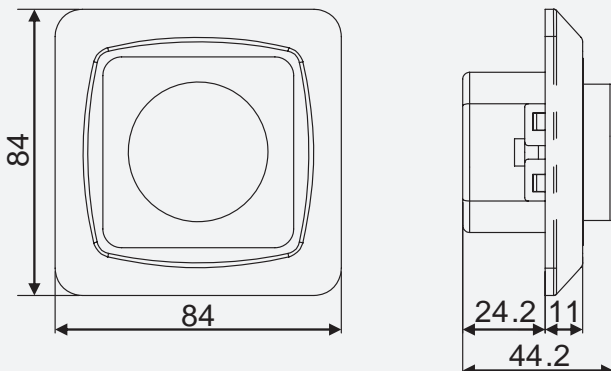
PC

HALOGEN FREE

Colour: white RAL9003 (UV stable), black RAL9017
 Technical data: 230VAC 50Hz
 Certificates: CE, Semko
 Conforms with: RoHS, WEEE, LVD, EMC, REACH
 Complies with the standards: EN 60669-1, EN 60669-2-1
 Fire hazard test: 850°C (IEC60695-2-11)
 Working temperature: 0°C to +40°C
 Neutral conductor: required
 Load type: 230V incandescent lamps (ohmic load, R), 4-400W; 230V halogen lamps (ohmic load, R), 4-400W; 12V low-voltage halogen lamps with dimmable wound (conventional) transformer (inductive load, L), 4-400VA, max 2x transformers 150W; max 3x transformers 105W; max 5x transformers 70W); 12V low-voltage halogen lamps with electronic transformer (capacitive load, C), 4-400VA, (max 2x transformers 150W; max 3x transformers 105W; max 5x transformers 70W); dimmable LED lamp (trailing edge, RC mode), 4-200VA; dimmable LED lamp (leading edge, RL mode), 4-40VA; dimmable LED filament, 4-200VA

REFERENCE	PACKAGING OPTIONS	
ETM323P	1PCS	80PCS

Technical drawings





DALI dimmer with screw terminals

ETM325P IP20 PC HALOGEN FREE

Colour: white RAL9003 (UV stable), black RAL9017
 Technical data: 230VAC 50Hz
 Certificates: CE
 Conforms with: RoHS, WEEE, LVD, EMC, REACH
 Complies with the standards: EN 60669-2-1
 Fire hazard test: 850°C (IEC60695-2-11)
 Working temperature: 0°C to +50°C
 Designation: DALI MCU
 Power connection: L, N AC mains
 Operating voltage: 100-240V AC
 Power consumption: 2.3W max
 DALI connection: DA+/DA-, max 300m cable length, DALI power supply output current max 100mA.
 Perm. cable cross-section: 0.5-1.5mm²
 Ambient temperature: 0° to 50°C
 Protection class: II
 Each control circuit can supply DALI power to 50 DALI devices

REFERENCE	PACKAGING OPTIONS	
ETM325P	1PCS	80PCS



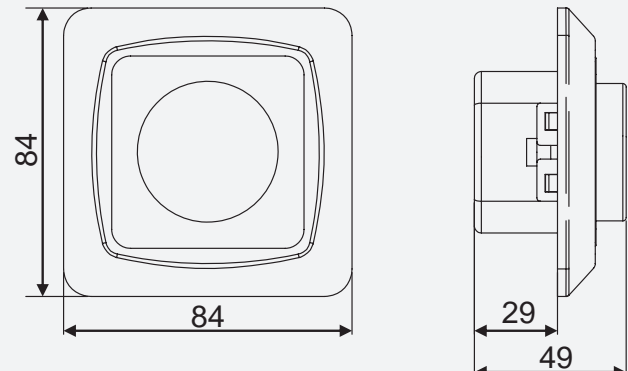
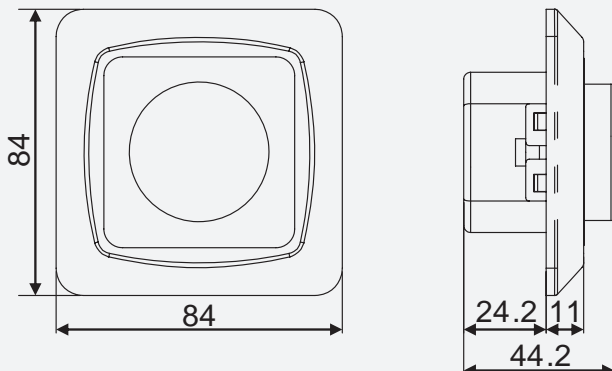
Digital dimmer with trailing/leading edge

ETM360P IP21 PC HALOGEN FREE

Colour: white RAL9003 (UV stable), black RAL9017
 Technical data: 230VAC 50Hz
 Certificates: CE, Intertek, EMC
 Conforms with: RoHS, WEEE, LVD, EMC, REACH
 Complies with the standards: EN 60669-2-1, EN 60669-1
 Fire hazard test: 850°C (IEC60695-2-11)
 Working temperature: -10°C to +35°C
 Load type (L,N): 230V incandescent lamp, 2-400W; 230V halogen lamps, 2-400W; 12V low-voltage halogen lamps with dimmable wound (conventional) transformer, 2-315VA; 12V low-voltage halogen lamps with electronic transformer, 2-315VA; dimmable LED lamp, 2-200VA; dimmable LED lamp, 2-40VA; LED filament, 2-200VA
 Load type (L): 230V incandescent lamp, 2-400W; 230V halogen lamps, 2-400W; 12V low-voltage halogen lamps with electronic transformer, 2-315VA; dimmable LED lamp, 2-200VA

REFERENCE	PACKAGING OPTIONS
ETM360P	1PCS

Technical drawings





Digital dimmer with trailing edge

ETM361P IP21 PC HALOGEN FREE

Colour: white RAL9003 (UV stable), black RAL9017
 Technical data: 230VAC 50Hz
 Certificates: CE, Intertek, EMC
 Conforms with: RoHS, WEEE, LVD, EMC, REACH
 Complies with the standards: EN 60669-2-1, EN 60669-1
 Fire hazard test: 850°C (IEC60695-2-11)
 Working temperature: -10°C to +35°C
 Neutral conductor: not required
 Load type: 230V incandescent lamp (ohmic load, code R), 2-400W; 230V halogen lamps (ohmic load, code R), 2-400W; 12V low-voltage halogen lamps with electronic transformer (capacitive load, code C, 2-315VA; dimmable LED lamp, 2-200VA)

REFERENCE	PACKAGING OPTIONS
ETM361P	1PCS



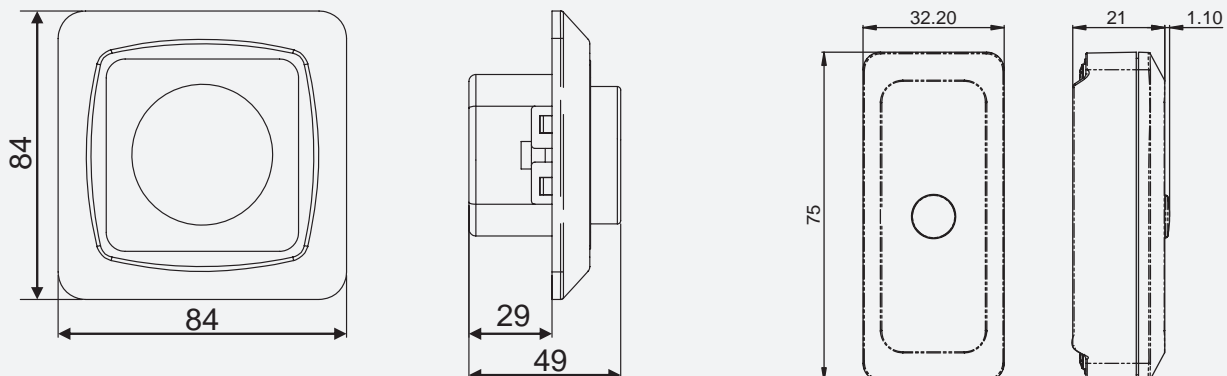
Rewirable dimmer

ETM320P IP20 PC HALOGEN FREE

Colour: white RAL9003 (UV stable), black RAL9016
 Rated Voltage: 230VAC~50Hz
 Certificates: CE
 Conforms with: RoHS, WEEE, LVD
 Complies with the standards: EN 60669-1
 Load Capacity:
 Incandescent and halogen lamps (R): 3-100W;
 Capacitive (electronic) transformer (C): 25-60VA;
 Inductive (conventional) transformer (L): 25-60VA;
 Dimmable LED (trailing edge): 3-60VA;
 Dimmable LED (leading edge): 3-20VA;
 Dimmable LED filament: 3-60VA
 Minimum Light Level: adjustable
 Control: push button
 Connection Terminals: screw connection 0.5-0.75 mm²

REFERENCE	PACKAGING OPTIONS
ETM320P	1PCS

Technical drawings



Surface-mounted switches and push buttons



Surface-mounted 1 pole/2way switch

ETM221P IP20 PC HALOGEN FREE

ETM221PQ

Colour: white RAL9003 (UV stable)
 Technical data: 16A 250VAC
 Frequency: 50Hz
 Certificates: Semko,CE
 Conforms with: RoHS, WEEE, LVD
 Complies with the standards: EN 60669-1
 Fire hazard test: 850°C (IEC60695-2-11)
 Working temperature: -25°C to +60°C;
 Installation temperature: -5°C to +25°C

Surface-mounted 1-pole / 2-way switch, Pattern No. 1/6, with wiring diagram on the rear. Thermoplastic rocker and cover plate (75×84mm), screw distance cc 38mm. Ample space for 2.5mm² cables. Base plate doubles as a install guide near door frames.

REFERENCE	DESCRIPTION
ETM221P	with screw terminals
ETM221PQ	with screwless terminals

Surface-mounted 2 pole switch

ETM222P IP20 PC HALOGEN FREE

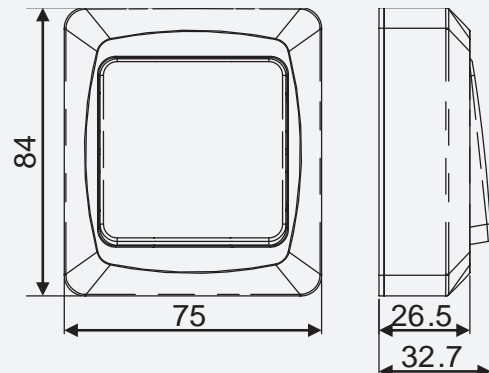
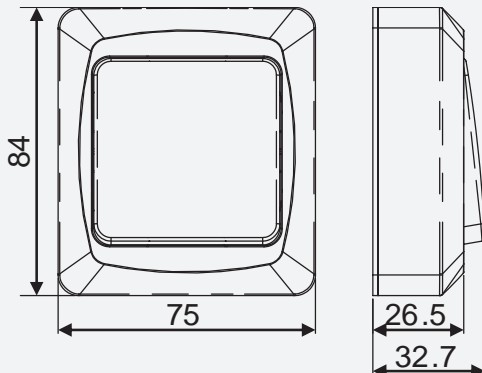
ETM222PQ

Colour: white RAL9003 (UV stable)
 Technical data: 16A 250VAC
 Frequency: 50Hz
 Certificates: Semko,CE
 Conforms with: RoHS, WEEE, LVD
 Complies with the standards: EN 60669-1
 Fire hazard test: 850°C (IEC60695-2-11)
 Working temperature: -25°C to +60°C;
 Installation temperature: -5°C to +25°C

Surface-mounted 2 pole switch, Pattern No. 2, with wiring diagram on the rear. Thermoplastic rocker and cover plate (75×84mm), screw distance cc 38mm. Ample space for 2.5mm² cables. Base plate doubles as a install guide near door frames.

REFERENCE	DESCRIPTION
ETM222P	with screw terminals
ETM222PQ	with screwless terminals

Technical drawings





Surface-mounted 1+2 pole switch

ETM223P IP20 PC HALOGEN FREE

ETM223PQ

Colour: white RAL9003 (UV stable)
 Technical data: 16A 250VAC
 Frequency: 50Hz
 Certificates: Semko, CE
 Conforms with: RoHS, WEEE, LVD
 Complies with the standards: EN 60669-1
 Fire hazard test: 850°C (IEC60695-2-11)
 Working temperature: -25°C to +60°C;
 Installation temperature: -5°C to +25°C

Surface-mounted 1+2 pole switch, Pattern No. 1+2, with wiring diagram on the rear. Thermoplastic rocker and cover plate (75×84mm), screw distance cc 38mm. Ample space for 2.5mm² cables. Base plate doubles as a install guide near door frames.

REFERENCE	DESCRIPTION
ETM223P	with screw terminals
ETM223PQ	with screwless terminals



Surface-mounted 1 pole/2way switch

ETM224P IP20 PC HALOGEN FREE

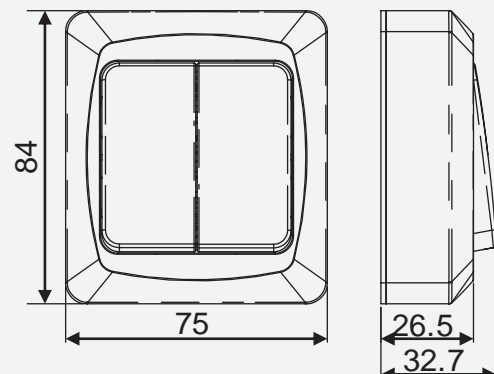
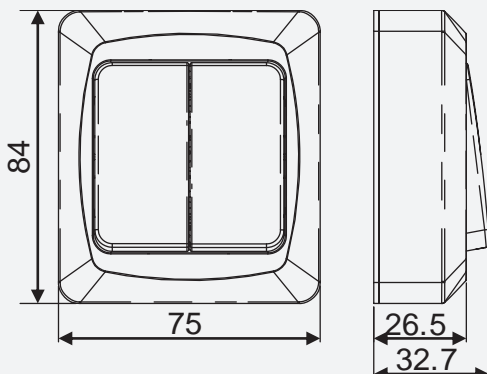
ETM224PQ

Colour: white RAL9003 (UV stable)
 Technical data: 16A 250VAC
 Frequency: 50Hz
 Certificates: Semko, CE
 Conforms with: RoHS, WEEE, LVD
 Complies with the standards: EN 60669-1
 Fire hazard test: 850°C (IEC60695-2-11)
 Working temperature: -25°C to +60°C;
 Installation temperature: -5°C to +25°C

Surface-mounted 1-pole/2-way switch, Pattern No. 5, with wiring diagram on the rear. Thermoplastic rocker and cover plate (75×84mm), screw distance cc 38mm. Ample space for 2.5mm² cables. Base plate doubles as a install guide near door frames.

REFERENCE	DESCRIPTION
ETM224P	with screw terminals
ETM224PQ	with screwless terminals

Technical drawings



Surface-mounted switches and push buttons



Surface-mounted reversing switch

ETM342P IP20 PC HALOGEN FREE

ETM342PQ

Colour: white RAL9003 (UV stable)
 Technical data: 16A 250VAC
 Frequency: 50Hz
 Certificates: Semko,CE
 Conforms with: RoHS, WEEE, LVD
 Complies with the standards: EN 60669-1
 Fire hazard test: 850°C (IEC60695-2-11)
 Working temperature: -25°C to +60°C;
 Installation temperature: -5°C to +25°C

Reversing switch, Pattern No. 7, with wiring diagram printed on the rear. Equipped flush wiring. Thermoplastic rocker and 75×84mm cover plate; screw distance cc 38mm. Provides ample space for 2.5mm² cables.

REFERENCE	DESCRIPTION
ETM342P	with screw terminals
ETM342PQ	with screwless terminals

Surface-mounted 1+1 pole/2way switch

ETM341P IP20 PC HALOGEN FREE

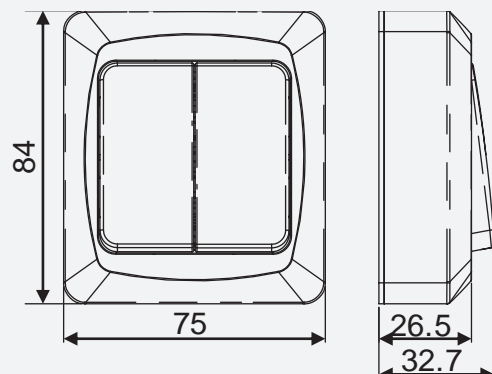
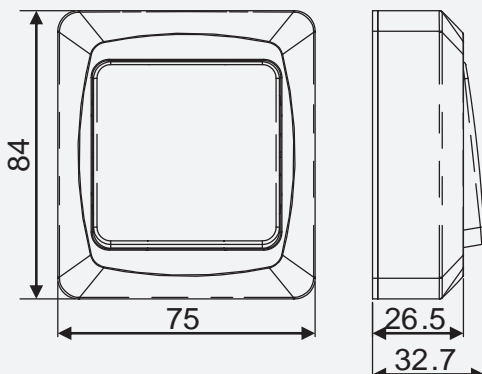
ETM341PQ

Colour: white RAL9003 (UV stable)
 Technical data: 16A 250VAC
 Frequency: 50Hz
 Certificates: Semko,CE
 Conforms with: RoHS, WEEE, LVD
 Complies with the standards: EN 60669-1
 Fire hazard test: 850°C (IEC60695-2-11)
 Working temperature: -25°C to +60°C;
 Installation temperature: -5°C to +25°C

1+1 pole/2-way switch, Pattern No. 6+6, with wiring diagram printed on the back. Features dual rockers with thermoplastic cover, flush design, and 55×55mm central plate. Fits wall boxes with 60mm cc screw spacing and 84mm cc cover plate spacing.

REFERENCE	DESCRIPTION
ETM341P	with screw terminals
ETM341PQ	with screwless terminals

Technical drawings





Surface-mounted 1 pole/2way push button

ETM221PP IP20 PC HALOGEN FREE

ETM221PQP

Colour: white RAL9003 (UV stable)
 Technical data: 16A 250VAC
 Frequency: 50Hz
 Certificates: Semko, CE
 Conforms with: RoHS, WEEE, LVD
 Complies with the standards: EN 60669-1
 Fire hazard test: 850°C (IEC60695-2-11)
 Working temperature: -25°C to +60°C;
 Installation temperature: -5°C to +25°C

Surface-mounted 1-pole/2-way push button, Pattern No. 1/6, with wiring diagram on the rear. Features flush wiring. Thermoplastic rocker and 75×84mm cover plate; screw distance cc 38mm. Room for 2.5mm² cables under the cover.

REFERENCE	DESCRIPTION
ETM221PP	with screw terminals
ETM221PQP	with screwless terminals

Surface-mounted 2 pole push button

ETM222PP IP20 PC HALOGEN FREE

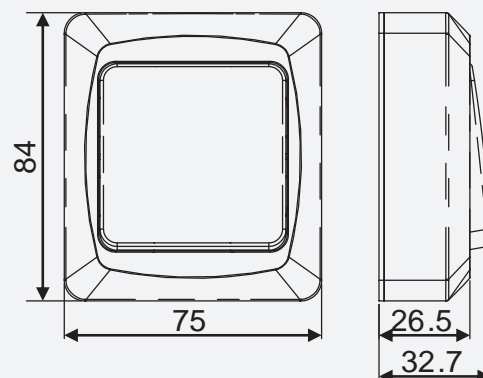
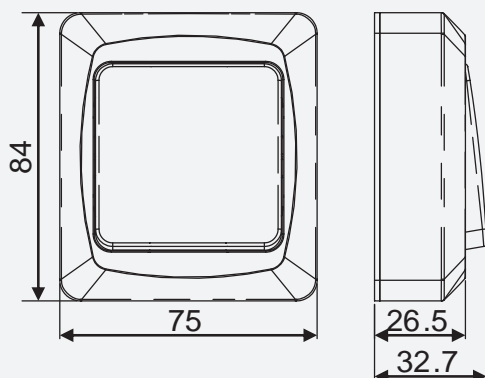
ETM222PQP

Colour: white RAL9003 (UV stable)
 Technical data: 16A 250VAC
 Frequency: 50Hz
 Certificates: Semko, CE
 Conforms with: RoHS, WEEE, LVD
 Complies with the standards: EN 60669-1
 Fire hazard test: 850°C (IEC60695-2-11)
 Working temperature: -25°C to +60°C;
 Installation temperature: -5°C to +25°C

Surface-mounted 2-pole push button switch, Pattern No. 2 (wiring diagram printed on the back). Features flush wiring, and thermoplastic rocker with a 75×84mm cover plate. Screw distance cc 38mm. Provides space for 2.5mm² cables.

REFERENCE	DESCRIPTION
ETM222PP	with screw terminals
ETM222PQP	with screwless terminals

Technical drawings



Surface-mounted switches and push buttons



Surface-mounted 1+2 pole push button

ETM223PP IP20 PC HALOGEN FREE
ETM223PQP

Colour: white RAL9003 (UV stable)
 Technical data: 16A 250VAC
 Frequency: 50Hz
 Certificates: Semko,CE
 Conforms with: RoHS, WEEE, LVD
 Complies with the standards: EN 60669-1
 Fire hazard test: 850°C (IEC60695-2-11)
 Working temperature: -25°C to +60°C;
 Installation temperature: -5°C to +25°C

1+2-pole push button switch, Pattern No. 1+2, with wiring diagram printed on the rear. Equipped with flush wiring. Thermoplastic rocker and 75×84mm cover plate; screw distance cc 38mm. Ample space for 2.5mm² cables.

REFERENCE	DESCRIPTION
ETM223PP	with screw terminals
ETM223PQP	with screwless terminals

Surface-mounted 1 pole/2way push button

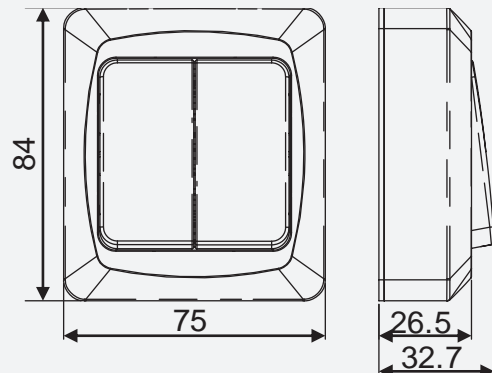
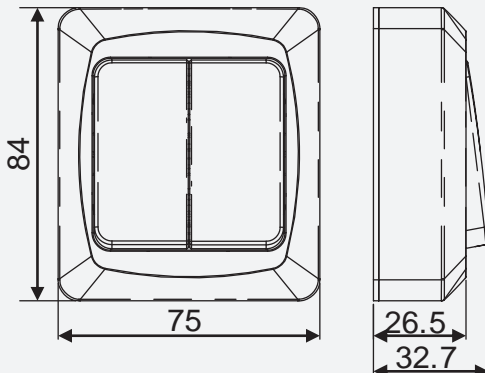
ETM224PP IP20 PC HALOGEN FREE
ETM224PQP

Colour: white RAL9003 (UV stable)
 Technical data: 16A 250VAC
 Frequency: 50Hz
 Certificates: Semko,CE
 Conforms with: RoHS, WEEE, LVD
 Complies with the standards: EN 60669-1
 Fire hazard test: 850°C (IEC60695-2-11)
 Working temperature: -25°C to +60°C;
 Installation temperature: -5°C to +25°C

1-pole/2-way push button, Pattern No. 5, with wiring diagram printed on the back. Equipped with flush wiring. Thermoplastic rocker and 75×84mm cover plate; screw distance cc 38mm. Ample space for 2.5mm² cables.

REFERENCE	DESCRIPTION
ETM224PP	with screw terminals
ETM224PQP	with screwless terminals

Technical drawings





Surface-mounted 1 pole doorbell push button with printed marking

ETM344PP IP20 PC HALOGEN FREE

ETM344PQP

Colour: white RAL9003 (UV stable)
 Technical data: 16A 250VAC
 Frequency: 50Hz
 Certificates: Semko, CE
 Conforms with: RoHS, WEEE, LVD
 Complies with the standards: EN 60669-1
 Fire hazard test: 850°C (IEC60695-2-11)
 Working temperature: -25°C to +60°C;
 Installation temperature: -5°C to +25°C

1-pole doorbell push button, Pattern No. 1, with wiring diagram printed on the back. Equipped with flush wiring. Thermoplastic rocker and 75×84mm cover plate; screw distance cc 38mm. Ample space for 2.5mm² cables.

REFERENCE	DESCRIPTION
ETM344PP	with screw terminals
ETM344PQP	with screwless terminals

Surface-mounted 1 pole shutter push button

ETM345P IP20 PC HALOGEN FREE

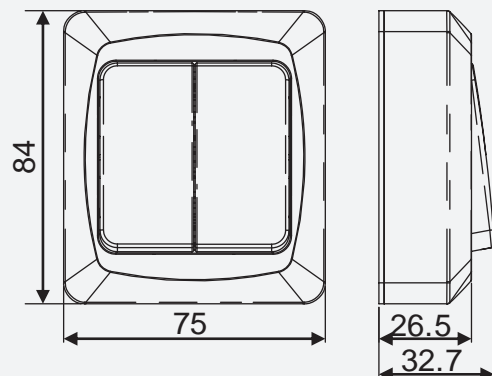
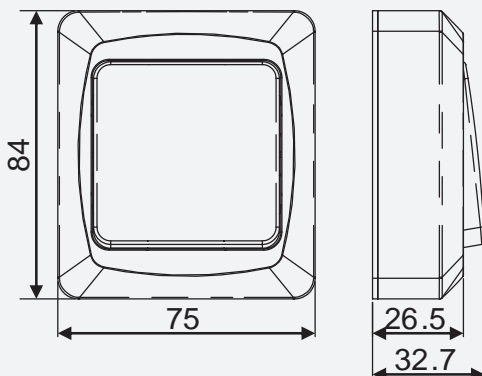
ETM345PQ

Colour: white RAL9003 (UV stable)
 Technical data: 16A 250VAC
 Frequency: 50Hz
 Certificates: Semko, CE
 Conforms with: RoHS, WEEE, LVD
 Complies with the standards: EN 60669-1
 Fire hazard test: 850°C (IEC60695-2-11)
 Working temperature: -25°C to +60°C;
 Installation temperature: -5°C to +25°C

Surface-mounted shutter push button switch with wiring diagram printed on the rear. Features flush wiring, and a thermoplastic rocker with a 75×84mm cover plate. Screw distance cc 38 mm. Provides ample space for 2.5mm² cables.

REFERENCE	DESCRIPTION
ETM345P	with screw terminals
ETM345PQ	with screwless terminals

Technical drawings



Surface-mounted switches and push buttons



Surface-mounted switches with indication lamp, screwless terminals

ETM221PQL IP20 PC HALOGEN FREE
ETM222PQL

Colour: white RAL9003 (UV stable)
 Technical data: 16A 250VAC
 Frequency: 50Hz
 Certificates: Semko, CE
 Conforms with: RoHS, WEEE, LVD
 Complies with the standards: EN 60669-1
 Fire hazard test: 850°C (IEC60695-2-11)
 Working temperature: -25°C to +60°C;
 Installation temperature: -5°C to +25°C

Switches with wiring diagram printed on the rear. Equipped with flush wiring. Thermoplastic rocker and 75×84mm cover plate; screw distance cc 38mm. Ample space for 2.5mm² cables.

Surface-mounted push buttons with indication lamp, screwless terminals

ETM221PQLP IP20 PC HALOGEN FREE
ETM222PQLP

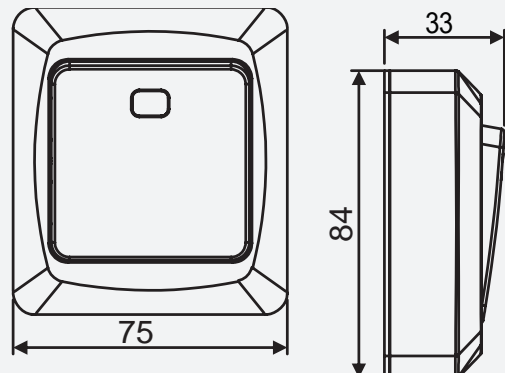
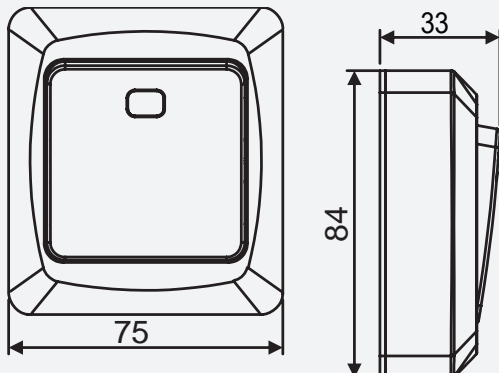
Colour: white RAL9003 (UV stable)
 Technical data: 16A 250VAC
 Frequency: 50Hz
 Certificates: Semko, CE
 Conforms with: RoHS, WEEE, LVD
 Complies with the standards: EN 60669-1
 Fire hazard test: 850°C (IEC60695-2-11)
 Working temperature: -25°C to +60°C;
 Installation temperature: -5°C to +25°C

Push buttons with wiring diagram printed on the back. Equipped with flush wiring. Thermoplastic rocker and 75×84mm cover plate; screw distance cc 38mm. Ample space for 2.5mm² cables.

REFERENCE	DESCRIPTION
ETM221PQL	1 pole / 2-way switch, pattern No. 1/6
ETM222PQL	2 pole switch, pattern No. 2

REFERENCE	DESCRIPTION
ETM221PQLP	1 pole / 2-way push button, pattern No. 1/6
ETM222PQLP	2 pole push button, pattern No. 2

Technical drawings





Surface-mounted 3 gang switch with screwless terminals

ETM343PQ **IP20** **PC** **HALOGEN FREE**

Colour: white RAL9003 (UV stable)
 Technical data: 16A 250VAC
 Frequency: 50Hz
 Certificates: Semko, CE
 Conforms with: RoHS, WEEE, LVD
 Complies with the standards: EN 60669-1
 Fire hazard test: 850°C (IEC60695-2-11)
 Working temperature: -25°C to +60°C;
 Installation temperature: -5°C to +25°C

3-gang switch, Pattern No. 1+1+1, with wiring diagram printed on the rear. Equipped with flush wiring. Thermoplastic rockers and 75×84mm cover plate; screw distance cc 38mm. Ample space for 2.5mm² cables.

REFERENCE	DESCRIPTION
ETM343PQ	with screw terminals

Surface-mounted 2 pole switch, IP44

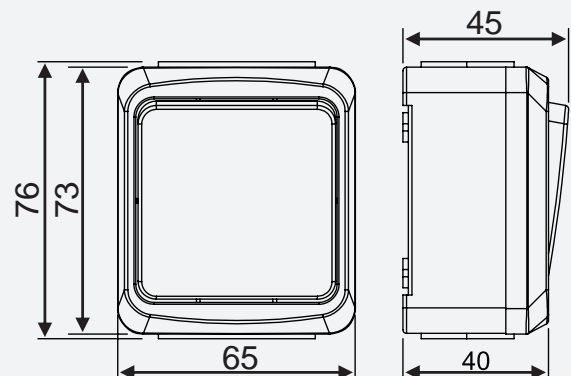
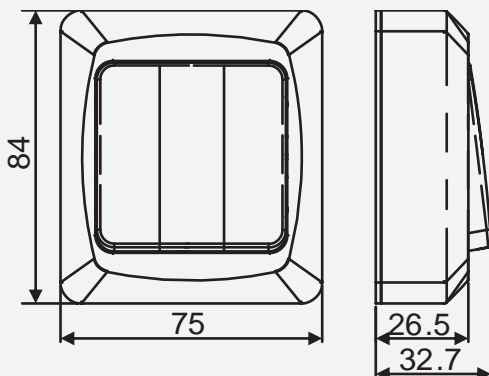
ETM280P **IP44** **PC** **HALOGEN FREE**

ETM280PQ
 Colour: white RAL9003 (UV stable)
 Technical data: 16A 250VAC
 Frequency: 50Hz
 Certificates: Semko, CE
 Conforms with: RoHS, WEEE, LVD
 Complies with the standards: EN 60669-1
 Fire hazard test: 94V-0
 Working temperature: -25°C to +60°C;
 Installation temperature: -5°C to +25°C

2-pole switch, Pattern No. 2, IP44-rated. Includes knock-out drainage hole at the bottom for condensation release. Flush wiring, thermoplastic rocker and cover plate. Optional connecting piece (ETM668S) and strain relief available separately.

REFERENCE	DESCRIPTION
ETM280P	with screw terminals
ETM280PQ	with screwless terminals

Technical drawings



Surface-mounted switches and push buttons



Surface-mounted 1 pole/2way switch, IP44

ETM282P IP44 PC HALOGEN FREE

ETM282PQ

Colour: white RAL9003 (UV stable)
 Technical data: 16A 250VAC
 Frequency: 50Hz
 Certificates: Semko,CE
 Conforms with: RoHS, WEEE, LVD
 Complies with the standards: EN 60669-1
 Fire hazard test: 94V-0
 Working temperature: -25°C to +60°C;
 Installation temperature: -5°C to +25°C

IP44 surface-mounted 1-pole/2-way switch, Pattern No. 1/6. Corrosion-resistant with knock-out drainage hole. Screw terminals, flush wiring, thermoplastic rocker. Rear wiring diagram. Optional connecting piece (ETM668S) and strain relief available.

REFERENCE	DESCRIPTION
ETM282P	with screw terminals
ETM282PQ	with screwless terminals



Surface-mounted 1 pole and 2way switch, IP44

ETM284P IP44 PC HALOGEN FREE

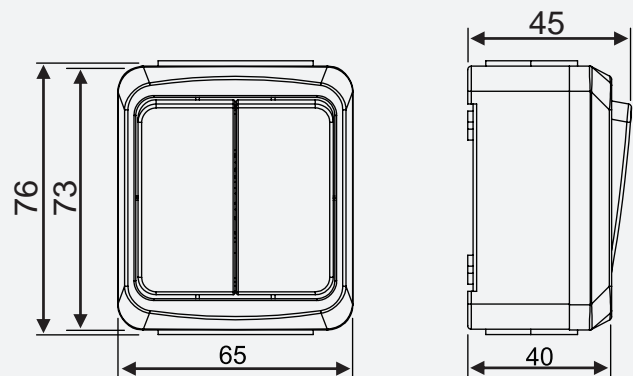
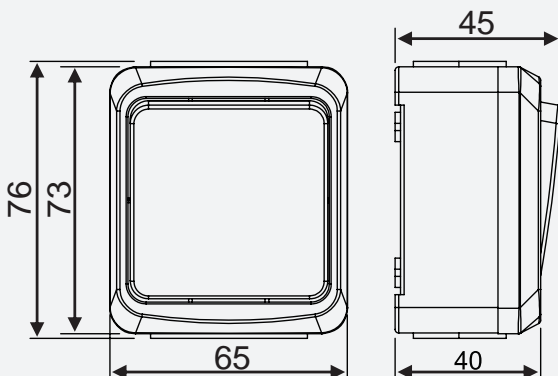
ETM284PQ

Colour: white RAL9003 (UV stable)
 Technical data: 16A 250VAC
 Frequency: 50Hz
 Certificates: Semko,CE
 Conforms with: RoHS, WEEE, LVD
 Complies with the standards: EN 60669-1
 Fire hazard test: 94V-0
 Working temperature: -25°C to +60°C;
 Installation temperature: -5°C to +25°C

IP44 surface-mounted 1-pole and 2-way switch, Pattern No. 5. Corrosion-protected with knock-out drainage hole. Flush wiring, thermoplastic cover. Rear wiring diagram. Optional connecting piece (ETM668S) and strain relief available.

REFERENCE	DESCRIPTION
ETM284P	with screw terminals
ETM284PQ	with screwless terminals

Technical drawings





Surface-mounted 2x2 pole switch, IP44

ETM281P

IP44

PC

HALOGEN FREE

ETM281PQ

Colour: white RAL9003 (UV stable)
 Technical data: 16A 250VAC
 Frequency: 50Hz
 Certificates: Semko, CE
 Conforms with: RoHS, WEEE, LVD
 Complies with the standards: EN 60669-1
 Fire hazard test: 94V-0
 Working temperature: -25°C to +60°C;
 Installation temperature: -5°C to +25°C

IP44 surface-mounted 2x2-pole switch, Pattern No. 2. Designed for corrosion resistance with knock-out drainage hole for condensation. Features flush wiring, thermoplastic rocker and cover. Wiring diagram on rear.

REFERENCE	DESCRIPTION
ETM281P	with screw terminals
ETM281PQ	with screwless terminals



Surface-mounted 2 pole switch with indication lamp, IP44

ETM280PQL

IP44

PC

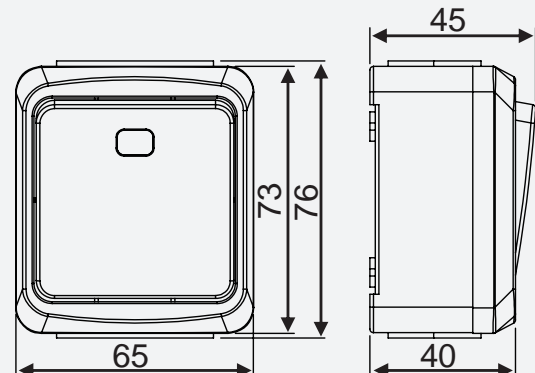
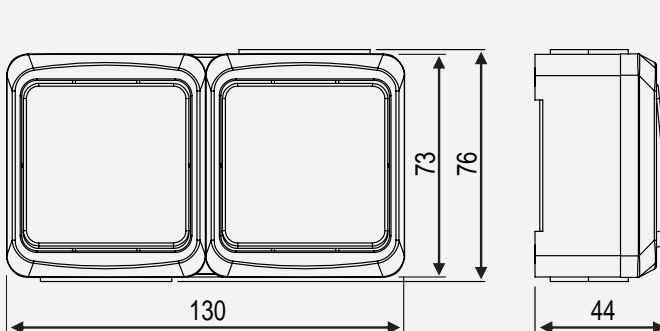
HALOGEN FREE

Colour: white RAL9003 (UV stable)
 Technical data: 16A 250VAC
 Frequency: 50Hz
 Certificates: Semko, CE
 Conforms with: RoHS, WEEE, LVD
 Complies with the standards: EN 60669-1
 Fire hazard test: 94V-0
 Working temperature: -25°C to +60°C;
 Installation temperature: -5°C to +25°C

IP44 surface-mounted 2-pole switch with indication lamp, Pattern No. 2. Corrosion-resistant design with knock-out drainage hole. Features screwless terminals, flush wiring, thermoplastic rocker and cover. Wiring diagram on rear.

REFERENCE	PACKAGING	
ETM280PQL	1PCS	160PCS

Technical drawings



Surface-mounted switches and push buttons



Surface-mounted 1 pole/2way switch with indication lamp, IP44

ETM282PQL **IP44** **PC** **HALOGEN FREE**

Colour: white RAL9003 (UV stable)
 Technical data: 16A 250VAC
 Frequency: 50Hz
 Certificates: Semko,CE
 Conforms with: RoHS, WEEE, LVD
 Complies with the standards: EN 60669-1
 Fire hazard test: 94V-0
 Working temperature: -25°C to +60°C;
 Installation temperature: -5°C to +25°C

IP44 surface-mounted 1-pole/2-way switch with indication lamp, Pattern No. 1/6. Corrosion-resistant design with knock-out drainage hole. Features screwless terminals, flush wiring, thermoplastic rocker and cover. Wiring diagram on rear.

REFERENCE	PACKAGING	
ETM282PQL	1PCS	140PCS



Surface-mounted 1 pole/2way push button with indication lamp, IP44

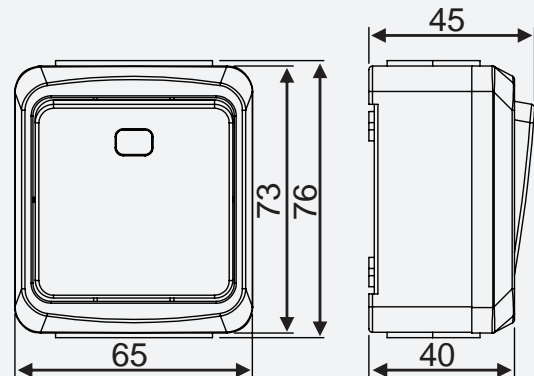
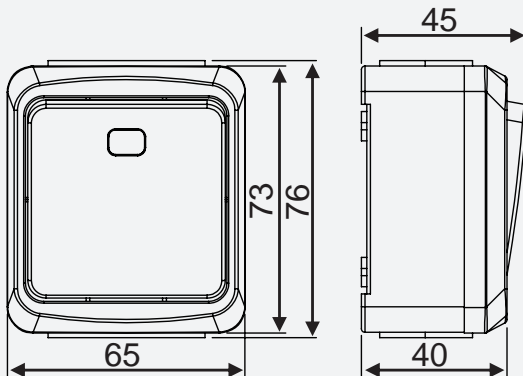
ETM282PQLP **IP44** **PC** **HALOGEN FREE**

Colour: white RAL9003 (UV stable)
 Technical data: 16A 250VAC
 Frequency: 50Hz
 Certificates: Semko,CE
 Conforms with: RoHS, WEEE, LVD
 Complies with the standards: EN 60669-1
 Fire hazard test: 94V-0
 Working temperature: -25°C to +60°C;
 Installation temperature: -5°C to +25°C

IP44 surface-mounted 1-pole/2-way push button with indication lamp, Pattern No. 1/6. Corrosion-resistant design with knock-out drainage hole. Features screwless terminals, flush wiring, thermoplastic rocker and cover. Wiring diagram on rear.

REFERENCE	PACKAGING	
ETM282PQLP	1PCS	160PCS

Technical drawings





Surface-mounted 2 pole turn switch, IP54

ETM410S IP54 PC HALOGEN FREE

ETM410SQ

Colour: white RAL9003 (UV stable)
 Technical data: 16A 250VAC
 Frequency: 50Hz
 Certificates: Semko, CE
 Conforms with: RoHS, WEEE, LVD
 Complies with the standards: EN 60669-1
 Fire hazard test: 94V-0
 Working temperature: -25°C to +60°C;
 Installation temperature: -5°C to +25°C

IP54 surface-mounted 2-pole turn switch, 16A, Pattern No. 2. Available with screw or screwless terminals. Corrosion-resistant with knock-out drainage hole. Thermoplastic rocker and cover, flush wiring, rear-side wiring diagram.

REFERENCE	DESCRIPTION
ETM410S	with screw terminals
ETM410SQ	with screwless terminals



Surface-mounted 2 pole lockable turn switch, IP54

ETM410SL IP54 PC HALOGEN FREE

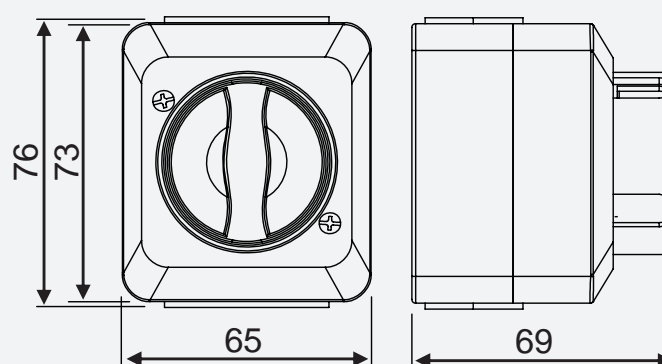
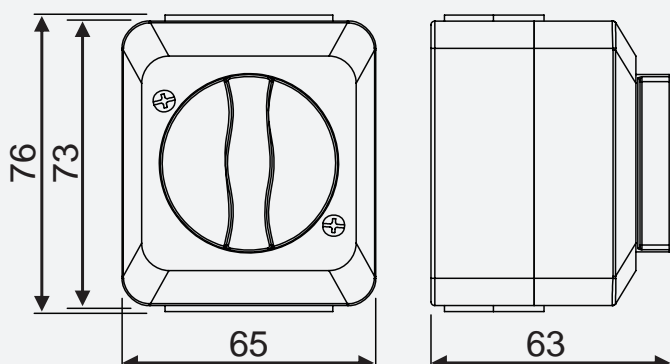
ETM410SQL

Colour: white RAL9003 (UV stable)
 Technical data: 16A 250VAC
 Frequency: 50Hz
 Certificates: Semko, CE
 Conforms with: RoHS, WEEE, LVD
 Complies with the standards: EN 60669-1
 Fire hazard test: 94V-0
 Working temperature: -25°C to +60°C;
 Installation temperature: -5°C to +25°C

IP54 surface-mounted 2-pole lockable turn switch, 16A, Pattern No. 2. Available with screw or screwless terminals. Corrosion-resistant with knock-out drainage hole. Thermoplastic rocker and cover, flush wiring, rear-side wiring diagram.

REFERENCE	DESCRIPTION
ETM410SL	with screw terminals
ETM410SQL	with screwless terminals

Technical drawings



Perilex, stove plugs and sockets



Surface-mounted stove socket

ETM230S IP20 PC HALOGEN FREE

Colour: white RAL9003 (UV stable)
 Technical data: 25A 250VAC
 Frequency: 50Hz
 Certificates: Semko
 Conforms with: RoHS, WEEE
 Complies with the standards: IEC 60884-1, CEE7X
 Fire hazard test: 850°C (IEC60695-2-11)
 Working temperature: -25°C to +60°C;
 Installation temperature: -5°C to +25°C

Stove socket, Norwegian standard with 3 flat-pin system (2P+E). Surface-mounted type with thermoplastic cover and screw terminals. Flush wiring. Screw distance 66.7×37mm, cover plate 90×91mm. Also fits wall boxes with 60mm cc screw spacing.

REFERENCE	PACKAGING OPTIONS	
ETM230S	1PCS	100PCS

Rewirable stove plug

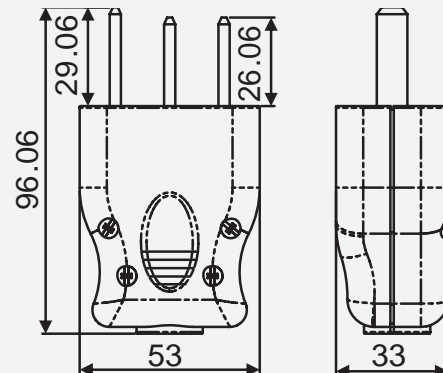
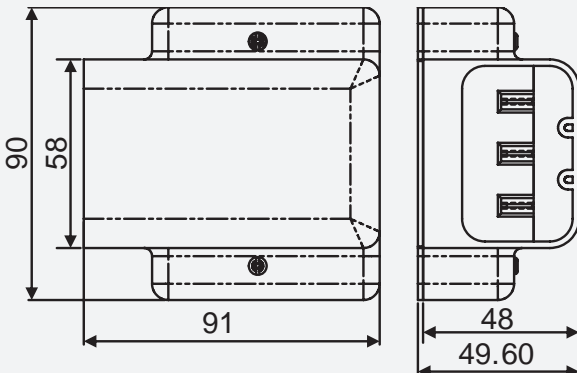
ETM229P IP20 PC HALOGEN FREE

Colour: white RAL9003 (UV stable)
 Technical data: 25A 250VAC
 Frequency: 50Hz
 Certificates: Semko
 Conforms with: RoHS, WEEE
 Complies with the standards: IEC 60884-1, CEE7XI
 Fire hazard test: 850°C (IEC60695-2-11)
 Working temperature: -25°C to +60°C;
 Installation temperature: -5°C to +25°C

Stove plug, Norwegian standard (2P+E) with screw-type terminals and straight cable entry. Designed for reliable connection to 3 flat-pin stove sockets like ETM230S.

REFERENCE	PACKAGING OPTIONS	
ETM229P	1PCS	250PCS

Technical drawings





Surface-mounted Perilex socket

ETM422P

IP20

PC

HALOGEN FREE

Colour: white RAL9003 (UV stable)
 Technical data: 16A 230/400VAC
 Frequency: 50Hz
 Certificates: Semko
 Conforms with: RoHS, WEEE
 Complies with the standards: EN 60884-1, DIN 49445 forms A2
 Fire hazard test: 850°C (IEC60695-2-11)
 Working temperature: -25°C to +60°C;
 Installation temperature: -5°C to +25°C

Surface-mounted Perilex socket with PE, N, and L1-L3 conductors. Thermoplastic cover, Pozidriv screw terminals for flush wiring (1.5–2.5mm²). Screw distance 49mm, cover plate 92×92mm. Reliable for three-phase connections.

REFERENCE	PACKAGING OPTIONS	
ETM422P	1PCS	75PCS



Flush-mounted Perilex socket

ETM420P

IP20

PC

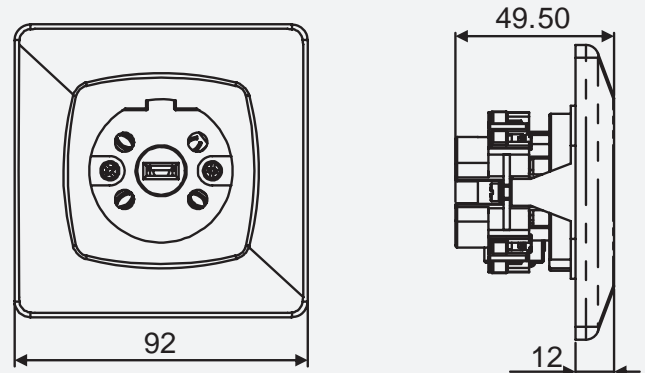
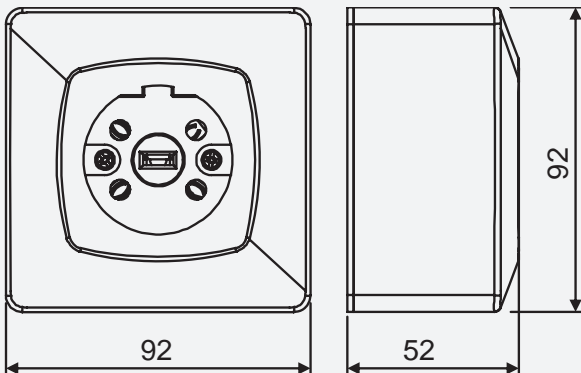
HALOGEN FREE

Colour: white RAL9003 (UV stable)
 Technical data: 16A 230/400VAC
 Frequency: 50Hz
 Certificates: Semko
 Conforms with: RoHS, WEEE
 Complies with the standards: EN 60884-1, DIN 49445 forms A2
 Fire hazard test: 850°C (IEC60695-2-11)
 Working temperature: -25°C to +60°C;
 Installation temperature: -5°C to +25°C

Flush-mounted Perilex socket with thermoplastic cover and Pozidriv screw terminals. Designed for flush wiring (1.5–2.5mm²) and fits standard flush junction boxes with 67mm cc screw spacing. Ideal for three-phase installations.

REFERENCE	PACKAGING OPTIONS	
ETM420P	1PCS	110PCS

Technical drawings



Perilex, stove plugs and sockets



Rewirable Perilex plug, side entry

ETM421S IP20 PC HALOGEN FREE

Colour: white RAL9003 (UV stable)
 Technical data: 16A 230/400VAC
 Frequency: 50Hz
 Certificates: Semko
 Conforms with: RoHS, WEEE
 Complies with the standards: EN 60884-1, DIN 49446
 Fire hazard test: 850°C (IEC60695-2-11)
 Working temperature: -25°C to +60°C;
 Installation temperature: -5°C to +25°C

Rewirable Perilex plug with side cable entry and pillar-type terminals. Suitable for all wire types with a connectable area of 1.5–2.5 mm². Designed for secure, reliable connections in three-phase applications. Durable and easy to wire.

REFERENCE	PACKAGING OPTIONS	
ETM421S	1PCS	50PCS



Rewirable Perilex plug, straight entry

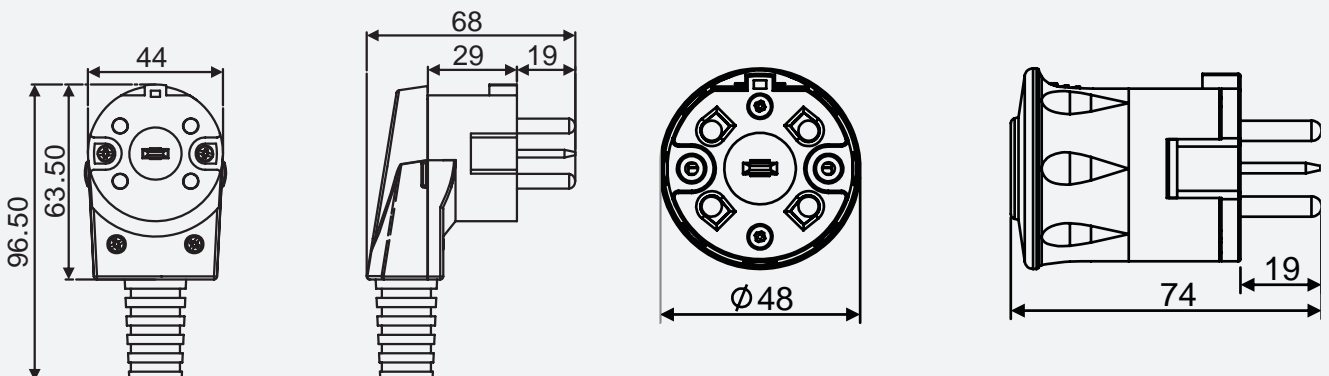
ETM423S IP20 PC HALOGEN FREE

Colour: white RAL9003 (UV stable)
 Technical data: 16A 230/400VAC
 Frequency: 50Hz
 Certificates: Semko
 Conforms with: RoHS, WEEE
 Complies with the standards: EN 60884-1, DIN 49446
 Fire hazard test: 850°C (IEC60695-2-11)
 Working temperature: -25°C to +60°C;
 Installation temperature: -5°C to +25°C

Rewirable Perilex plug with straight cable entry and pillar-type terminals. Suitable for all wire types with a connectable area of 1.5–2.5 mm². Designed for secure, reliable connections in three-phase applications. Durable and easy to wire.

REFERENCE	PACKAGING OPTIONS
ETM423S	1PCS

Technical drawings





Rewirable Perilex plug with H05VV-F4G1.5mm²

ETM248S

IP20

PC

HALOGEN FREE

Colour: white RAL9003 (UV stable)
 Technical data: 16A 230/400VAC
 Frequency: 50Hz
 Certificates: Semko
 Conforms with: RoHS, WEEE
 Complies with the standards: EN 60884-1, DIN 49446
 Fire hazard test: 850°C (IEC60695-2-11)
 Working temperature: -25°C to +60°C;
 Installation temperature: -5°C to +25°C

Molded Perilex plug with cable, 3P+E configuration. Fitted with H05VV-F 4G1.5 mm² cable for safe and flexible power connection. Ideal for fixed three-phase applications.

REFERENCE	PACKAGING OPTIONS
ETM248S	1PCS



Oven and stove outlet combination

ETM424P

IP20

PC

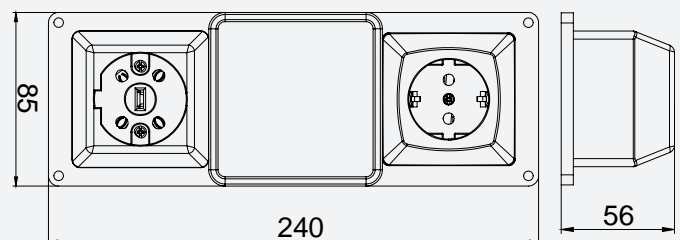
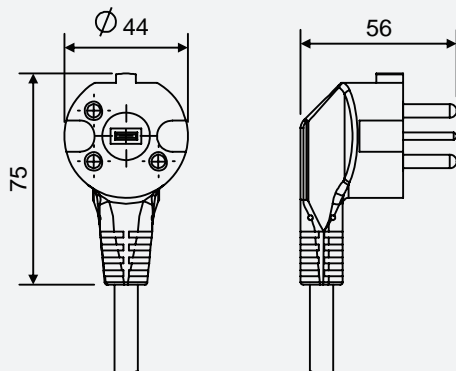
HALOGEN FREE

Colour: white RAL9003 (UV stable)
 Technical data: 16A 230/400VAC
 Frequency: 50Hz
 Certificates: Semko
 Conforms with: RoHS, WEEE
 Complies with the standards: EN 60884-1,
 Fire hazard test: 850°C (IEC60695-2-11)
 Working temperature: -25°C to +60°C;
 Installation temperature: -5°C to +25°C

It includes a 16A 250V~ Schuko socket, a junction box, and a 16A 400/230V~ Perilex socket, all prewired for convenience. The internal wiring uses H07V-R 2.5 mm² cables with brown (L1), black (L2), grey (L3), blue (N), and yellow/green (E).

REFERENCE	PACKAGING OPTIONS	
ETM424P	1PCS	20PCS

Technical drawings



Other products



230V doorbell

ETM630P

IP20

PC

HALOGEN FREE

Colour: white RAL9003 (UV stable), black RAL9016
 Technical info: 230VAC
 Frequency: 50Hz
 Certificates: CE, Intertek
 Conforms with: RoHS, WEEE, EMC, Reach, LVD
 Complies with the standards: EN 62368-1
 Fire hazard test: 850°C (IEC60695-2-11)
 Working temperature: 0°C to +35°C
 Volume: 3, max about 80dB(A)/1m

Doorbell with three volume levels. Fits standard wall boxes and can be mounted individually or within a switch frame. For surface mounting, use the Series P wall frame (see accessories).

REFERENCE	PACKAGING OPTIONS	
ETM630P	1PCS	80PCS



8-24V doorbell

ETM638P

IP20

PC

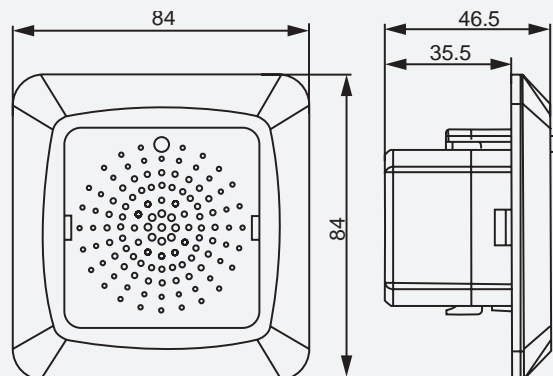
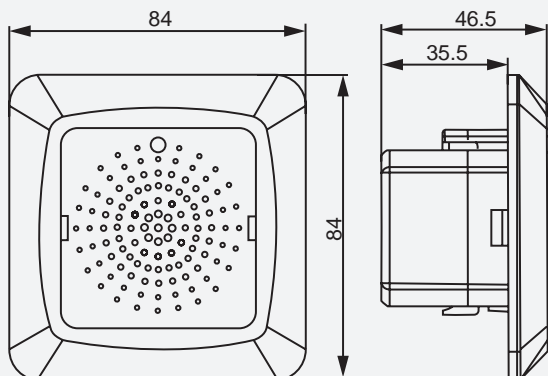
HALOGEN FREE

Colour: white RAL9003 (UV stable), black RAL9016
 Frequency: 50Hz
 Conforms with: RoHS, WEEE, EMC, Reach
 Complies with the standards: EN 62368-1
 Fire hazard test: 850°C (IEC60695-2-11)
 Working temperature: 0°C to +35°C
 Volume: 80 decibels
 Rated voltage: from 8V to 24V

Doorbell with three selectable ringing sounds and three volume levels. Fits standard wall boxes and can be mounted individually or within a switch frame. For surface mounting, use the Series P wall frame (see accessories). Screw terminals for 1.5–2.5 mm² cables.

REFERENCE	PACKAGING OPTIONS	
ETM638P	1PCS	80PCS

Technical drawings





Thermostat without display

ETM510P **IP2** **PC** **HALOGEN FREE**

Colour: white RAL9003 (UV stable), black RAL9016
 Technical data: 16A 230VAC
 Frequency: 50Hz
 Certificates: Semko
 Conforms with: RoHS, WEEE, LVD, Reach, EMC
 Complies with the standards: EN 60730-1, EN 60730-2-9
 Fire hazard test: 850°C (IEC60695-2-11)
 Working temperature: 0°C to +35°C;
 Resistive load: 16A 250VAC (AC1)

Analog thermostat without display, equipped with floor sensor, internal sensor, and max temperature limitation (27°C). Can function as an output regulator and includes a night reduction mode that lowers the temperature by 5°C for 7 hours daily. Night mode activates by holding the button for 3 seconds.

REFERENCE	PACKAGING OPTIONS	
ETM510P	1PCS	80PCS



Electronic time switch

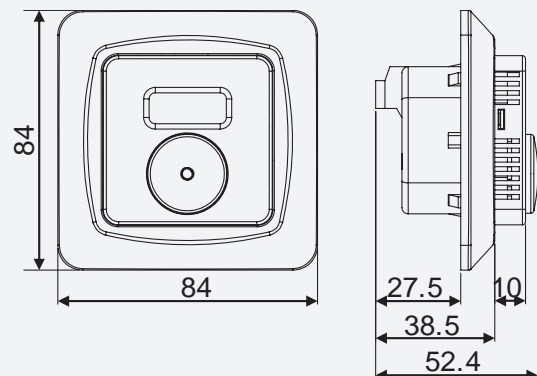
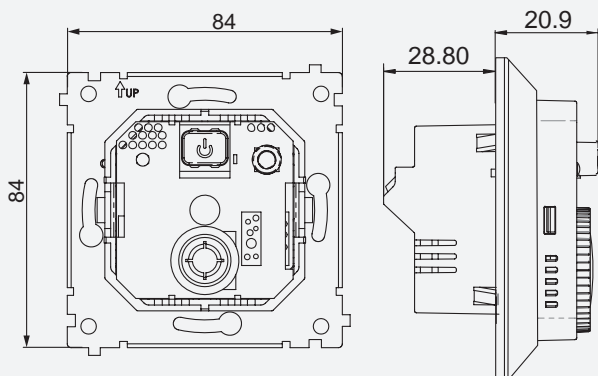
ETM620P **IP20** **PC** **HALOGEN FREE**

Colour: white RAL9003 (UV stable), black RAL9016
 Technical data: 10A 250VAC 50/60Hz
 Certificates: Semko, CE
 Conforms with: RoHS, WEEE, LVD, EMC, Reach, Ecodesign
 Complies with the standards: EN 60730-1, EN 60730-2-7
 Fire hazard test: 850°C (IEC60695-2-11)
 Effect: resistive (R) 2500W cos Φ =1; inductive (L) 360VA/360W x cos Φ ; capacitive (C) 250VA/260W x cos Φ
 Power consumption: <0.5W

Electronic time switch for 2-pole switching of electrical appliances, ensuring automatic shut-off after a selected time for added safety. Set the switch-off time using the rotary selector. Fits standard 60 mm wall boxes with a 61×61 mm thermoplastic plate. Built-in protection. Surface mounting options available.

REFERENCE	PACKAGING OPTIONS	
ETM620P	1PCS	8PCS

Technical drawings



Other products



1-way socket with time switch

ETM207PT IP20 PC HALOGEN FREE

Colour: white RAL9003 (UV stable), black RAL9016
 Technical data: 16A 230VAC
 Frequency: 50Hz
 Certificates: Intertek, CE
 Conforms with: RoHS, WEEE, LVD, EMC, Reach
 Complies with the standards: EN 60730-1, EN 60730-2-7
 Working temperature: 0°C to +55°C;
 Installation temperature: -5°C to +25°C

Flush-mounted single socket with integrated timer, ideal for devices like coffee makers. Easy ON/OFF control with memory of last setting. Timer options range from 5 minutes to 8 hours, with manual override. Features two-pole break for added safety. Surface mounting possible with optional wall cover.

REFERENCE	PACKAGING OPTIONS	
ETM207PT	1PCS	80PCS



Hotel card reader 1 pole / 2-way

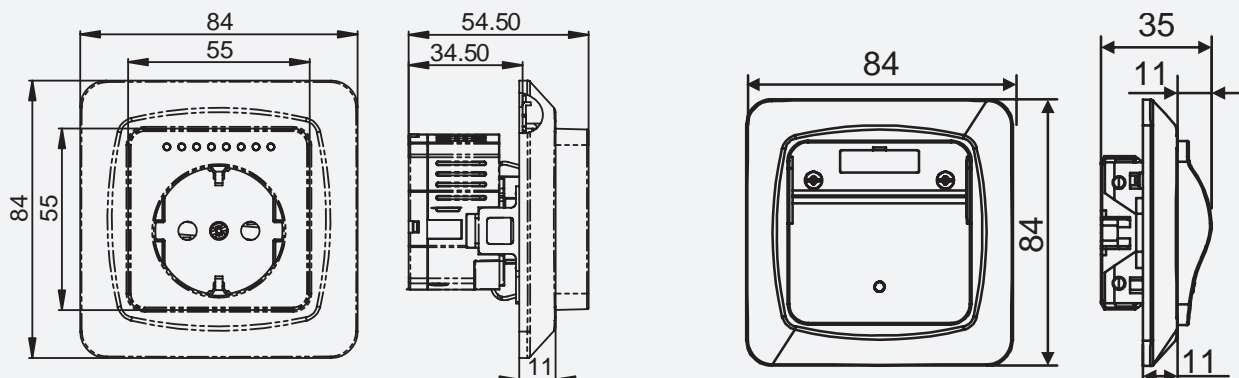
ETM356P IP20 PC HALOGEN FREE
 ETM356PQ

Colour: white RAL9003 (UV stable), black RAL9016
 Technical data: 16A 250VAC
 Frequency: 50Hz
 Certificates: Semko, CE
 Conforms with: RoHS, WEEE, LVD
 Complies with the standards: EN 60669-1
 Fire hazard test: 850°C (IEC60695-2-11)
 Working temperature: -25°C to +60°C;
 Installation temperature: -5°C to +25°C

1-pole / 2-way hotel card reader with drawing pattern No. 1/6 printed on the back for easy installation reference. Designed for energy-saving control in hotel rooms, the card reader activates power only when a valid card is inserted.

REFERENCE	DESCRIPTION
ETM356P	with screw terminals
ETM356PQ	with screwless terminals

Technical drawings





Hotel card 2 pole

ETM357P

IP20

PC

HALOGEN FREE

ETM357PQ

Colour: white RAL9003 (UV stable), black RAL9016

Technical data: 16A 250VAC

Frequency: 50Hz

Certificates: Semko, CE

Conforms with: RoHS, WEEE, LVD

Complies with the standards: EN 60669-1

Fire hazard test: 850°C (IEC60695-2-11)

Working temperature: -25°C to +60°C;

Installation temperature: -5°C to +25°C

2-pole hotel card reader with drawing pattern No. 2 printed on the back for easy installation reference. Designed for energy-saving control in hotel rooms, the card reader activates power only when a valid card is inserted. Ideal for lighting management.

REFERENCE	DESCRIPTION
ETM357P	with screw terminals
ETM2357PQ	with screwless terminals



Swedish telephone socket

ETM210P-S

IP20

PC

HALOGEN FREE

Colour: white RAL9003 (UV stable), black RAL9016

Conforms with: RoHS, WEEE

Complies with the standards: SS 455 15 50

Fire hazard test: 850°C (IEC60695-2-11)

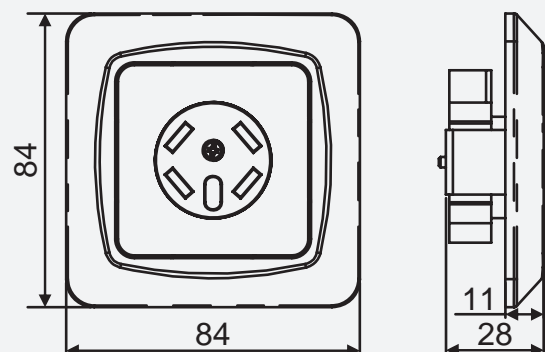
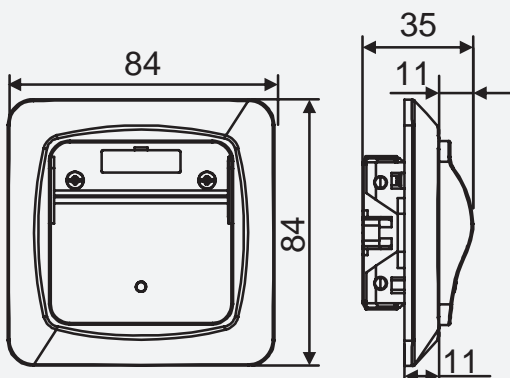
Working temperature: -25°C to +60°C;

Installation temperature: -5°C to +25°C

Flush-mounted Swedish telephone socket, used as NTP for PSTN networks. Features a 55×55mm thermoplastic center plate, single Pozidriv screw, and fits 60mm cc wall boxes and Series P combination plates.

REFERENCE	PACKAGING OPTIONS	
ETM210P-S	1PCS	160PCS

Technical drawings



Other products



TV, radio and satellite socket

ETM198P

IP20

PC

HALOGEN FREE

Colour: white RAL9003 (UV stable), black RAL9016
 Technical data: 75 ohm, 7dB
 Conforms with: RoHS, WEEE
 Fire hazard test: 850°C (IEC60695-2-11)
 Working temperature: -25°C to +60°C
 Installation temperature: -5°C to +25°C

Flush-mounted TV/radio/satellite socket with 75 ohm end terminator. Fits standard wall boxes (60 mm c-c) and includes a single Pozidriv screw in the cover plate. 55×55 mm thermoplastic center plate fits Series P. Compatible with ETM240P housing for surface-entry cable installations.

REFERENCE	PACKAGING OPTIONS
ETM198P	1PCS



TV, radio and satellite socket

ETM199P

IP20

PC

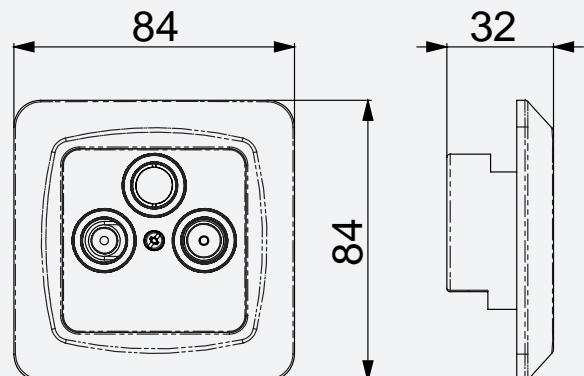
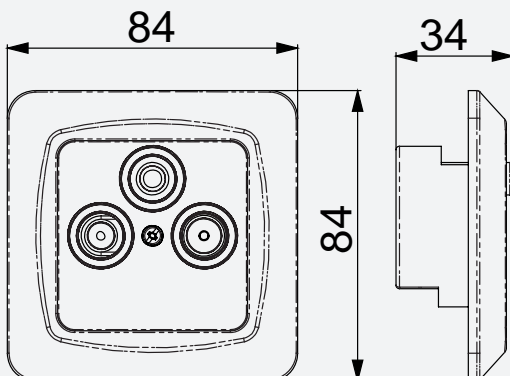
HALOGEN FREE

Colour: white RAL9003 (UV stable), black RAL9016
 Technical data: 75 ohm, 7dB
 Conforms with: RoHS, WEEE
 Fire hazard test: 850°C (IEC60695-2-11)
 Working temperature: -25°C to +60°C
 Installation temperature: -5°C to +25°C

Flush-mounted TV/radio/satellite socket with 75 ohm end terminator. Fits standard wall boxes (60 mm c-c) and includes a single Pozidriv screw in the cover plate. 55×55 mm thermoplastic center plate fits Series P. Compatible with ETM240P housing for surface-entry cable installations.

REFERENCE	PACKAGING OPTIONS
ETM199P	1PCS

Technical drawings





TV, radio and satellite socket frame

ETM199PW

IP20

PC

HALOGEN FREE

Colour: white RAL9003 (UV stable), black RAL9016
 Technical data: 75 ohm, 7dB
 Conforms with: RoHS, WEEE
 Fire hazard test: 850°C (IEC60695-2-11)
 Working temperature: -25°C to +60°C
 Installation temperature: -5°C to +25°C

TV/radio/satellite socket cover made of durable thermoplastic, designed to fit 55×55mm center plates. Compatible with series P combination plates. Provides a clean, flush finish for coaxial outlet installations.

REFERENCE	PACKAGING OPTIONS	
ETM199PW	1PCS	320PCS



TV, radio and satellite socket centre plate

ETM199PW-2

IP20

PC

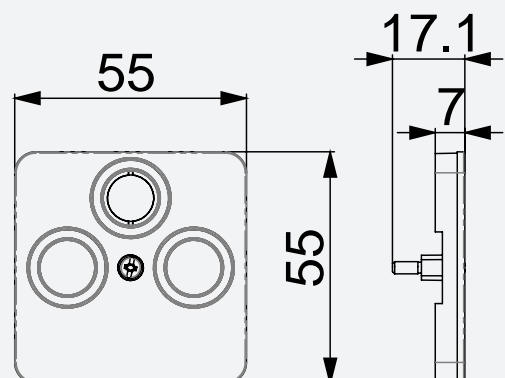
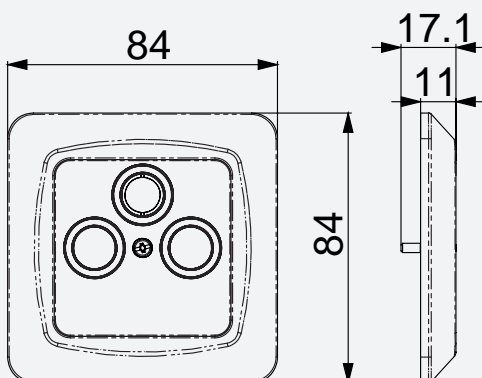
HALOGEN FREE

Colour: white RAL9003 (UV stable), black RAL9016
 Technical data: 75 ohm, 7dB
 Conforms with: RoHS, WEEE
 Fire hazard test: 850°C (IEC60695-2-11)
 Working temperature: -25°C to +60°C
 Installation temperature: -5°C to +25°C

TV/radio/satellite center plate cover made of robust thermoplastic. Designed for flush-mounted coaxial outlets, it fits standard 55×55mm dimensions and is compatible with Series P combination plates. Provides a clean and secure finish.

REFERENCE	PACKAGING OPTIONS	
ETM199PW-2	1PCS	

Technical drawings



Other products



RJ45 plastic cover with frame

ETM211PWR IP20 PC HALOGEN FREE

Colour: white RAL9003 (UV stable), black RAL9016
 Keystone size: 14.6×19.8
 Conforms with: RoHS, WEEE, LVD
 Certificates: CE
 Fire hazard test: 850°C (IEC60695-2-11)
 Working temperature: -25°C to +60°C
 Installation temperature: -5°C to +25°C

Flush-mounted RJ45 center plate, 55×55 mm, fits Series P combination plates. Available in red (R) or black (B) for large/small keystones. Includes dust cover (except angled). Compatible with various keystone brands, even wider AMP connectors.

REFERENCE	PACKAGING OPTIONS	
ETM211PWR	1PCS	300PCS



RJ45 plastic cover with frame

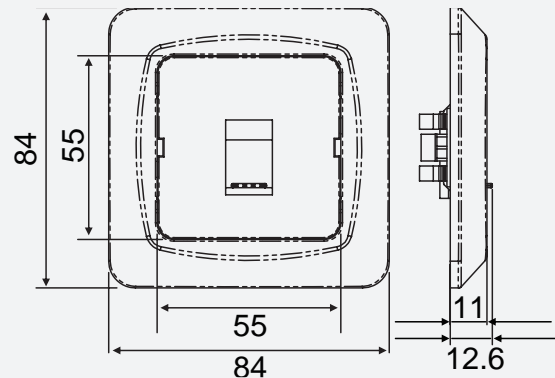
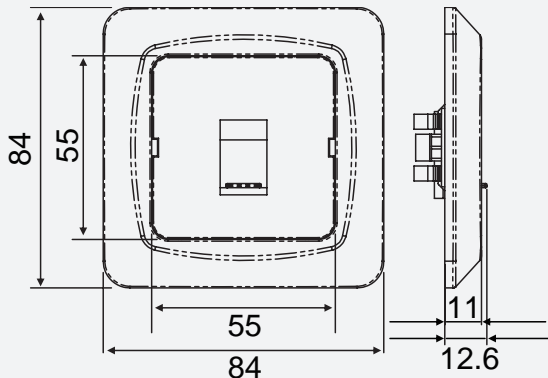
ETM211PWB IP20 PC HALOGEN FREE

Colour: white RAL9003 (UV stable), black RAL9016
 Keystone size: 14.6×19.2
 Conforms with: RoHS, WEEE, LVD
 Certificates: CE
 Fire hazard test: 850°C (IEC60695-2-11)
 Working temperature: -25°C to +60°C
 Installation temperature: -5°C to +25°C

Flush-mounted RJ45 center plate, 55×55 mm, fits Series P combination plates. Available in red (R) or black (B) for large/small keystones. Includes dust cover (except angled). Compatible with various keystone brands, even wider AMP connectors.

REFERENCE	PACKAGING OPTIONS	
ETM211PWB	1PCS	300PCS

Technical drawings





RJ45 + TV plastic cover with frame

ETM210PW+C IP20 PC HALOGEN FREE

Colour: white RAL9003 (UV stable), black RAL9016
 Technical data: Cat 5e or Cat 6
 Max ambient temp.: 80°C
 Conforms with: RoHS, WEEE
 Certificates: CE
 Fire hazard test: 850°C (IEC60695-2-11)
 Working temperature: -25°C to +60°C
 Installation temperature: -5°C to +25°C

Flush-mounted RJ45 + Coax/F-type socket cover with 2 Keystone cutouts and 1 antenna cutout. Includes 1 blind plug. Screwless 55×55mm thermoplastic center plate fits Series P combo plates. Modular parts not included. Suitable for ETM240P housing.

REFERENCE	PACKAGING OPTIONS	
ETM210PW+C	1PCS	160PCS



RJ45 + TV plastic cover with frame

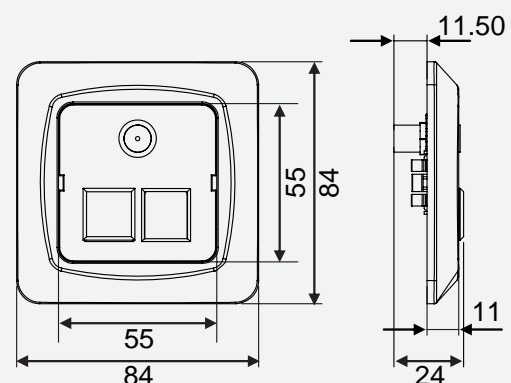
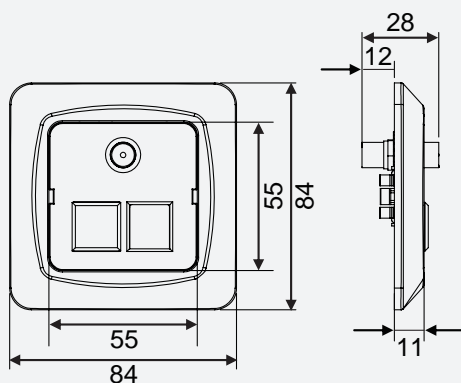
ETM210PW+F IP20 PC HALOGEN FREE

Colour: white RAL9003 (UV stable), black RAL9016
 Technical data: Cat 5e or Cat 6
 Max ambient temp.: 80°C
 Conforms with: RoHS, WEEE
 Certificates: CE
 Fire hazard test: 850°C (IEC60695-2-11)
 Working temperature: -25°C to +60°C
 Installation temperature: -5°C to +25°C

Flush-mounted RJ45 + F-type /F-type socket cover with 2 Keystone cutouts and 1 antenna cutout. Includes 1 blind plug. Screwless 55×55mm thermoplastic center plate fits Series P combo plates. Modular parts not included. Suitable for ETM240P housing.

REFERENCE	PACKAGING OPTIONS	
ETM210PW+F	1PCS	160PCS

Technical drawings



Other products



Socket panel without modular jacks for LexCom

ETM210PW-L IP20 PC HALOGEN FREE

Colour: white RAL9003 (UV stable), black RAL9016
 Technical data: Cat 5e or Cat 6
 Max ambient temp.: 80°C
 Conforms with: RoHS, WEEE
 Certificates: CE
 Fire hazard test: 850°C (IEC60695-2-11)
 Working temperature: -25°C to +60°C
 Installation temperature: -5°C to +25°C

Socket cover for LexCom modular system, designed for flush mounting. Allows LexCom modules to be mounted into our combination plates. Includes 55×55 mm thermoplastic center plate with 2 Pozidriv screws. Fits Series P plates and U240 surface housing.

REFERENCE	PACKAGING OPTIONS	
ETM210PW-L	1PCS	360PCS



Blind cover

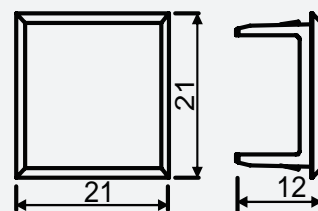
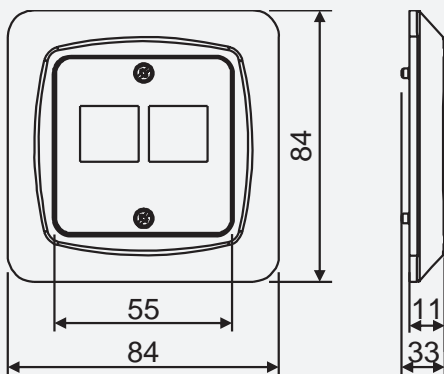
ETM498P IP20 PC HALOGEN FREE

Colour: white RAL9003 (UV stable), black RAL9016
 Technical data: Cat 5e or Cat 6
 Max ambient temp.: 80°C
 Conforms with: RoHS, WEEE
 Certificates: CE
 Fire hazard test: 850°C (IEC60695-2-11)
 Working temperature: -25°C to +60°C
 Installation temperature: -5°C to +25°C

Blind cover for LexCom entries, designed for flush-mounted systems. Closes unused modular openings cleanly and securely.

REFERENCE	PACKAGING OPTIONS	
ETM498P	1PCS	

Technical drawings





RJ45 dust cover

ETM210PWR

IP20

PC

HALOGEN FREE

Colour: white RAL9003 (UV stable), black RAL9016
 Technical data: Cat 5e or Cat 6
 Max ambient temp.: 80°C
 Conforms with: RoHS, WEEE
 Certificates: CE
 Fire hazard test: 850°C (IEC60695-2-11)
 Working temperature: -25°C to +60°C
 Installation temperature: -5°C to +25°C

Socket cover for 2xRJ45 with dust covers, compatible with Keystone modules (14.6×19.8 mm). Flush-mounted system with screwless design. Thermoplastic 55×55 mm center plate fits Series P combination plates. Allows neat, secure installation of dual data connectors.

REFERENCE	PACKAGING OPTIONS	
ETM210PWR	1PCS	300PCS



RJ45 dust cover

ETM210PWB

IP20

PC

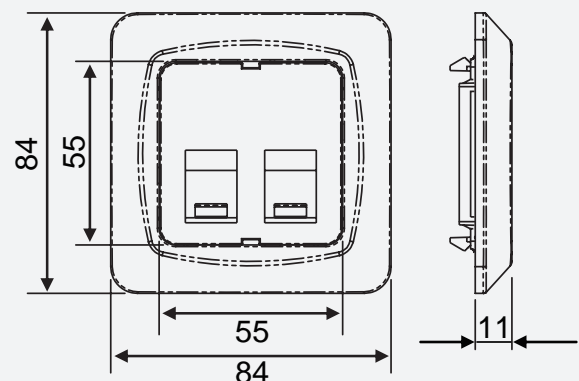
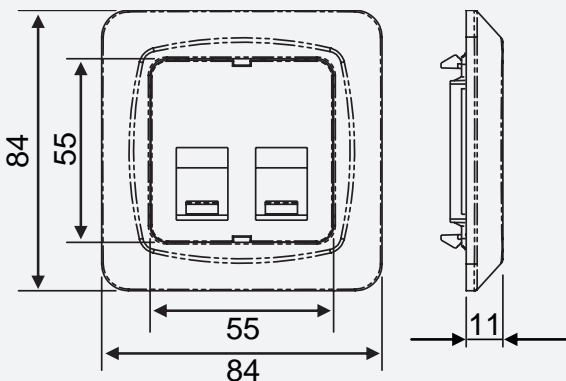
HALOGEN FREE

Colour: white RAL9003 (UV stable), black RAL9016
 Technical data: Cat 5e or Cat 6
 Max ambient temp.: 80°C
 Conforms with: RoHS, WEEE
 Certificates: CE
 Fire hazard test: 850°C (IEC60695-2-11)
 Working temperature: -25°C to +60°C
 Installation temperature: -5°C to +25°C

Socket cover for 2xRJ45 with dust covers, compatible with Keystone modules (14.6×19.8 mm). Flush-mounted system with screwless design. Thermoplastic 55×55 mm center plate fits Series P combination plates. Allows neat, secure installation of dual data connectors.

REFERENCE	PACKAGING OPTIONS	
ETM210PWB	1PCS	300PCS

Technical drawings



Other products



RJ45 angled dust cover

ETM210PAWR IP20 PC HALOGEN FREE

Colour: white RAL9003 (UV stable), black RAL9016
 Technical data: Cat 5e or Cat 6
 Max ambient temp.: 80°C
 Conforms with: RoHS, WEEE
 Certificates: CE
 Fire hazard test: 850°C (IEC60695-2-11)
 Working temperature: -25°C to +60°C
 Installation temperature: -5°C to +25°C

Socket cover for 2xRJ45 angled, compatible with Keystone modules (14.6×19.8 mm). Flush-mounted system with screwless design. Thermoplastic 55×55 mm center plate fits Series P combination plates. Allows neat, secure installation of dual data connectors.

REFERENCE	PACKAGING OPTIONS	
ETM210PAWR	1PCS	240PCS



RJ45 angled dust cover

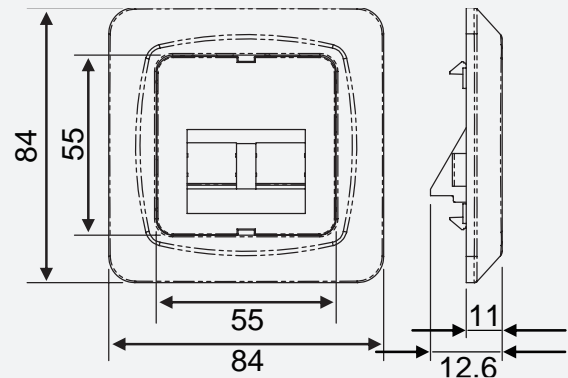
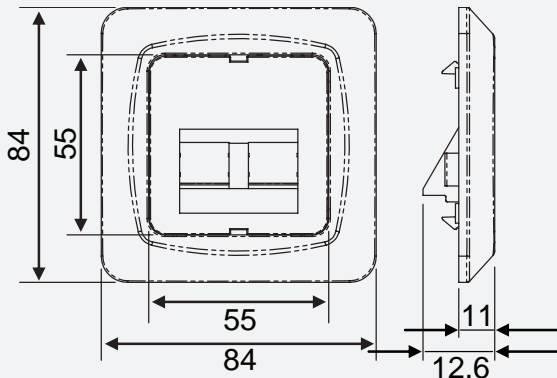
ETM210PAWB IP20 PC HALOGEN FREE

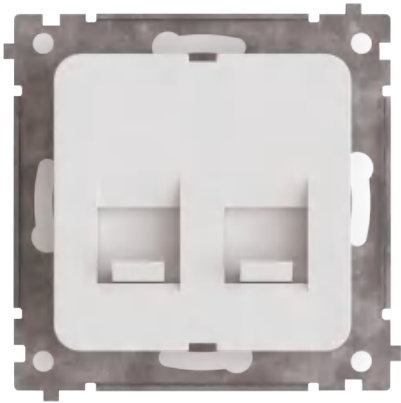
Colour: white RAL9003 (UV stable), black RAL9016
 Technical data: Cat 5e or Cat 6
 Max ambient temp.: 80°C
 Conforms with: RoHS, WEEE
 Certificates: CE
 Fire hazard test: 850°C (IEC60695-2-11)
 Working temperature: -25°C to +60°C
 Installation temperature: -5°C to +25°C

Socket cover for 2xRJ45 angled, compatible with Keystone modules (14.6×19.2 mm). Flush-mounted system with screwless design. Thermoplastic 55×55 mm center plate fits Series P combination plates. Allows neat, secure installation of dual data connectors.

REFERENCE	PACKAGING OPTIONS	
ETM210PAWB	1PCS	240PCS

Technical drawings





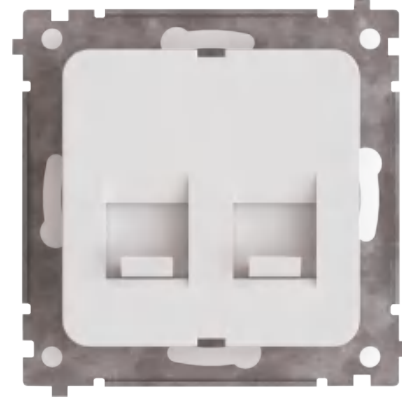
RJ45 dust cover without frame

ETM210PWR-2 **IP20** **PC** **HALOGEN FREE**

Colour: white RAL9003 (UV stable), black RAL9016
 Technical data: Cat 5e or Cat 6
 Max ambient temp.: 80°C
 Conforms with: RoHS, WEEE
 Certificates: CE
 Fire hazard test: 850°C (IEC60695-2-11)
 Working temperature: -25°C to +60°C
 Installation temperature: -5°C to +25°C

Socket cover for 2xRJ45 with dust covers without frame, compatible with Keystone modules (14.6×19.8 mm). Flush-mounted system with screwless design. Thermoplastic 55×55 mm center plate fits Series P combination plates. Allows neat, secure installation of dual data connectors.

REFERENCE	PACKAGING OPTIONS	
ETM210PWR-2	1PCS	400PCS



RJ45 dust cover without frame

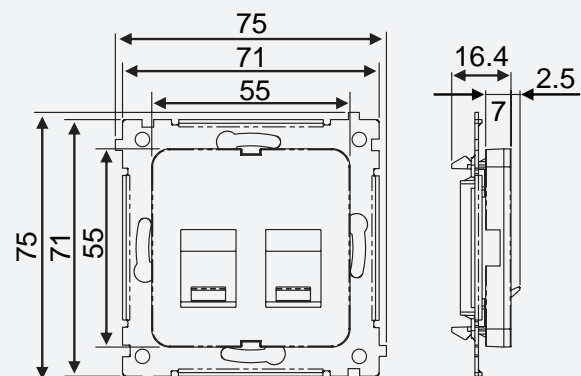
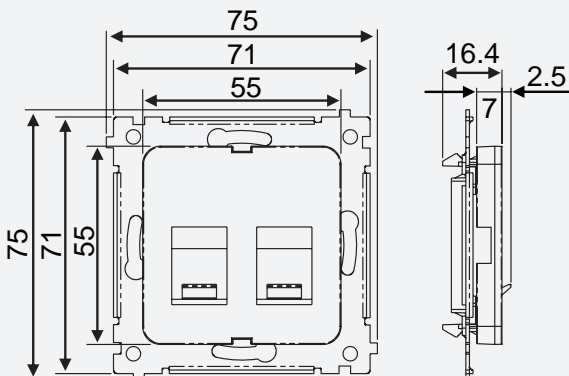
ETM210PWB-2 **IP20** **PC** **HALOGEN FREE**

Colour: white RAL9003 (UV stable), black RAL9016
 Technical data: Cat 5e or Cat 6
 Max ambient temp.: 80°C
 Conforms with: RoHS, WEEE
 Certificates: CE
 Fire hazard test: 850°C (IEC60695-2-11)
 Working temperature: -25°C to +60°C
 Installation temperature: -5°C to +25°C

Socket cover for 2xRJ45 with dust covers without frame, compatible with Keystone modules (14.6×19.8 mm). Flush-mounted system with screwless design. Thermoplastic 55×55 mm center plate fits Series P combination plates. Allows neat, secure installation of dual data connectors.

REFERENCE	PACKAGING OPTIONS	
ETM210PWB-2	1PCS	400PCS

Technical drawings



Other products



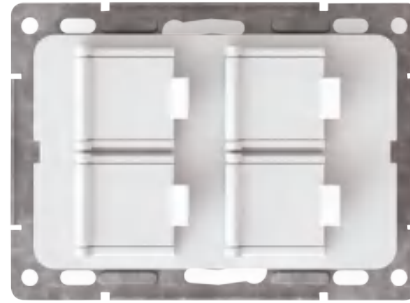
LexCom/Actassi cover without frame

ETM440PW-2 IP20 PC HALOGEN FREE

Colour: white RAL9003 (UV stable), black RAL9016
 Technical data: Cat 5e or Cat 6
 Max ambient temp.: 80°C
 Conforms with: RoHS, WEEE
 Certificates: CE
 Fire hazard test: 850°C (IEC60695-2-11)
 Working temperature: -25°C to +60°C
 Installation temperature: -5°C to +25°C

Socket cover for 2xRJ45 angled, compatible with Keystone modules (14.6×19.8 mm). Flush-mounted system with screwless design. Thermoplastic 55×55 mm center plate fits Series P combination plates. Allows neat, secure installation of dual data connectors.

REFERENCE	PACKAGING OPTIONS	
ETM440PW-2	1PCS	270PCS



RJ45 dust cover without frame

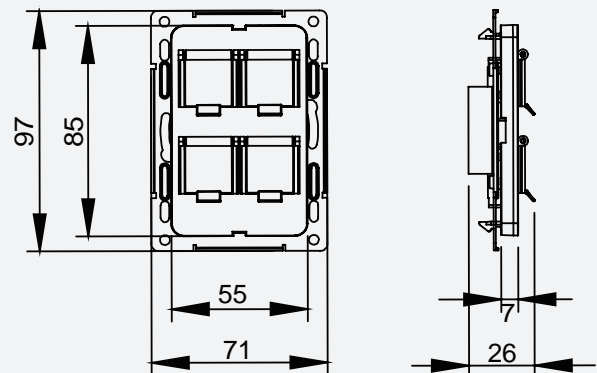
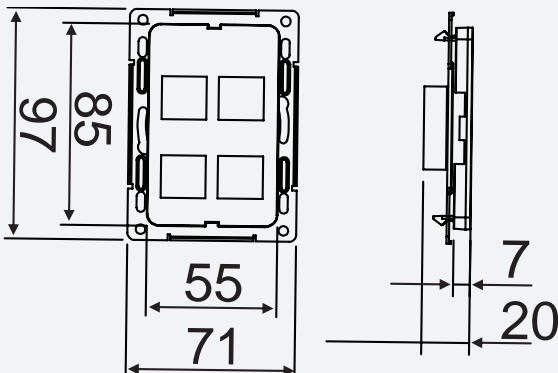
ETM441PWR-2 IP20 PC HALOGEN FREE

Colour: white RAL9003 (UV stable), black RAL9016
 Technical data: Cat 5e or Cat 6
 Max ambient temp.: 80°C
 Conforms with: RoHS, WEEE
 Certificates: CE
 Fire hazard test: 850°C (IEC60695-2-11)
 Working temperature: -25°C to +60°C
 Installation temperature: -5°C to +25°C

Socket cover for 4xRJ45 with dust covers without frame, compatible with Keystone modules (15.6×19.8 mm). Flush-mounted system with screwless design. Thermoplastic 55×55 mm center plate fits Series P combination plates. Allows neat, secure installation of dual data connectors.

REFERENCE	PACKAGING OPTIONS	
ETM441PWR-2	1PCS	160PCS

Technical drawings





RJ45 dust cover without frame

ETM441PWB-2 **IP20** **PC** **HALOGEN FREE**

Colour: white RAL9003 (UV stable), black RAL9016
 Technical data: Cat 5e or Cat 6
 Max ambient temp.: 80°C
 Conforms with: RoHS, WEEE
 Certificates: CE
 Fire hazard test: 850°C (IEC60695-2-11)
 Working temperature: -25°C to +60°C
 Installation temperature: -5°C to +25°C

Socket cover for 4xRJ45 with dust covers without frame, compatible with Keystone modules (15.6×19.2 mm). Flush-mounted system with screwless design. Thermoplastic 55×55 mm center plate fits Series P combination plates. Allows neat, secure installation of dual data connectors.

REFERENCE	PACKAGING OPTIONS	
ETM441PWB-2	1PCS	160PCS



Surface-mounted floor box Perilex

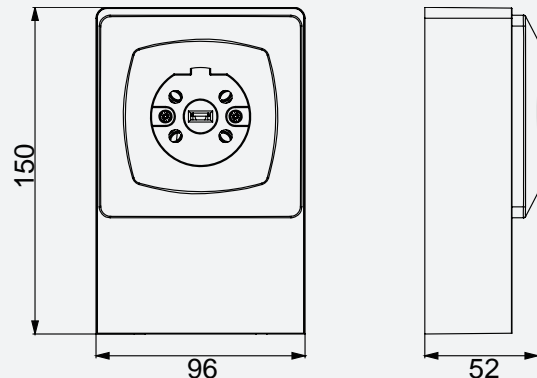
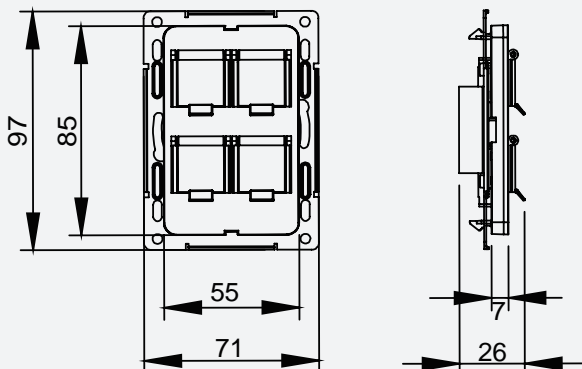
ETM689P-1 **IP20** **PC** **HALOGEN FREE**

Colour: white RAL9003 (UV stable)
 Technical data: 16A 230/400VAC
 Frequency: 50Hz
 Certificates: Semko
 Conforms with: RoHS, WEEE
 Complies with the standards: EN 60884-1, DIN 49445 forms A2
 Fire hazard test: 850°C (IEC60695-2-11)
 Working temperature: -25°C to +60°C;
 Installation temperature: -5°C to +25°C

Perilex socket with floor box for wooden trunkings. Doubles as junction box (max. 5 terminals), fits 12/18mm height, 44.5–62.5mm width. 60mm fixing centers. Includes bottom and side cable cut-outs. No conduit entries. Sharp corners for stability.

REFERENCE	PACKAGING OPTIONS	
ETM689P-1	1PCS	40PCS

Technical drawings



Other products



Adapters for 2S frames

ETM494P IP20 PC HALOGEN FREE

Colour: white RAL9003 (UV stable), black RAL9016
 Conforms with: RoHS, WEEE
 Fire hazard test: 850°C (IEC60695-2-11)
 Working temperature: -25°C to +60°C
 Installation temperature: -5°C to +25°C

Middle piece designed to cover gaps when 55×55 mm standard equipment (excluding switches) is installed in a 2S frame. Ensures a neat finish, aligns components seamlessly, and maintains the aesthetic integrity of the installation. Durable and easy to fit.

REFERENCE	PACKAGING OPTIONS	
ETM494P	1PCS	700PCS



Blind plate without steel bracket

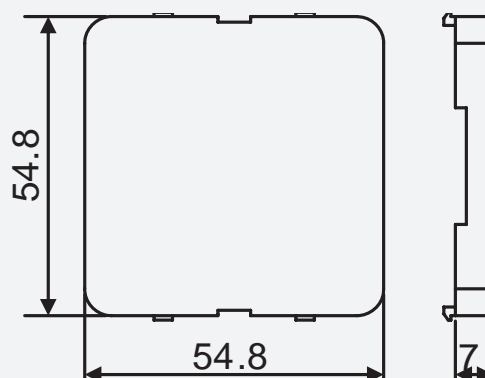
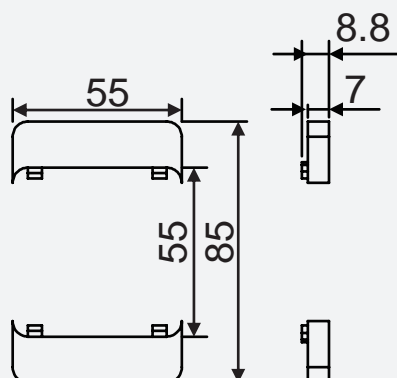
ETM263P IP20 PC HALOGEN FREE

Colour: white RAL9003 (UV stable), black RAL9016
 Conforms with: RoHS, WEEE
 Fire hazard test: 850°C (IEC60695-2-11)
 Working temperature: -25°C to +60°C
 Installation temperature: -5°C to +25°C

Blind plate without frame, designed to cover unused openings in combination plates when multiple wall boxes are installed but not all are in use. Provides a clean, finished look while protecting the unused space.

REFERENCE	PACKAGING OPTIONS	
ETM263P	1PCS	700PCS

Technical drawings





Blind plate with steel bracket

ETM264P

IP20

PC

HALOGEN FREE

Colour: white RAL9003 (UV stable), black RAL9016
 Conforms with: RoHS, WEEE
 Fire hazard test: 850°C (IEC60695-2-11)
 Working temperature: -25°C to +60°C
 Installation temperature: -5°C to +25°C

Blind plate with frame, ideal for covering unused openings in combination plates when multiple wall boxes are installed but not all are used. Ensures a neat, finished appearance while protecting the unused space. Durable design for quick, easy installation.

REFERENCE	PACKAGING OPTIONS	
ETM264P	1PCS	500PCS



Blind plate with steel bracket, 2S

ETM439PW

IP20

PC

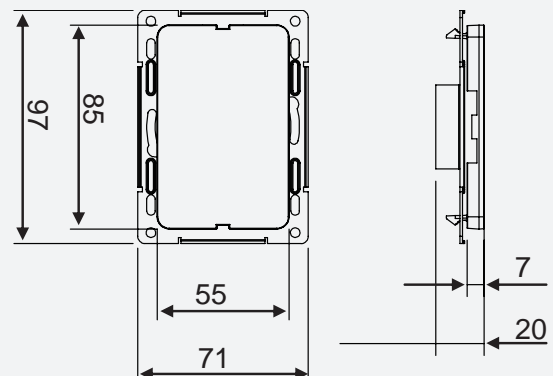
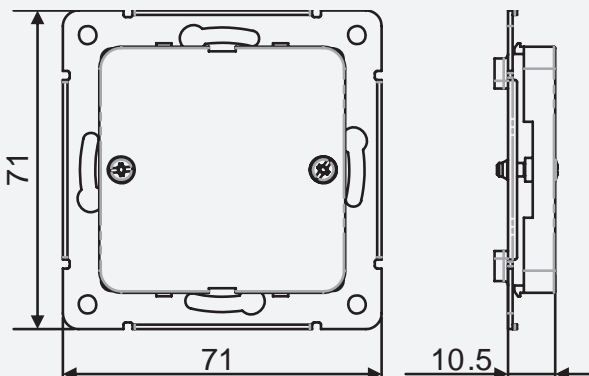
HALOGEN FREE

Colour: white RAL9003 (UV stable), black RAL9016
 Conforms with: RoHS, WEEE
 Fire hazard test: 850°C (IEC60695-2-11)
 Working temperature: -25°C to +60°C
 Installation temperature: -5°C to +25°C

2S blind plate with frame, designed to cover unused sections in combination plates when two wall boxes are installed but only one is in use. Provides a clean, professional finish and protects the unused space. Easy, secure installation.

REFERENCE	PACKAGING OPTIONS	
ETM439PW	1PCS	270PCS

Technical drawings



Frames



One-way combi frame

ETM262P IP20 PC HALOGEN FREE

Colour: white RAL9003 (UV stable), black RAL9016
 Conforms with: RoHS, WEEE
 Fire hazard test: 850°C (IEC60695-2-11)
 Working temperature: -25°C to +60°C
 Installation temperature: -5°C to +25°C

1-way combination frame for Series P products, available in white or black. Suitable for recessed installation or with matching wall casings. No extra mounting frame needed - Series P products include it by default.

REFERENCE	PACKAGING OPTIONS	
ETM262P	1PCS	220PCS



Two-way combi frame

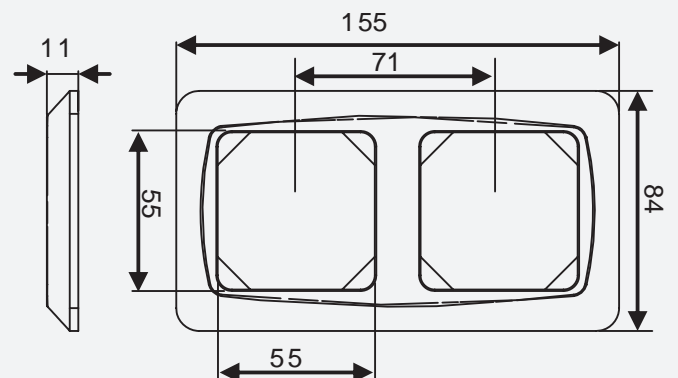
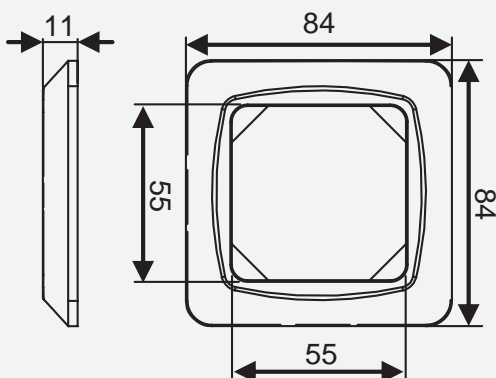
ETM205P IP20 PC HALOGEN FREE

Colour: white RAL9003 (UV stable), black RAL9016
 Conforms with: RoHS, WEEE
 Fire hazard test: 850°C (IEC60695-2-11)
 Working temperature: -25°C to +60°C
 Installation temperature: -5°C to +25°C

2-way combination frame available in white or black. Designed for recessed installation or use with wall casings of matching size. No extra mounting frame needed - it's included with all Series P products.

REFERENCE	PACKAGING OPTIONS	
ETM205P	1PCS	220PCS

Technical drawings





Three-way combi frame

ETM206P

IP20

PC

HALOGEN FREE

Colour: white RAL9003 (UV stable), black RAL9016
 Conforms with: RoHS, WEEE
 Fire hazard test: 850°C (IEC60695-2-11)
 Working temperature: -25°C to +60°C
 Installation temperature: -5°C to +25°C

3-way combination frame available in white or black. Designed for recessed installation or use with wall casings of matching size.

Four-way combi frame

ETM234P

IP20

PC

HALOGEN FREE

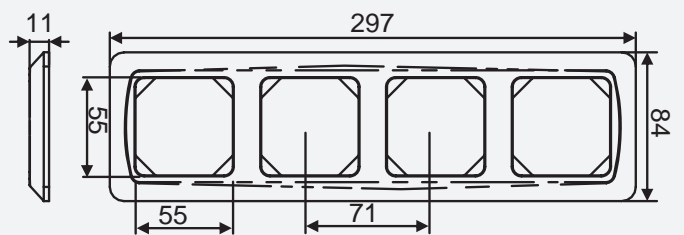
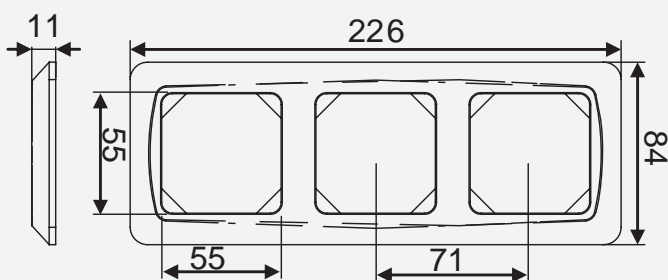
Colour: white RAL9003 (UV stable), black RAL9016
 Conforms with: RoHS, WEEE
 Fire hazard test: 850°C (IEC60695-2-11)
 Working temperature: -25°C to +60°C
 Installation temperature: -5°C to +25°C

4-way combination frame available in white or black. Designed for recessed installation or use with wall casings of matching size.

REFERENCE	PACKAGING OPTIONS	
ETM206P	1PCS	170PCS

REFERENCE	PACKAGING OPTIONS	
ETM234P	1PCS	80PCS

Technical drawings



Frames



Five-way combi frame

ETM295P IP20 PC HALOGEN FREE

Colour: white RAL9003 (UV stable), black RAL9016
 Conforms with: RoHS, WEEE
 Fire hazard test: 850°C (IEC60695-2-11)
 Working temperature: -25°C to +60°C
 Installation temperature: -5°C to +25°C

5-way combination frame for Series P products, available in white or black. Suitable for recessed installation or with matching wall casings. No extra mounting frame needed - Series P products include it by default.

REFERENCE	PACKAGING OPTIONS	
ETM295P	1PCS	120PCS



One-way combi frame 90x90mm

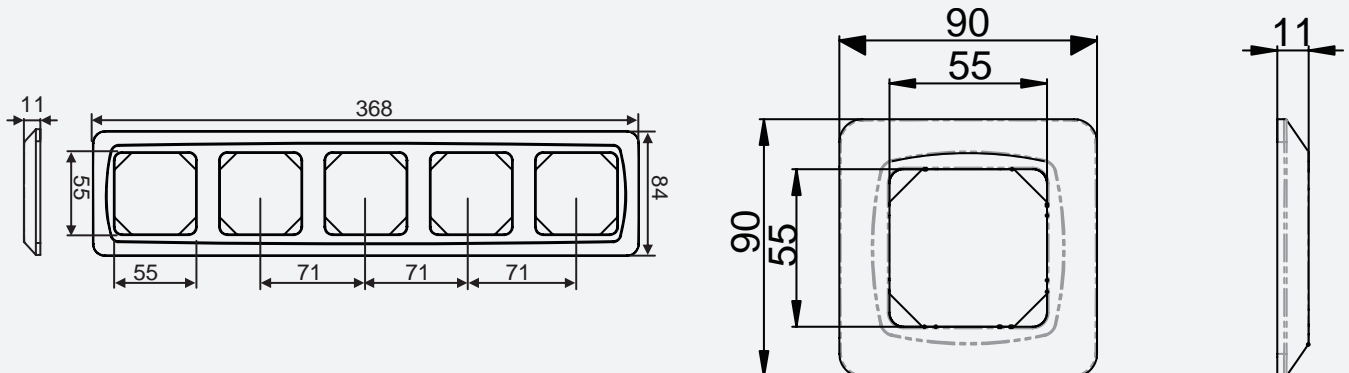
ETM262P90 IP20 PC HALOGEN FREE

Colour: white RAL9003 (UV stable), black RAL9016
 Conforms with: RoHS, WEEE
 Fire hazard test: 850°C (IEC60695-2-11)
 Working temperature: -25°C to +60°C
 Installation temperature: -5°C to +25°C

1-way combination frame available in white or black. Designed for recessed installation or use with wall casings of matching size. No extra mounting frame needed - it's included with all Series P products.

REFERENCE	PACKAGING OPTIONS	
ETM262P90	1PCS	360PCS

Technical drawings





Two-way combi frame 90x90mm

ETM205P90 IP20 PC HALOGEN FREE

Colour: white RAL9003 (UV stable), black RAL9016
 Conforms with: RoHS, WEEE
 Fire hazard test: 850°C (IEC60695-2-11)
 Working temperature: -25°C to +60°C
 Installation temperature: -5°C to +25°C

2-way combination frame available in white or black. Designed for recessed installation or use with wall casings of matching size.

Three-way combi frame 90x90mm

ETM206P90 IP20 PC HALOGEN FREE

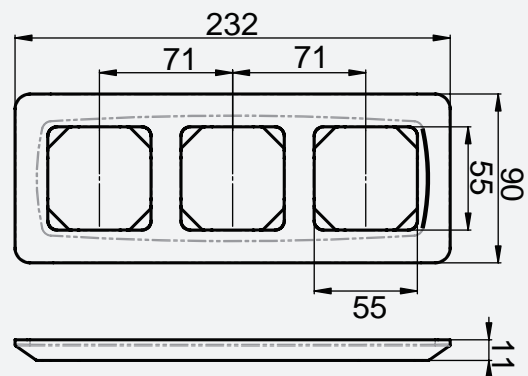
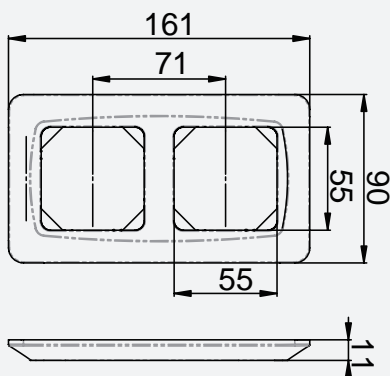
Colour: white RAL9003 (UV stable), black RAL9016
 Conforms with: RoHS, WEEE
 Fire hazard test: 850°C (IEC60695-2-11)
 Working temperature: -25°C to +60°C
 Installation temperature: -5°C to +25°C

3-way combination frame available in white or black. Designed for recessed installation or use with wall casings of matching size.

REFERENCE	PACKAGING OPTIONS	
ETM205P90	1PCS	200PCS

REFERENCE	PACKAGING OPTIONS	
ETM206P90	1PCS	130PCS

Technical drawings



Frames



Four-way combi frame 90x90mm

ETM234P90 IP20 PC HALOGEN FREE

Colour: white RAL9003 (UV stable), black RAL9016
 Conforms with: RoHS, WEEE
 Fire hazard test: 850°C (IEC60695-2-11)
 Working temperature: -25°C to +60°C
 Installation temperature: -5°C to +25°C

4-way combination frame for Series P products, available in white or black. Suitable for recessed installation or with matching wall casings. No extra mounting frame needed - Series P products include it by default.

REFERENCE	PACKAGING OPTIONS	
ETM234P90	1PCS	120PCS



One-way RS16 frame

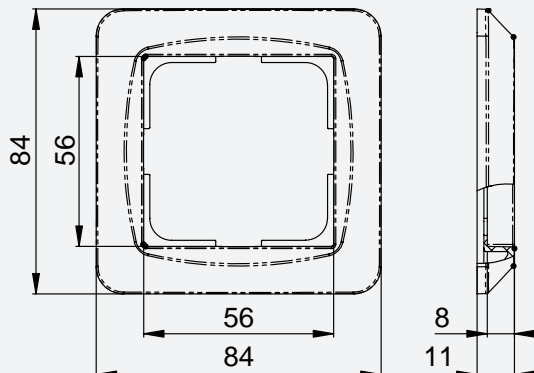
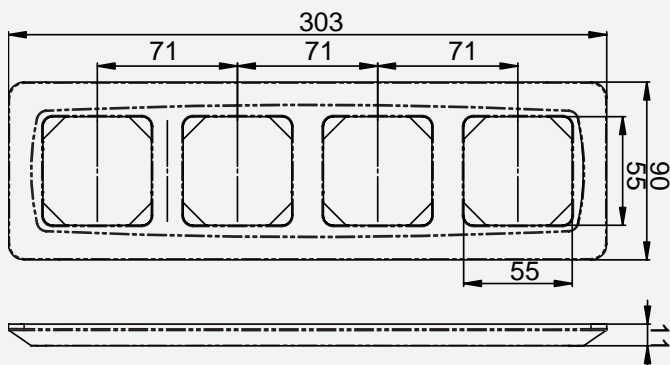
ETM294P IP20 PC HALOGEN FREE

Colour: white RAL9003 (UV stable), black RAL9016
 Conforms with: RoHS, WEEE
 Fire hazard test: 850°C (IEC60695-2-11)
 Working temperature: -25°C to +60°C
 Installation temperature: -5°C to +25°C

1-way RS16 frame available in white or black. Designed for recessed installation or use with wall casings of matching size. No extra mounting frame needed - it's included with all Series P products.

REFERENCE	PACKAGING OPTIONS
ETM294P	1PCS

Technical drawings





Two-way combi frame with one RS16

ETM250P

IP20

PC

HALOGEN FREE

Colour: white RAL9003 (UV stable), black RAL9016
 Conforms with: RoHS, WEEE
 Fire hazard test: 850°C (IEC60695-2-11)
 Working temperature: -25°C to +60°C
 Installation temperature: -5°C to +25°C

2-way combination frame fitting one standard sized socket/switch and one RS16-sized. Designed for recessed installation or use with wall casings of matching size.

REFERENCE	PACKAGING OPTIONS	
ETM250P	1PCS	280PCS

Three-way combi frame with one RS16

ETM251P

IP20

PC

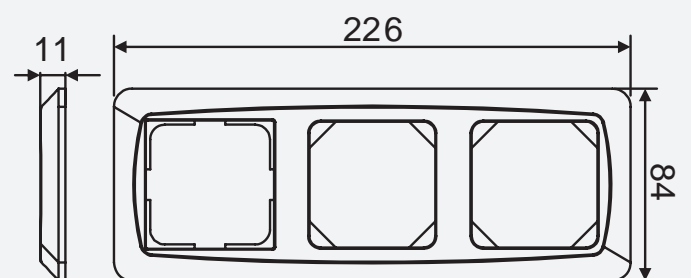
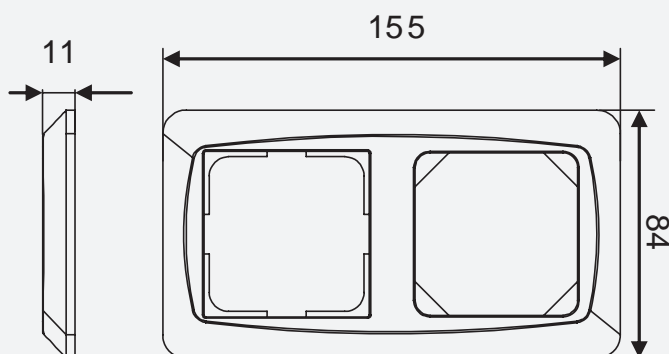
HALOGEN FREE

Colour: white RAL9003 (UV stable), black RAL9016
 Conforms with: RoHS, WEEE
 Fire hazard test: 850°C (IEC60695-2-11)
 Working temperature: -25°C to +60°C
 Installation temperature: -5°C to +25°C

3-way combination frame fitting two standard-sized sockets/switches and one RS16-sized. Designed for recessed installation or use with wall casings of matching size.

REFERENCE	PACKAGING OPTIONS	
ETM251P	1PCS	160PCS

Technical drawings



Frames



Four-way combi frame with one RS16

ETM253P IP20 PC HALOGEN FREE

Colour: white RAL9003 (UV stable), black RAL9016
 Conforms with: RoHS, WEEE
 Fire hazard test: 850°C (IEC60695-2-11)
 Working temperature: -25°C to +60°C
 Installation temperature: -5°C to +25°C

4-way combination frame fitting three standard sized sockets/ switches and one RS16-sized. Suitable for recessed installation or with matching wall casings. No extra mounting frame needed - Series P products include it by default.

REFERENCE	PACKAGING OPTIONS	
ETM253P	1PCS	140PCS

Five-way combi frame with one RS16

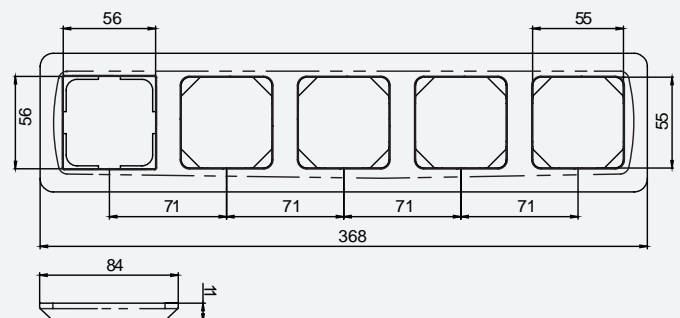
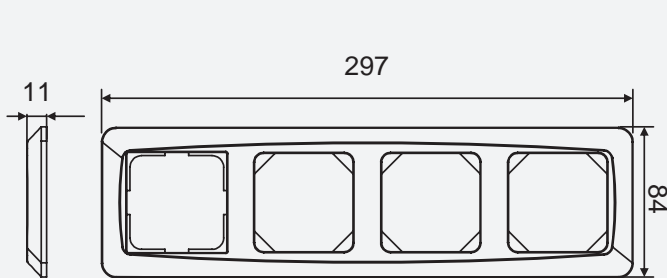
ETM311P IP20 PC HALOGEN FREE

Colour: white RAL9003 (UV stable), black RAL9016
 Conforms with: RoHS, WEEE
 Fire hazard test: 850°C (IEC60695-2-11)
 Working temperature: -25°C to +60°C
 Installation temperature: -5°C to +25°C

5-way combination frame fitting four standard sized sockets/ switches and one RS16-sized. Suitable for recessed installation or with matching wall casings. No extra mounting frame needed - Series P products include it by default.

REFERENCE	PACKAGING OPTIONS	
ETM311P	1PCS	120PCS

Technical drawings





Three-way combi frame with two RS16

ETM313P

IP20

PC

HALOGEN FREE

Colour: white RAL9003 (UV stable), black RAL9016
 Conforms with: RoHS, WEEE
 Fire hazard test: 850°C (IEC60695-2-11)
 Working temperature: -25°C to +60°C
 Installation temperature: -5°C to +25°C

3-way combination frame fitting one standard sized socket/switch and two RS16-sized. Designed for recessed installation or use with wall casings of matching size.

REFERENCE	PACKAGING OPTIONS	
ETM313P	1PCS	170PCS

Four-way combi frame with two RS16

ETM314P

IP20

PC

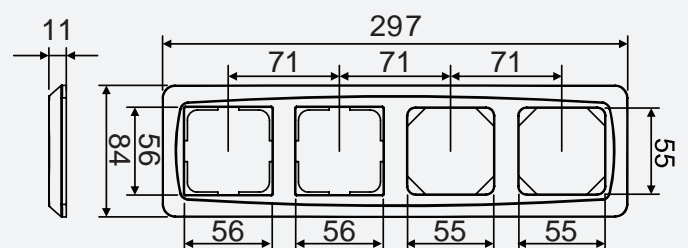
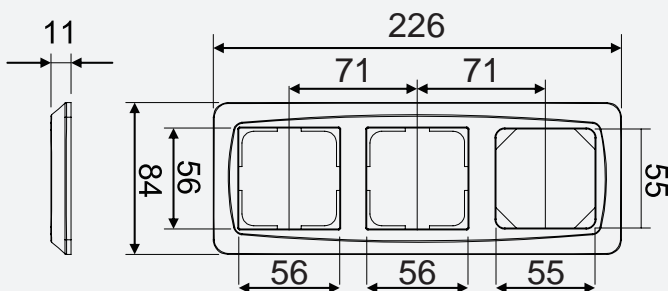
HALOGEN FREE

Colour: white RAL9003 (UV stable), black RAL9016
 Conforms with: RoHS, WEEE
 Fire hazard test: 850°C (IEC60695-2-11)
 Working temperature: -25°C to +60°C
 Installation temperature: -5°C to +25°C

4-way combination frame fitting two standard-sized sockets/switches and two RS16-sized. Designed for recessed installation or use with wall casings of matching size.

REFERENCE	PACKAGING OPTIONS	
ETM314P	1PCS	120PCS

Technical drawings



Frames



Five-way combi frame with two RS16

ETM315P IP20 PC HALOGEN FREE

Colour: white RAL9003 (UV stable), black RAL9016
 Conforms with: RoHS, WEEE
 Fire hazard test: 850°C (IEC60695-2-11)
 Working temperature: -25°C to +60°C
 Installation temperature: -5°C to +25°C

5-way combination frame fitting three standard sized sockets/ switches and two RS16-sized. Suitable for recessed installation or with matching wall casings.

REFERENCE	PACKAGING OPTIONS	
ETM315P	1PCS	120PCS



Combi frame S+M

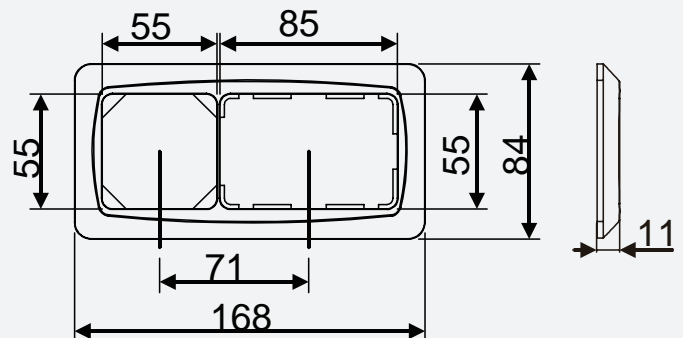
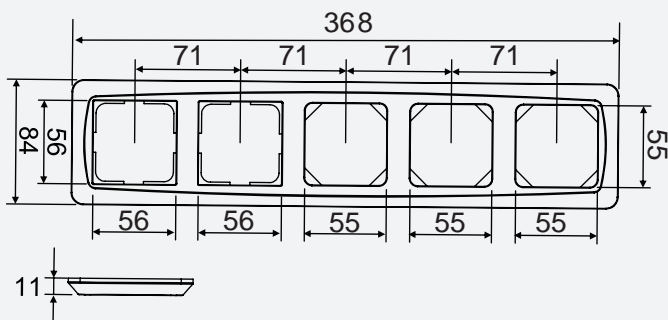
ETM305P IP20 PC HALOGEN FREE

Colour: white RAL9003 (UV stable), black RAL9016
 Conforms with: RoHS, WEEE
 Fire hazard test: 850°C (IEC60695-2-11)
 Working temperature: -25°C to +60°C
 Installation temperature: -5°C to +25°C

Combination frame fitting one standard (S) sized sockets/ switches and one double socket(M), sized 55×85mm. Suitable for recessed installation or with matching wall casings. No extra mounting frame needed - Series P products include it by default.

REFERENCE	PACKAGING OPTIONS	
ETM305P	1PCS	150PCS

Technical drawings





Combi frame S+S+M

ETM306P

IP20

PC

HALOGEN FREE

Colour: white RAL9003 (UV stable), black RAL9016
 Conforms with: RoHS, WEEE
 Fire hazard test: 850°C (IEC60695-2-11)
 Working temperature: -25°C to +60°C
 Installation temperature: -5°C to +25°C

Combination frame fitting two standard (S) sized socket/switch and one double socket (M), sized 55×85mm. Designed for recessed installation or use with wall casings of matching size.

REFERENCE	PACKAGING OPTIONS	
ETM306P	1PCS	80PCS



Combi frame S+S+S+M

ETM296P

IP20

PC

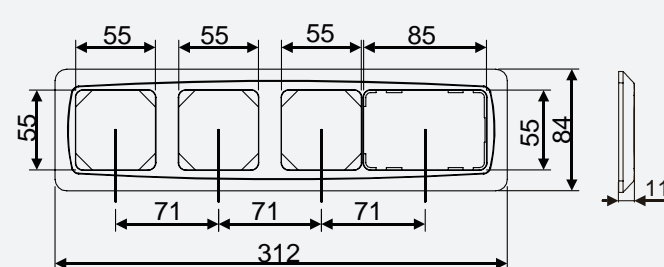
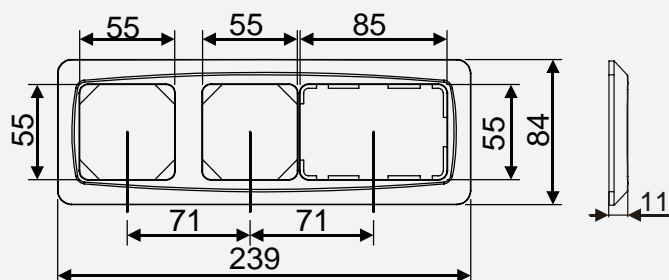
HALOGEN FREE

Colour: white RAL9003 (UV stable), black RAL9016
 Conforms with: RoHS, WEEE
 Fire hazard test: 850°C (IEC60695-2-11)
 Working temperature: -25°C to +60°C
 Installation temperature: -5°C to +25°C

Combination frame fitting three standard-sized (S) sockets/switches and one double socket (M), sized 55×85mm. Designed for recessed installation or use with wall casings of matching size.

REFERENCE	PACKAGING OPTIONS	
ETM296P	1PCS	90PCS

Technical drawings



Frames



2S frame for standard and low profile double Schuko sockets

ETM304P IP20 PC HALOGEN FREE

Colour: white RAL9003 (UV stable), black RAL9016
 Conforms with: RoHS, WEEE
 Fire hazard test: 850°C (IEC60695-2-11)
 Working temperature: -25°C to +60°C
 Installation temperature: -5°C to +25°C

1-way combination frame fitting standard and low profile double Schuko sockets. Suitable for recessed installation or with matching wall casings.

REFERENCE	PACKAGING OPTIONS	
ETM304P	1PCS	400PCS



2x2S frame for standard and low profile double Schuko sockets

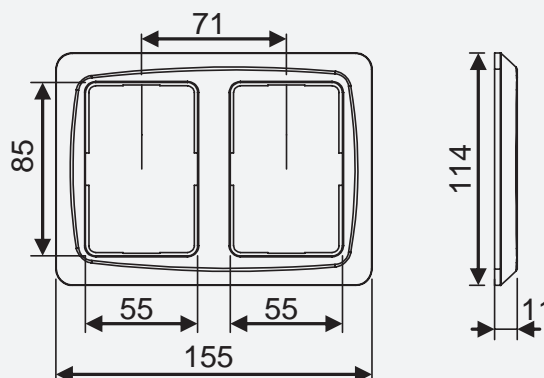
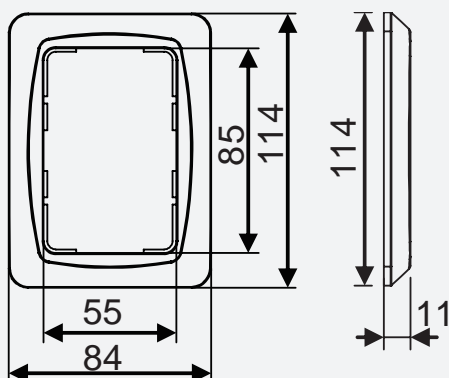
ETM308P IP20 PC HALOGEN FREE

Colour: white RAL9003 (UV stable), black RAL9016
 Conforms with: RoHS, WEEE
 Fire hazard test: 850°C (IEC60695-2-11)
 Working temperature: -25°C to +60°C
 Installation temperature: -5°C to +25°C

2-way combination frame fitting standard and low profile double Schuko sockets. Suitable for recessed installation or with matching wall casings. No extra mounting frame needed - Series P products include it by default.

REFERENCE	PACKAGING OPTIONS	
ETM308P	1PCS	270PCS

Technical drawings





3x2S frame for standard and low profile double Schuko sockets

ETM309P

IP20

PC

HALOGEN FREE

Colour: white RAL9003 (UV stable), black RAL9016
 Conforms with: RoHS, WEEE
 Fire hazard test: 850°C (IEC60695-2-11)
 Working temperature: -25°C to +60°C
 Installation temperature: -5°C to +25°C

3-way combination frame fitting standard and low profile double Schuko sockets. Suitable for recessed installation or with matching wall casings. No extra mounting frame needed - Series P products include it by default.

REFERENCE	PACKAGING OPTIONS	
ETM309P	1PCS	160PCS



4x2S frame for standard and low profile double Schuko sockets

ETM310P

IP20

PC

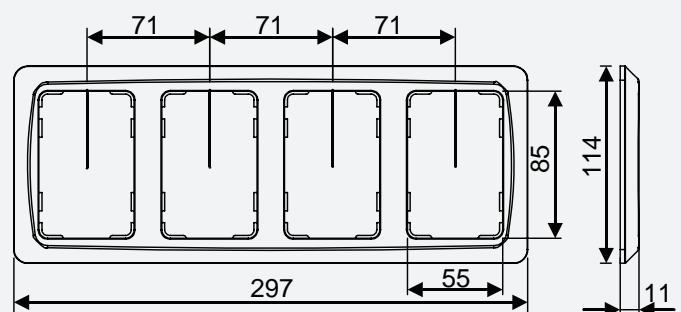
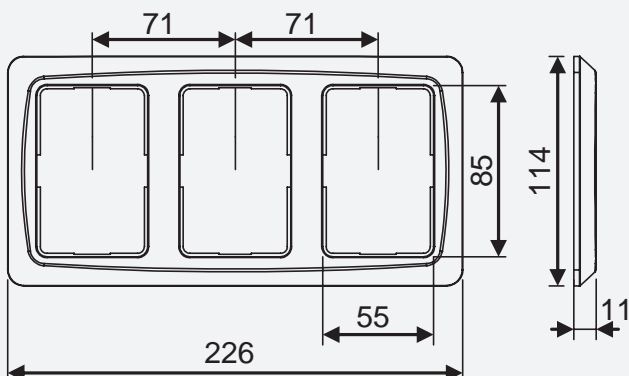
HALOGEN FREE

Colour: white RAL9003 (UV stable), black RAL9016
 Conforms with: RoHS, WEEE
 Fire hazard test: 850°C (IEC60695-2-11)
 Working temperature: -25°C to +60°C
 Installation temperature: -5°C to +25°C

4-way combination frame fitting standard and low profile double Schuko sockets. Suitable for recessed installation or with matching wall casings. No extra mounting frame needed - Series P products include it by default.

REFERENCE	PACKAGING OPTIONS	
ETM310P	1PCS	100PCS

Technical drawings



Frames



3S frame for 3-way Schuko sockets

ETM297P IP20 PC HALOGEN FREE

Colour: white RAL9003 (UV stable), black RAL9016
 Conforms with: RoHS, WEEE
 Fire hazard test: 850°C (IEC60695-2-11)
 Working temperature: -25°C to +60°C
 Installation temperature: -5°C to +25°C

Socket frame designed to fit a 3-way Schuko socket. Provides a secure and precise fit, ensuring stability and protection. Made from durable materials for long-lasting use, offering a clean and professional finish for multi-socket installations.

REFERENCE	PACKAGING OPTIONS
ETM297P	1PCS



3S+S frame for 3-way and 1-way Schuko sockets

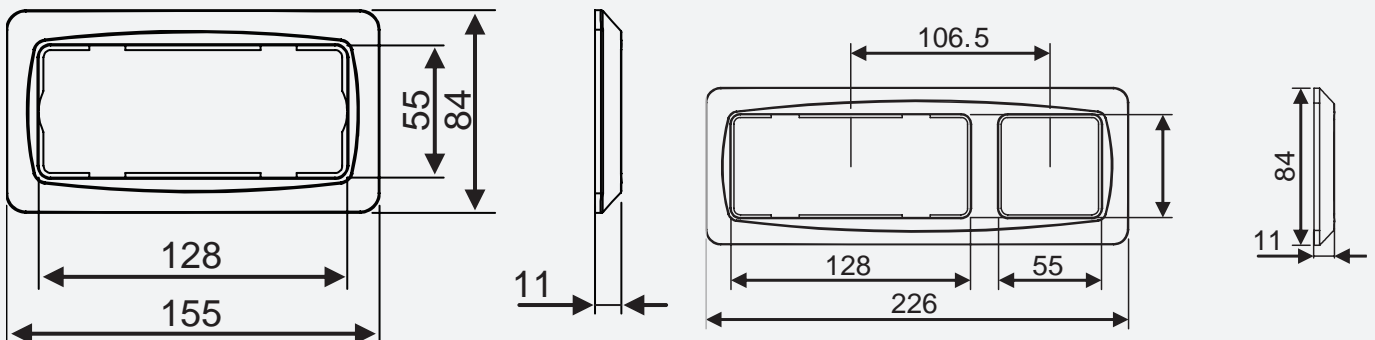
ETM300P IP20 PC HALOGEN FREE

Colour: white RAL9003 (UV stable), black RAL9016
 Conforms with: RoHS, WEEE
 Fire hazard test: 850°C (IEC60695-2-11)
 Working temperature: -25°C to +60°C
 Installation temperature: -5°C to +25°C

Socket frame designed to accommodate both a 3-way Schuko socket and a single standard socket or switch unit. Ensures a secure, precise fit and a neat finish, combining functionality and durability for versatile electrical installations.

REFERENCE	PACKAGING OPTIONS	
ETM300P	1PCS	200PCS

Technical drawings





3S+S+S frame for 3-way and 1-way Schuko sockets

ETM301P IP20 PC HALOGEN FREE

Colour: white RAL9003 (UV stable), black RAL9016
 Conforms with: RoHS, WEEE
 Fire hazard test: 850°C (IEC60695-2-11)
 Working temperature: -25°C to +60°C
 Installation temperature: -5°C to +25°C

Socket frame designed to accommodate a 3-way Schuko socket and two standard socket or switch units. Ensures a secure, precise fit and a neat finish, combining functionality and durability for versatile electrical installations.

REFERENCE	PACKAGING OPTIONS	
ETM301P	1PCS	150PCS



2x3S frame for 3-way Schuko sockets

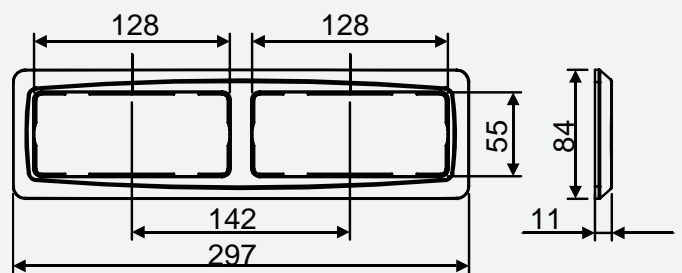
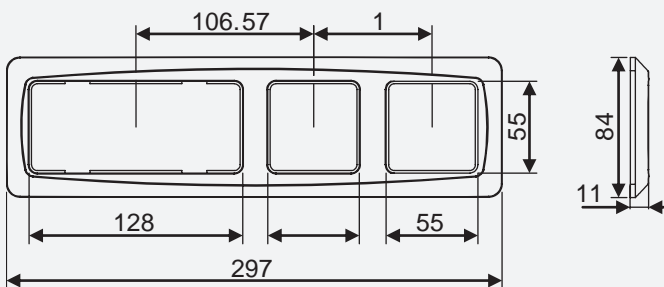
ETM298P IP20 PC HALOGEN FREE

Colour: white RAL9003 (UV stable), black RAL9016
 Conforms with: RoHS, WEEE
 Fire hazard test: 850°C (IEC60695-2-11)
 Working temperature: -25°C to +60°C
 Installation temperature: -5°C to +25°C

Socket frame designed to fit two 3-way Schuko sockets. Provides a secure and precise fit, ensuring stability and protection. Made from durable materials for long-lasting use, offering a clean and professional finish for multi-socket installations.

REFERENCE	PACKAGING OPTIONS	
ETM298P	1PCS	150PCS

Technical drawings



Frames



2x3S+S frame for 3-way and two 1-way Schuko sockets

ETM299P IP20 PC HALOGEN FREE

Colour: white RAL9003 (UV stable), black RAL9016
 Conforms with: RoHS, WEEE
 Fire hazard test: 850°C (IEC60695-2-11)
 Working temperature: -25°C to +60°C
 Installation temperature: -5°C to +25°C

Socket frame designed to accommodate two 3-way Schuko sockets and one standard socket or switch unit. Ensures a secure, precise fit and a neat finish, combining functionality and durability for versatile electrical installations.

REFERENCE	PACKAGING OPTIONS	
ETM299P	1PCS	150PCS



2x3S+S+S frame for 3-way sockets and two 1-way Schuko sockets

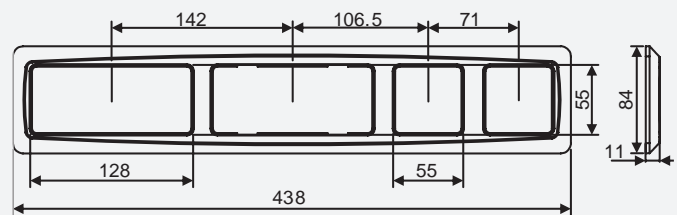
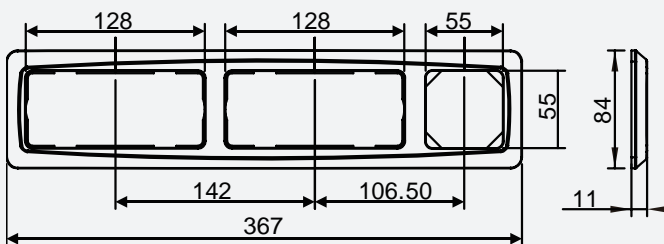
ETM303P IP20 PC HALOGEN FREE

Colour: white RAL9003 (UV stable), black RAL9016
 Conforms with: RoHS, WEEE
 Fire hazard test: 850°C (IEC60695-2-11)
 Working temperature: -25°C to +60°C
 Installation temperature: -5°C to +25°C

Socket frame designed to accommodate two 3-way Schuko sockets and two standard socket or switch units. Ensures a secure, precise fit and a neat finish, combining functionality and durability for versatile electrical installations.

REFERENCE	PACKAGING OPTIONS	
ETM303P	1PCS	90PCS

Technical drawings



Latest additions to our product range



Touch screen digital thermostat 16A

IP20

PC

HALOGEN FREE

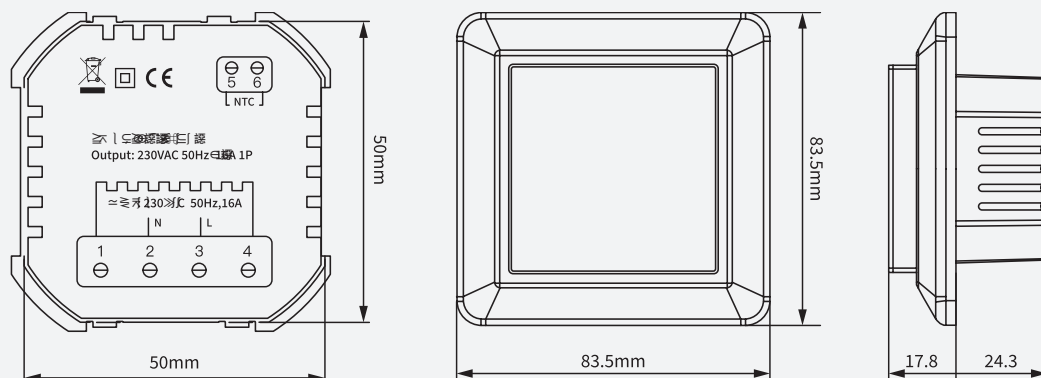
Colour: white, black
 Technical info: 230V/50Hz, 16A, 1-pole relay
 Max load: 3600W
 Standby power consumption: $\leq 0.5W$
 Conforms with: LVD, EMC, EU, RoHS, WEEE
 Complies with the standards: EN IEC 60669-2-1, EN IEC62368-1
 Fire hazard test: 850°C (IEC60695-2-11)
 Working temperature: -25°C to +60°C
 Installation temperature: -5°C to +25°C

This touchscreen digital thermostat combines comfort, safety, and flexibility. It automatically selects room or floor sensors, with a 10kOhm floor sensor included but also compatible with 12/15/47kOhm. Operate in thermostat or regulator mode, adjusting output in percentages. Choose between manual settings using +/- buttons or convenient pre-programmed modes: Home (22°C), Away (15°C), and Auto with night/day setback. Switching between modes is simple with the M button, while manual mode holds your preferred setpoint until changed.



REFERENCE	PACKAGING OPTIONS
5401962	1PCS
5401963	1PCS
5401964	1PCS

Technical drawings



Fuse boxes and cabinets



Smart cabinet SBS 4R 10D for assembly in standard CC60 studwork

1703287

IP2XC

HOT-DIP GALVANIZED STEEL

Base and front with insert are delivered as two different products. If you need a base, this must be ordered separately. This enables you to install the base first without the cabinet and other parts lying loose awaiting assembly. Front with insert can be ordered at a later date.

Keystone patch panel with 10 holes can be removed for full access to the entire low-current field, without removing the front cover. Finished with 3 holes on the other side for mounting sockets. Equalisation connection between earth rail(s) and other metal parts is not necessary, as the cabinet when mounted with base according to the installation manual is mechanically equalised.



TKS 1M TN black cabinet

1704513

IPX4

The cabinet is built in a single-walled design from seawater-resistant aluminum for long-lasting durability. It comes with a bottom insulation plate, where all penetrations, holes, and pipes must be sealed to prevent condensation. A dedicated mounting plate for antennas is included, with 12 mm and 20 mm penetrations.

The cabinet is pre-connected with whips for incoming cables and features 50 mm² connection terminals for outgoing cables. When using the "Integrated Distribution" nameplate, additional consumer circuits can be mounted on the free DIN rail. Supplied pre-connected with one 3P Neozed protection and one 275 V surge protection. Neozed cartridges should be ordered separate separately.

2P2M 15A-CK-KAR circuit breaker

1634587

IP20



The ETB1LM-40 earth-fault circuit interrupter offers broad application possibilities and is approved according to EN 60898 and IEC 61009, making it suitable for both expert and non-expert operation. With a CK characteristic and an I² value of 1.3, it fully complies with NEK400-8-823 requirements for electrical installations in homes.

For safe and reliable connections, a maximum of two conductors of the same type and cross-section may be connected in a single terminal. Aluminum conductors must not be connected directly; approved Al/Cu transitions are required.



Single line surge protection

1634433

IP20

The 275 V 3-pole surge protector is designed for TN networks with distributed earth and is based on reliable varistor technology. It features an alarm contact (NO/NC) for external signaling in case of tripping, ensuring quick detection and response. The unit is equipped with replaceable cartridges, allowing easy replacement of individual cartridges if one or more have tripped, ensuring long service life and minimal downtime.



Adjustable smart cabinet base 10D

1703279

IP2XC

The adjustable base B55 is designed to fit a range of smart cabinets with a width of 55 cm and a depth of 10 cm. Installation is simple: first secure the lower part of the base, then slide the upper part upwards until the arrow on the sticker matches the required cabinet size, according to the adjustment instructions. At the desired position, fasten the upper part with one screw on each side, and then secure the joint in the middle with one screw per side.

Aluminum tape is supplied to cover the center joint for a clean finish. Cable entries at the top and bottom are pre-covered with aluminum tape: 23 x Ø16 mm, 4 x Ø20 mm, 1 x Ø25 mm, 1 x Ø32 mm, 0 x Ø40 mm, and 4 x Ø50 mm.



For the full range of circuit breakers, fuse boxes and cabinets, please contact the sales team on info@glob-el.com.

Blank page with horizontal dotted lines for writing.



E: info@glob-el.com

W: www.glob-el.com